

# AMARCORD wall lamp

Matteo Ugolini design

year 2018

## DATA SHEET - AP121 BF INT

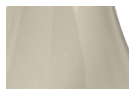
### BASE "A"

material  
colour concrete  
white



### DIFFUSER "B"

material  
colour glass  
smoked

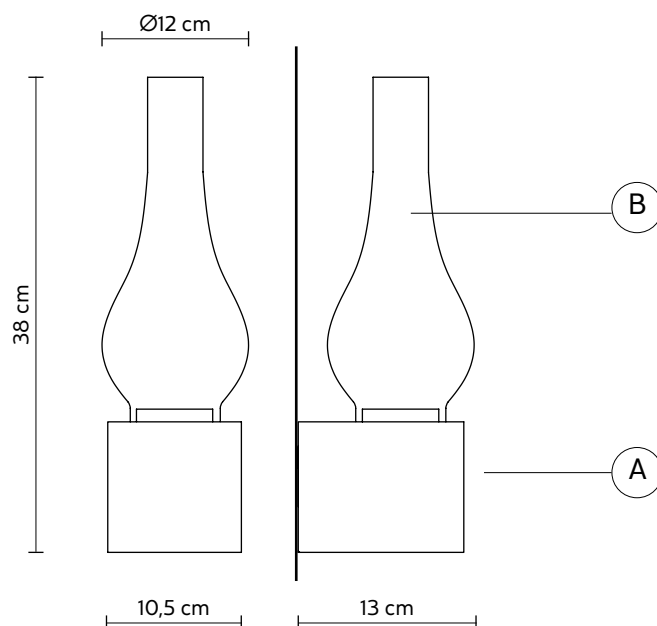


### ELECTRICAL SYSTEM

socket E27  
source 1 x max 52W  
energy class from E to A++

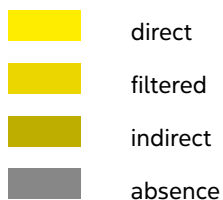
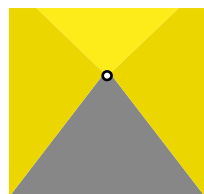
### PACKAGING

n° cartons 2  
net weight/kg 2,2 (A+B)  
gross weight/kg 2,8 (A+B)  
packaging/cm 21x21x20 (A) - 24x24x39 (B)



### LIGHT EMISSION

unidirectional



### COMPLIANT WITH

IEC 60598-1:2014  
EN 60598-1:2015



degree of protection IP20  
bulb optional



article **700P\***  
tungsten filaments  
E27 - 25/40W ≤60lumen  
class E

**\*these items are special,  
decorative bulbs not for  
illumination purposes**



### COLLECTION

also available table lamp version

