

FOGLIO D'ISTRUZIONI

INSTRUCTIONS FOR USE

ATTENZIONE:

LA SICUREZZA DELL'APPARECCHIO E' GARANTITA SOLO CON L'USO APPROPRIATO DELLE SEGUENTI ISTRUZIONI; PERTANTO E' NECESSARIO CONSERVARLE.

WARNING:

SAFETY OF THE DEVICE IS ONLY GUARANTEED WITH APPROPRIATE USE OF THE FOLLOWING INSTRUCTIONS; IT IS THEREFORE NECESSARY TO KEEP THEM FOR FUTURE REFERENCE.

<p>118</p>	<p>175 136 130 118 140</p>	<p>IP 68 10 mt</p>
BH93 - BH94 - BH95 - BH96 - BH97 - BH98		
<p>136</p>	<p>175 136 130 136 140</p>	<p>IP 68 10 mt</p>
BH99 - BI00 - BI01 - BI02 - BI03 - BI04		
<p>176</p>	<p>209 170 170 176 140</p>	<p>IP 68 10 mt</p>
BI05 - BI06 - BI07 - BI08 - BI09 - BI10		

APPLICAZIONE:

APPARECCHIO DA INCASSO A LED DA IMMERSIONE PERMANENTE PER L'ILLUMINAZIONE DI PISCINE PUBBLICHE E PRIVATE. ADATTO PER VASCHE RIVESTITE IN MURATURA O CON TELO SINTETICO (PREVIO L'UTILIZZO DEL KIT ACCESSORIO).

ALIMENTAZIONE:

- QUESTO APPARECCHIO ALIMENTATO IN DC NECESSITA DI UN GRUPPO DI ALIMENTAZIONE ESTERNO DI SICUREZZA SECONDO LA VIGENTE NORMA EN 60598-2-18. SELV.EQUIV.SELV.
- DETTO GRUPPO DOVRA' ESSERE ALLOGGIATO IN AMBIENTE ADEGUATO E PROTETTO SECONDO QUANTO PREVISTO DALLE NORME IMPIANTISTICHE NAZIONALI VIGENTI.

SICUREZZA:

- PER L'INSTALLAZIONE E L'IMPIEGO DI QUESTO PRODOTTO RISPETTARE LE NORME DI SICUREZZA NAZIONALI.
- PER L'INSTALLAZIONE DI QUESTO PRODOTTO NON E' RICHIESTA L'APERTURA DELL'APPARECCHIO IN NESSUNA DELLE SUE PARTI PERTANTO TUTTE LE MODIFICHE APPORTATE ALLO STESSO VENGONO EFFETTUATE SOTTO LA RESPONSABILITA' ESCLUSIVA DI COLUI CHE LE EFFETTUERA'.
- ANCHE NEL CASO IN CUI IL PRODOTTO PRESENTI PROBLEMI NON LO SI DEVE APRIRE O SMONTARE. L'AZIENDA PROVVEDERA' ALLA SOSTITUZIONE IN GARANZIA SOLO SE L'APPARECCHIO DA SOSTITUIRE SARA' INTEGRO.

**NOTE:**

- Sostituire lo schermo di protezione danneggiato. Richiedere le specifiche tecniche al costruttore. Non utilizzare l'apparecchio senza lo schermo
- Per la sostituzione dello schermo contattare IGUZZINI

PURPOSE:

FITTED PERMANENT IMMERSION LED DEVICE FOR PUBLIC AND PRIVATE SWIMMING POOLS LIGHTING. SUITABLE FOR CONCRETE OR SYNTHETIC LINER POOLS (PROVIDED THE ACCESSORY KIT IS USED).

POWER SUPPLY:

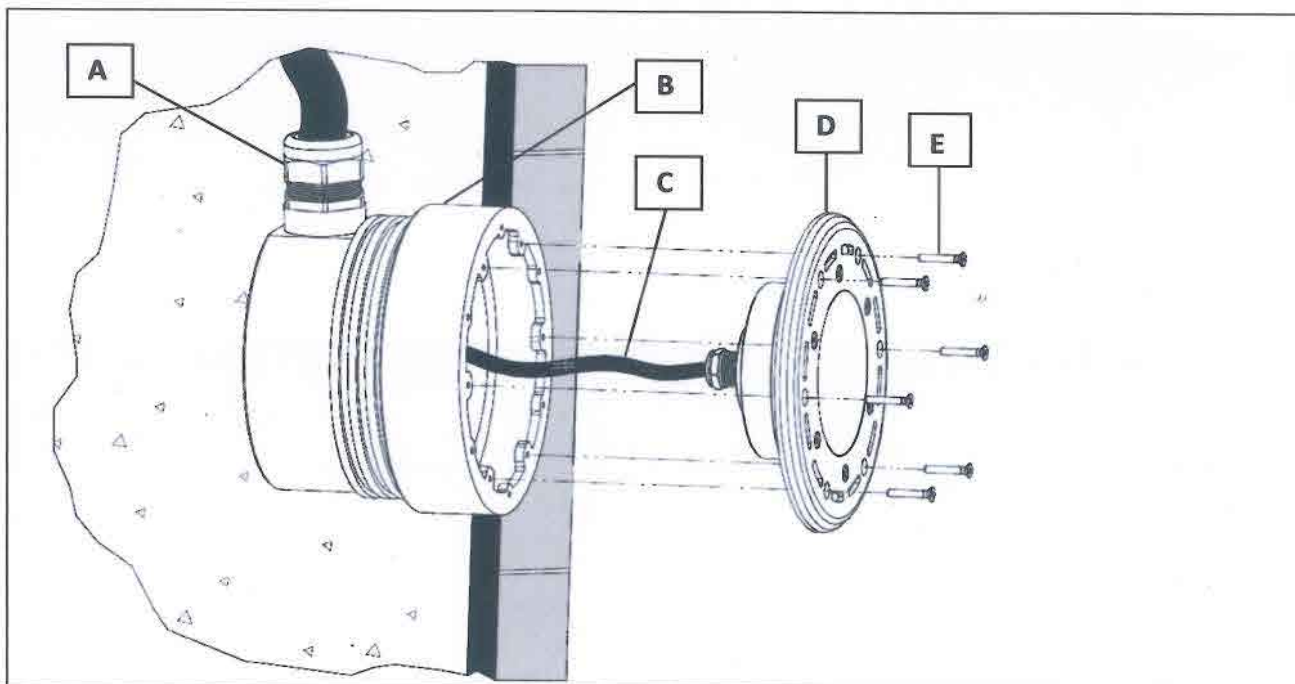
- THIS DEVICE WITH DC POWER REQUIRES AN EMERGENCY EXTERNAL POWER UNIT IN ACCORDANCE WITH THE EN 60598-2-18 REGULATION. SELV.EQUIV.SELV.
- SAID UNIT MUST BE PLACED IN AN APPROPRIATE PROTECTED SPACE IN ACCORDANCE WITH NATIONAL REGULATIONS ON INSTALLATIONS.

SAFETY:

- NATIONAL REGULATIONS ON SAFETY MUST BE COMPLIED WITH DURING THE INSTALLATION AND USE OF THIS PRODUCT.
- THE INSTALLATION OF THIS PRODUCT DOES NOT REQUIRE OPENING THE DEVICE OR ANY OF ITS PARTS, THEREFORE IF ANY MODIFICATIONS ARE OPERATED TO IT THE PERSON WHO MADE THEM WILL TAKE FULL RESPONSIBILITY.
- EVEN IN CASE OF MALFUNCTION DO NOT OPEN OR DISMANTLE THE PRODUCT. THE COMPANY WILL REPLACE IT UNDER WARRANTY ONLY IF THE DEVICE IS UNALTERED.

**NOTES:**

- Replace the damaged protective screen, requesting the technical specifications from the manufacturer. Do not use the luminaire without the screen.
- To replace it, please contact IGUZZINI

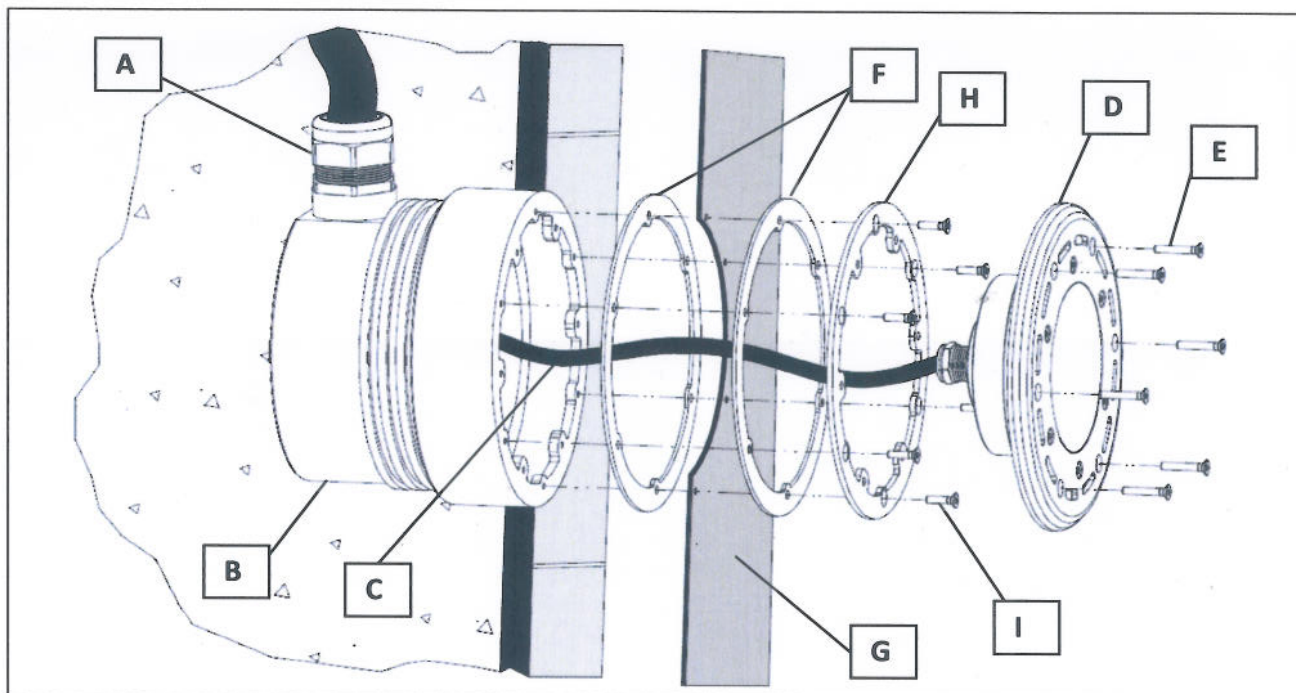


INSTALLAZIONE IN VASCA IN CEMENTO:

- COLLEGARE IL TUBO CORRUGATO AL SERRACAVO PG29 (A)
- POSIZIONARE LA CASSAFORMA (B) E ANNEGARLA NEL CEMENTO. IL PIANO CON LE FORATURE FILETTATE DOVRA' ESSERE A FILO DELLA SUPERFICIE FINITA DELLA PARETE
- BLOCCARE IL SERRACAVO (PG11) INTERNO ALLA CASSAFORMA LASCIANDO UNA SCORTA DI CAVO MINIMA (C)
- INFINE MONTARE L'APPARECCHIO (D) UTILIZZANDO LE VITI IN DOTAZIONE M4X16 (E)

INSTALLATION IN CONCRETE POOL:

- CONNECT THE CORRUGATED PIPE TO THE PG29 CORD GRIP (A)
- POSITION THE FORMWORK (B) AND CEMENT IT. THE AREA WITH THREADED HOLES MUST BE FLUSH WITH THE FINISHED WALL SURFACE.
- LOCK THE CORD GRIP (PG11) INSIDE THE FORMWORK KEEPING A MINIMUM LENGTH OF SPARE CABLE (C)
- ASSEMBLE THE DEVICE (D) USING THE SCREWS M4 X16 PROVIDED (E)

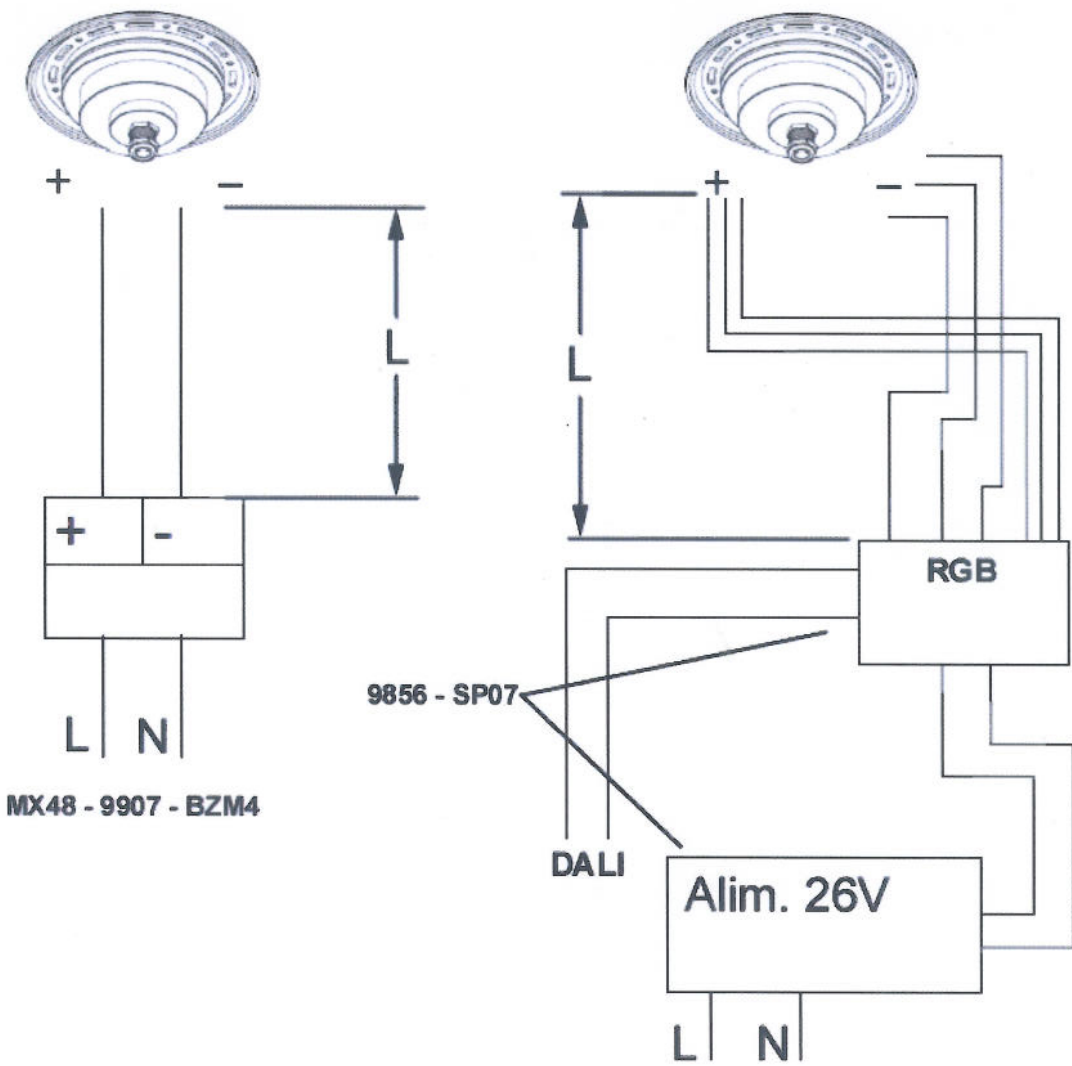


INSTALLAZIONE IN VASCA CON PVC:

- COLLEGARE IL TUBO CORRUGATO AL SERRACAVO PG29 (A)
- POSIZIONARE LA CASSAFORMA (B) E ANNEGARLA NEL CEMENTO. IL PIANO CON LE FORATURE FILETTATE DOVRA' ESSERE A FILO DELLA SUPERFICIE FINITA DELLA PARETE
- POSIZIONARE LA GUAINA ISOLANTE (G) E RITAGLIARE L'APERTURA NECESSARIA IN PROSSIMITA DELLA CASSAFORMA (B).
- ESEGUIRE SULLA GUAINA ISOLANTE (G) LE FORATURE NECESSARIE PER LE VITI (I) (NON INSERIRE LE VITI (I) SENZA AVER PRIMA POSIZIONATO LE GUARNIZIONI SILICONICHE PROTETTIVE) (F).
- FISSARE LA GUAINA ISOLANTE (G) ALLA CASSAFORMA (B) UTILIZZANDO IL KIT IN DOTAZIONE IN QUEST'ORDINE: GUARNIZIONE SILICONICA (F) -GUAINA ISOLANTE (G) - GUARNIZIONE SILICONICA (F) -FLANGIA DI FISSAGGIO (H). PER IL FISSAGGIO UTILIZZARE LE VITI M4X16 IN DOTAZIONE COL L'ALLESTIMENTO STANDARD DELL'INCASSO (I)
- BLOCCARE IL SERRACAVO (PG11) INTERNO ALLA CASSAFORMA LASCIANDO UNA SCORTA DI CAVO MINIMA (C)
- INFINE MONTARE L'APPARECCHIO (D) UTILIZZANDO LE VITI M4X25 (E) CONTENUTE NEL KIT ACCESSORIO GUARNIZIONI PIU' FLANGIA PER INSTALLAZIONE IN PRESENZA DI GUAINA IN PVC.

INSTALLATION IN POOL WITH PVC LINER:

- CONNECT THE CORRUGATED PIPE TO THE PG29 CORD GRIP (A)
- POSITION THE FORMWORK (B) AND CEMENT IT. THE AREA WITH THREADED HOLES MUST BE FLUSH WITH THE FINISHED WALL SURFACE.
- POSITION THE INSULATING PANEL (G) AND CUT THE NECESSARY OPENING BY THE FORMWORK (B).
- MAKE THE NECESSARY HOLES FOR THE SCREWS (I) ON THE INSULATING PANEL (G) (DO NOT INSERT THE SCREWS (I) BEFORE PLACING THE PROTECTIVE SILICONE WASHERS) (F).
- FIX THE INSULATING PANEL (G) TO THE FORMWORK (B) USING THE KIT PROVIDED, IN THIS ORDER: SILICONE WASHER (F) - INSULATING PANEL (G) - SILICONE WASHER (F) -FIXING FLANGE (H). USE THE SCREWS PROVIDED (I) FOR FIXING.
- LOCK THE CORD GRIP (PG11) INSIDE THE FORMWORK KEEPING A MINIMUM LENGTH OF SPARE CABLE (C)
- ASSEMBLE THE DEVICE (D) USING THE SCREWS PROVIDED (E)



	Lmax 50Mt		
	BH93 BH95 BH94 BH96 (1W)	BH99 BI01 BI00 BI02 (3W)	BI05 BI07 BI06 BI08 (9W)
MX48	5	2	NO
9907	9	4	NO
BZM4 *	14	6	5

350mA		Switch			
		1050mA		ECE	
BH93	BH99	BI05	ON	1	2
BH95	BI01	BI07	ON	3	4
BH94	BI00	BI06	ON	5	6
BH96	BI02	BI08	ON	1	2
			ON	3	4
			ON	5	6

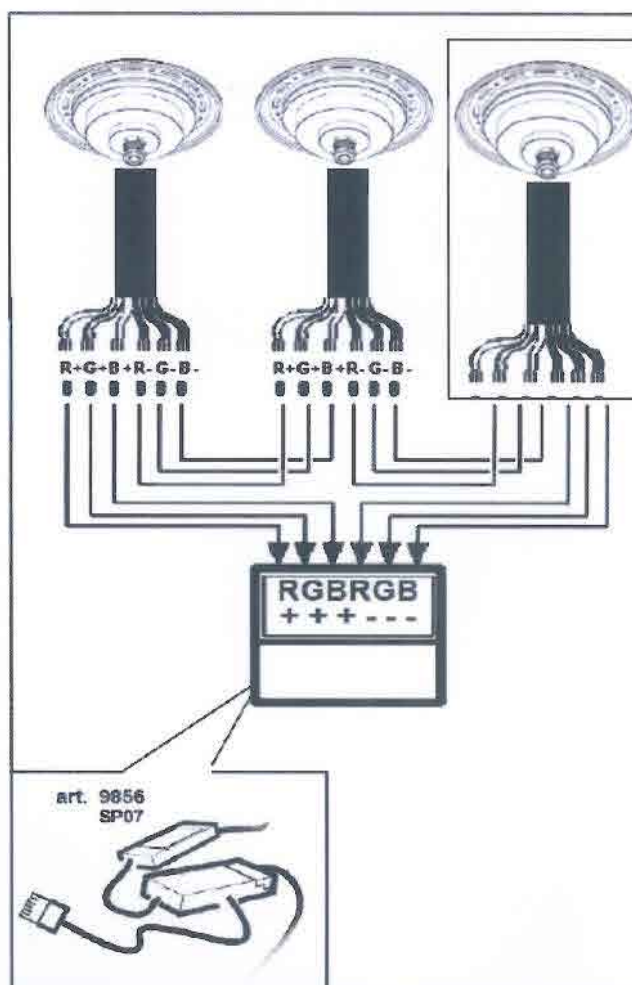
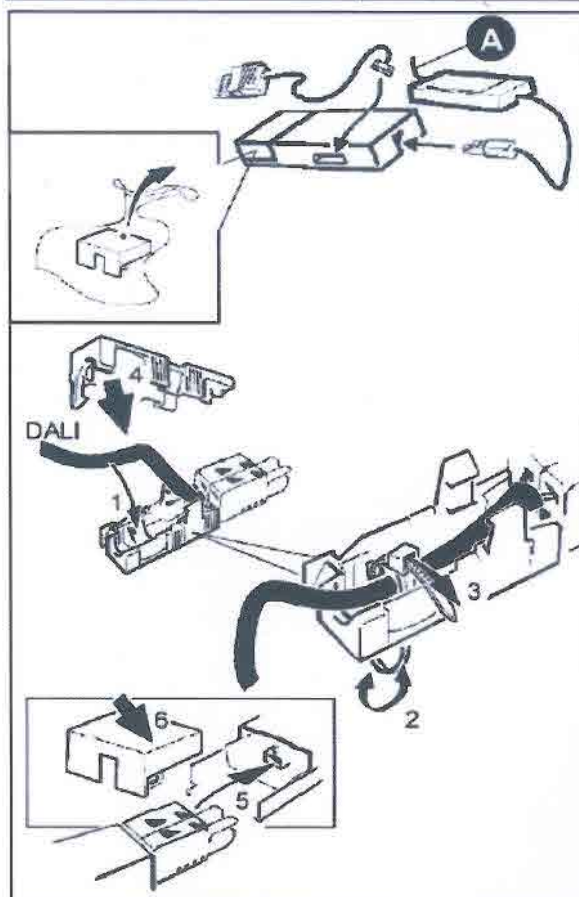
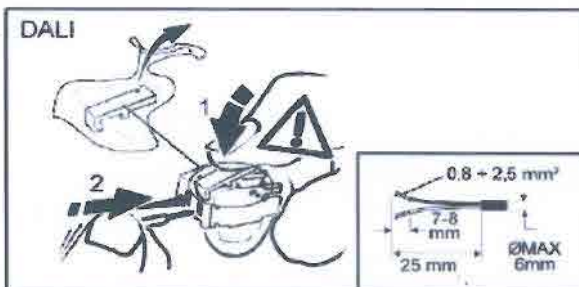
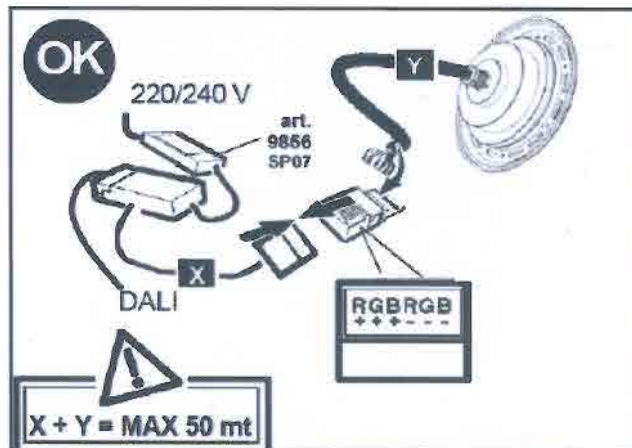
*Modificare la posizione degli switch come indicato in tabella a seconda del prodotto da alimentare

*Modify the position of the switches as stated in the table, according to the product to feed

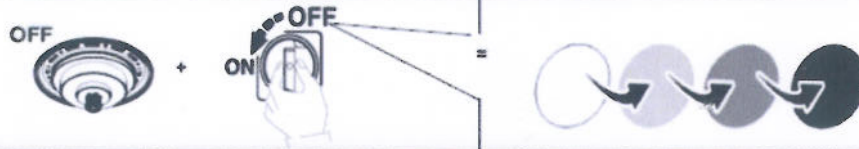
	Alimentatore RGB	
	9856	SP07
BH97	•	NO
BH98	•	NO
BI03	•	NO
BI04	•	NO
BI09	NO	•
BI10	NO	•

	L max 50Mt		
	BH97 BH98	BI03 BI04	BI09 BI10
9856	4	1	NO
SP07	NO	NO	1

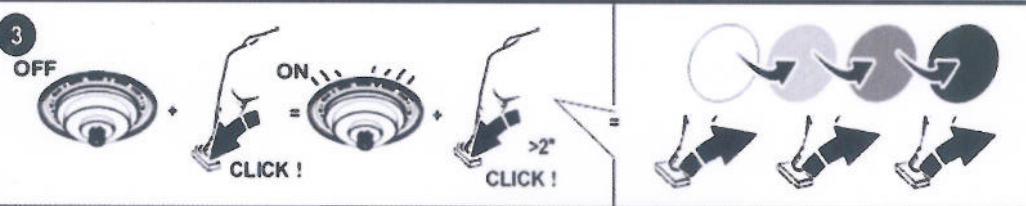
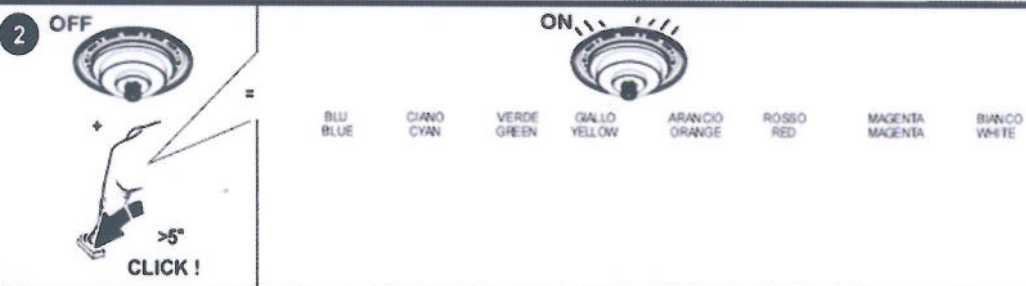
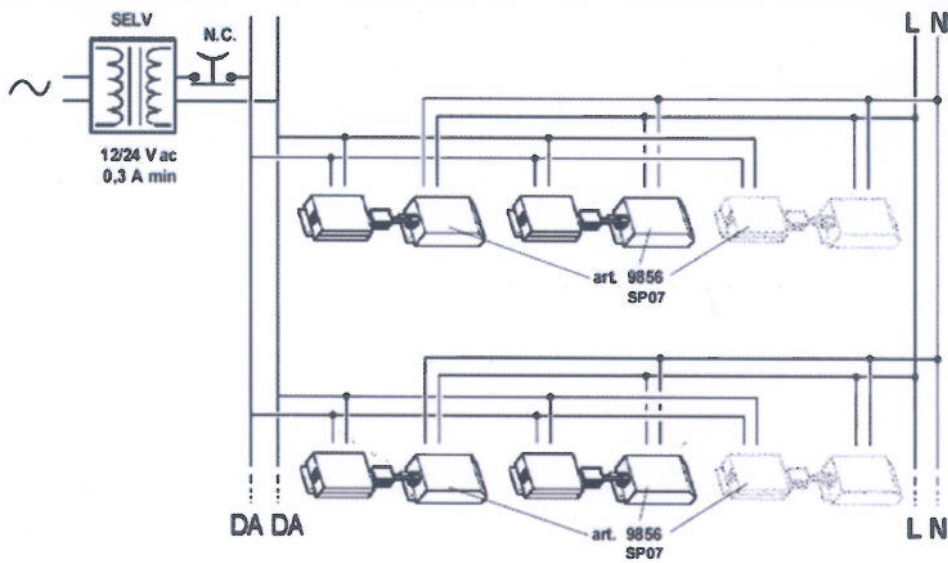
ART.	CARICO DALI / DALI LOAD	INDIRIZZI DALI / DALI ADDRESSES
9856 SP07	1 (2 mA)	3









NO DIRECT DIM / NO DALI



DIRECT DIM



		
BH93	BH99	BI05
BH95	BI01	BI07
BH94	BI00	BI06
BH96	BI02	BI08
BH97	BI03	BI09
BH98	BI04	BI10

BZL8	•	NO	NO		00
BZM1	•	NO	NO		00
BZL9	NO	•	NO		00
BZM2	NO	•	NO		00
BZM0	NO	NO	•		00
BZM3	NO	NO	•		00

تحذير:

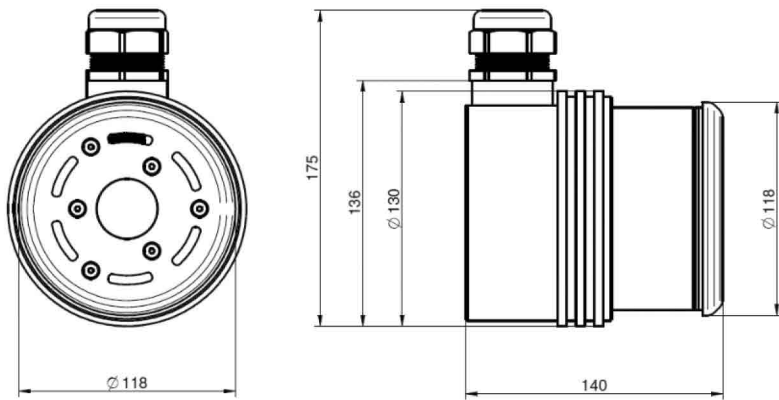
لا يمكن ضمان سلامة هذا الجهاز إلا إذا التزمت بهذه التعليمات. يجب حفظها في مكان آمن.

ATTENZIONE:

LA SICUREZZA DELL'APPARECCHIO E' GARANTITA SOLO CON L'USO APPROPRIATO DELLE SEGUENTI ISTRUZIONI; PERTANTO E' NECESSARIO CONSERVARLE.

WARNING:

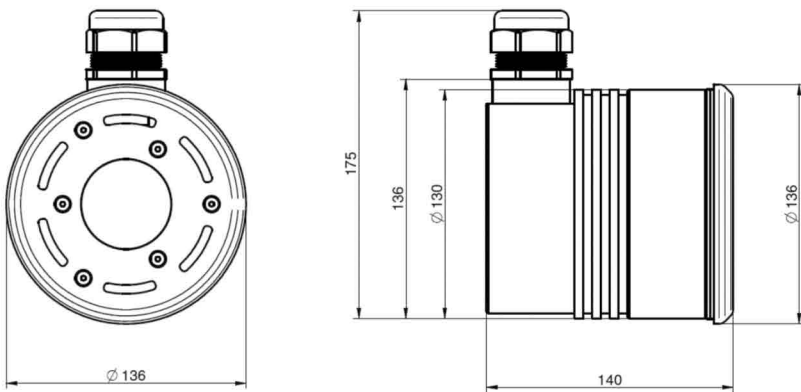
THE SAFETY OF THIS FIXTURE IS GUARANTEED ONLY IF YOU COMPLY WITH THESE INSTRUCTIONS; REMEMBER TO CONSERVE IN A SAFE PLACE.



IP 68 10 mt



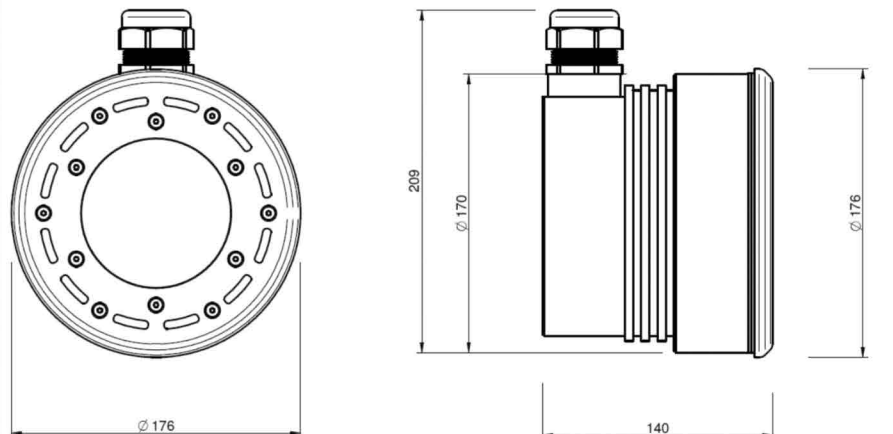
BH93 - BH94 - BH95 - BH96 - BH97 - BH98



IP 68 10 mt



BH99 - BI00 - BI01 - BI02 - BI03 - BI04



IP 68 10 mt



BI05 - BI06 - BI07 - BI08 - BI09 - BI10

التطبيق:

جهاز إضاءة ليد "LED" منمخ للغير الدائم لإضاءة المسابح العامة والخاصة. مناسب للأحواض المثبتة في الجدار أو مع الإغطية الاصطناعية (خاضع لاستخدام مجموعة الملحقات).

APPLICAZIONE:

APPARECCHIO DA INCASSO A LED DA IMMERSIONE PERMANENTE PER L'ILLUMINAZIONE DI PISCINE PUBBLICHE E PRIVATE. ADATTO PER VASCHE RIVESTITE IN MURATURA O CON Telo SINTETICO (PREVIO L'UTILIZZO DEL KIT ACCESSORIO).

PURPOSE:

FITTED PERMANENT IMMERSION LED DEVICE FOR PUBLIC AND PRIVATE SWIMMING POOLS LIGHTING. SUITABLE FOR CONCRETE OR SYNTHETIC LINER POOLS (PROVIDED THE ACCESSORY KIT IS USED).

السلامة:

- ينبغي الامتثال للقواعد المحلية المتعلقة بالأمان لتثبيت واستخدام هذا المنتج.
 - لتثبيت هذا المنتج لا يتطلب الأمر فتح أي من أجزاء الجهاز لذلك يتم إجراء جميع التغييرات المدخلة عليه تحت المسؤولية الحصرية لهؤلاء الذين يقومون بذلك.
 - حتى لو كانت هناك مشاكل في المنتج لا يجب فتحه أو فك مكوناته.
- ستقوم الشركة بالاستبدال فقط وفقاً للضمان في حالة أن الجهاز المطلوب استبداله متكامل.

SICUREZZA:

- **PER L'INSTALLAZIONE E L'IMPIEGO DI QUESTO PRODOTTO RISPETTARE LE NORME DI SICUREZZA NAZIONALI.**
- **PER L'INSTALLAZIONE DI QUESTO PRODOTTO NON E' RICHIESTA L'APERTURA DELL'APPARECCHIO IN NESSUNA DELLE SUE PARTI PERTANTO TUTTE LE MODIFICHE APPORTATE ALLO STESSO VENGONO EFFETTUATE SOTTO LA RESPONSABILITA' ESCLUSIVA DI COLUI CHE LE EFFETTUERA'.**
- **ANCHE NEL CASO IN CUI IL PRODOTTO PRESENTI PROBLEMI NON LO SI DEVE APRIRE O SMONTARE. L'AZIENDA PROVVEDERA' ALLA SOSTITUZIONE IN GARANZIA SOLO SE L'APPARECCHIO DA SOSTITUIRE SARA' INTEGRO.**

SAFETY:

- NATIONAL REGULATIONS ON SAFETY MUST BE COMPLIED WITH DURING THE INSTALLATION AND USE OF THIS PRODUCT.
- THE INSTALLATION OF THIS PRODUCT DOES NOT REQUIRE OPENING THE DEVICE OR ANY OF ITS PARTS, THEREFORE IF ANY MODIFICATIONS ARE OPERATED TO IT THE PERSON WHO MADE THEM WILL TAKE FULL RESPONSIBILITY.
- EVEN IN CASE OF MALFUNCTION DO NOT OPEN OR DISMANTLE THE PRODUCT. THE COMPANY WILL REPLACE IT UNDER WARRANTY ONLY IF THE DEVICE IS UNALTERED.

إمداد الطاقة:

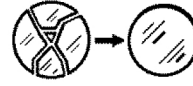
- يتطلب هذا الجهاز العامل بالتيار المستمر مجموعة من إمدادات الطاقة الخارجية للأمان وفقاً للقاعدة الإلزامية السارية. SELV. EQUIV. SELV. EN 60598-2-18.
- يجب تواجد هذه المجموعة في بيئة مناسبة وحمايتها كما هو مطلوب وفقاً للقواعد المعمول بها للتمديدات الكهربائية المحلية.

ALIMENTAZIONE:

- **QUESTO APPARECCHIO ALIMENTATO IN DC NECESSITA DI UN GRUPPO DI ALIMENTAZIONE ESTERNO DI SICUREZZA SECONDO LA VIGENTE NORMA EN 60598-2-18. SELV.EQUIV.SELV.**
- **DETTO GRUPPO DOVRA' ESSERE ALLOGGIATO IN AMBIENTE ADEGUATO E PROTETTO SECONDO QUANTO PREVISTO DALLE NORME IMPIANTISTICHE NAZIONALI VIGENTI.**

POWER SUPPLY:

- THIS DEVICE WITH DC POWER REQUIRES AN EMERGENCY EXTERNAL POWER UNIT IN ACCORDANCE WITH THE EN 60598-2-18 REGULATION. SELV.EQUIV.SELV.
- SAID UNIT MUST BE PLACED IN AN APPROPRIATE PROTECTED SPACE IN ACCORDANCE WITH NATIONAL REGULATIONS ON INSTALLATIONS.



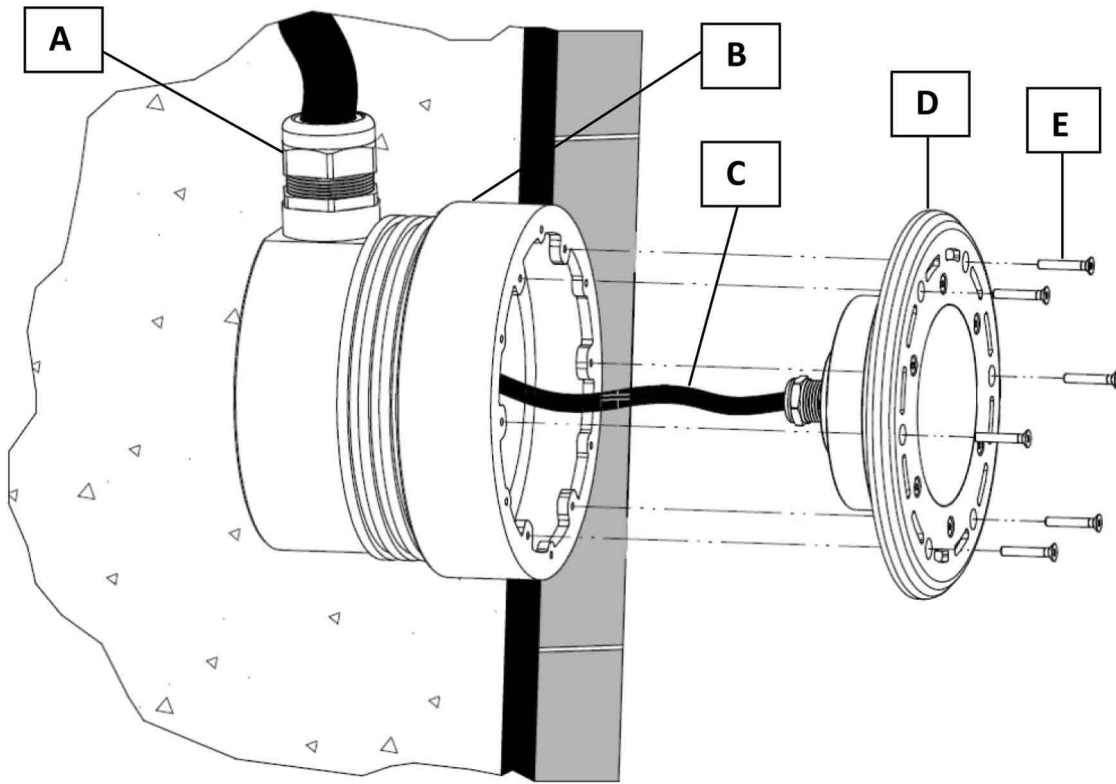
قم بتبديل شاشة الحماية التالفة، واطلب التحديدات التقنية من عر المصنع. لا تستخدم التركيبة الضوئية بدون الشاشة. احرص من تعلف العناصر عند تعرضها للأشعة فوق البنفسجية. لا يمكن استعمال المنتج في حالة كسر الزجاج، وبالتالي يجب الاتصال بالصانع لاستبداله.

NOTE:

- **Sostituire lo schermo di protezione danneggiato. Richiedere le specifiche tecniche al costruttore. Non utilizzare l'apparecchio senza lo schermo**
- **Per la sostituzione dello schermo contattare IGUZZINI**

NOTES:

- **Replace the damaged protective screen, requesting the technical specifications from the manufacturer. Do not use the luminaire without the screen.**
- **To replace it, please contact IGUZZINI**



التثبيت في حوض من الخرسانة:

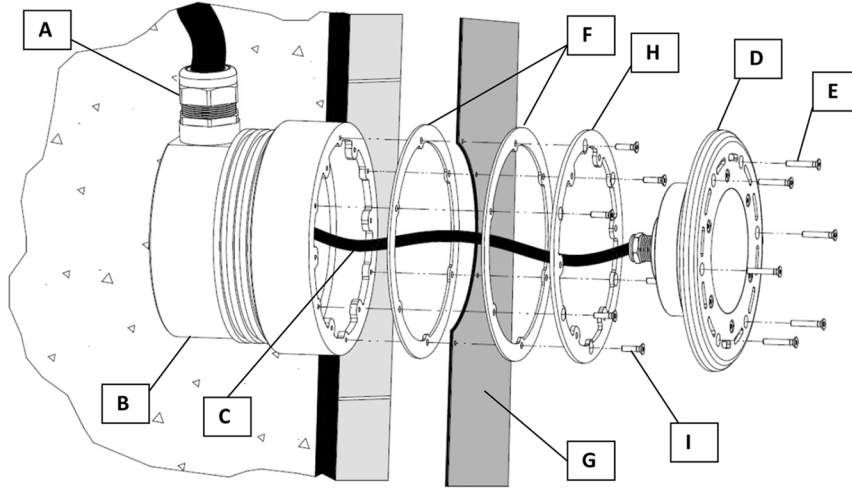
- قم بتوصيل الأنبوب المموج في مشبك تثبيت الكابل PG29 (A)
- ضع قالب التثبيت (B) وأغمره في الخرسانة. يجب أن يكون المستوى ذو الثقوب اللولبية "القلاووظ" مستوي مع السطح النهائي للجدار
- أغلق مشبك تثبيت الكابل (PG11) الداخلي مع قالب التثبيت مع ترك الحد الأدنى لإمداد الكابل (C)
- وأخيراً ثبت الجهاز (D) باستخدام المسامير اللولبية المرفقة M4 × 16 (E)

INSTALLATION IN CONCRETE POOL:

- CONNECT THE CORRUGATED PIPE TO THE PG29 CORD GRIP (A)
- POSITION THE FORMWORK (B) AND CEMENT IT. THE AREA WITH THREADED HOLES MUST BE FLUSH WITH THE FINISHED WALL SURFACE.
- LOCK THE CORD GRIP (PG11) INSIDE THE FORMWORK KEEPING A MINIMUM LENGTH OF SPARE CABLE (C)
- ASSEMBLE THE DEVICE (D) USING THE SCREWS M4 X16 PROVIDED (E)

INSTALLAZIONE IN VASCA IN CEMENTO:

- COLLEGARE IL TUBO CORRUGATO AL SERRACAPO PG29 (A)
- POSIZIONARE LA CASSAFORMA (B) E ANNEGARLA NEL CEMENTO. IL PIANO CON LE FORATURE FILETTATE DOVRA' ESSERE A FILO DELLA SUPERFICIE FINITA DELLA PARETE
- BLOCCARE IL SERRACAPO (PG11) INTERNO ALLA CASSAFORMA LASCIANDO UNA SCORTA DI CAVO MINIMA (C)
- INFINE MONTARE L'APPARECCHIO (D) UTILIZZANDO LE VITI IN DOTAZIONE M4X16 (E)



التثبيت في حوض من البولي كلوريد فينيل:

• قم بتوصيل الأنبوب المموج في مشبك تثبيت الكابل PG29 (A)

• ضع قالب التثبيت (B) وأغمره في الخرسانة. يجب أن يكون المستوى ذو الثقوب اللولبية "القلووظ" مستوي مع السطح النهائي للجدار

• ضع الغلاف العازل (G) واقطع الفتحة اللازمة بالقرب من قالب التثبيت (B).

• قم بعمل الفتحات اللازمة للمسامير اللولبية (I) على الغلاف العازل (لا تضع المسامير اللولبية (I) دون وضع أطواق منع التسرب الوقائية من السليكون أولاً (F)).

• ثبت الغلاف العازل (G) في قالب التثبيت (B) باستخدام المجموعة المرفقة بهذا الترتيب: طوق منع التسرب من السليكون (F) - الغلاف العازل (G) - طوق منع التسرب من السليكون (F) - حافة التركيب البارزة (H). للتثبيت استخدم المسامير اللولبية M4 × 16 الواردة مع التجهيزات القياسية لمجموعة التركيب المدمج (I).

• أغلق مشبك تثبيت الكابل (PG11) داخل لقالب التثبيت مع ترك الحد الأدنى لإمداد الكابل (C).

• وأخيراً ثبت الجهاز (D) باستخدام المسامير اللولبية M4 × 16 ملم (E) الواردة في مجموعة ملحقات أطواق منع التسرب بالإضافة إلى حافة التركيب البارزة وذلك للتركيب في حالة غلاف من البولي كلوريد فينيل.

INSTALLAZIONE IN VASCA CON PVC:

• COLLEGARE IL TUBO CORRUGATO AL SERRACAPO PG29 (A)

• POSIZIONARE LA CASSAFORMA (B) E ANNEGARLA NEL CEMENTO. IL PIANO CON LE FORATURE FILETTATE DOVRA' ESSERE A FILO DELLA SUPERFICIE FINITA DELLA PARETE

• POSIZIONARE LA GUAINA ISOLANTE (G) E RITAGLIARE L'APERTURA NECESSARIA IN PROSSIMITA DELLA CASSAFORMA (B).

• ESEGUIRE SULLA GUAINA ISOLANTE (G) LE FORATURE NECESSARIE PER LE VITI (I) (NON INSERIRE LE VITI (I) SENZA AVER PRIMA POSIZIONATO LE GUARNIZIONI SILICONICHE PROTETTIVE) (F).

• FISSARE LA GUAINA ISOLANTE (G) ALLA CASSAFORMA (B) UTILIZZANDO IL KIT IN DOTAZIONE IN QUEST'ORDINE: GUARNIZIONE SILICONICA (F) -GUAINA ISOLANTE (G) - GUARNIZIONE SILICONICA (F) -FLANGIA DI FISSAGGIO (H). PER IL FISSAGGIO UTILIZZARE LE VITI M4X16 IN DOTAZIONE COL L'ALLESTIMENTO STANDARD DELL'INCASSO (I)

• BLOCCARE IL SERRACAPO (PG11) INTERNO ALLA CASSAFORMA LASCIANDO UNA SCORTA DI CAVO MINIMA (C)

• INFINE MONTARE L'APPARECCHIO (D) UTILIZZANDO LE VITI M4X25 (E) CONTENUTE NEL KIT ACCESSORIO GUARNIZIONI PIU' FLANGIA PER INSTALLAZIONE IN PRESENZA DI GUAINA IN PVC.

INSTALLATION IN POOL WITH PVC LINER:

• CONNECT THE CORRUGATED PIPE TO THE PG29 CORD GRIP (A)

• POSITION THE FORMWORK (B) AND CEMENT IT. THE AREA WITH THREADED HOLES MUST BE FLUSH WITH THE FINISHED WALL SURFACE.

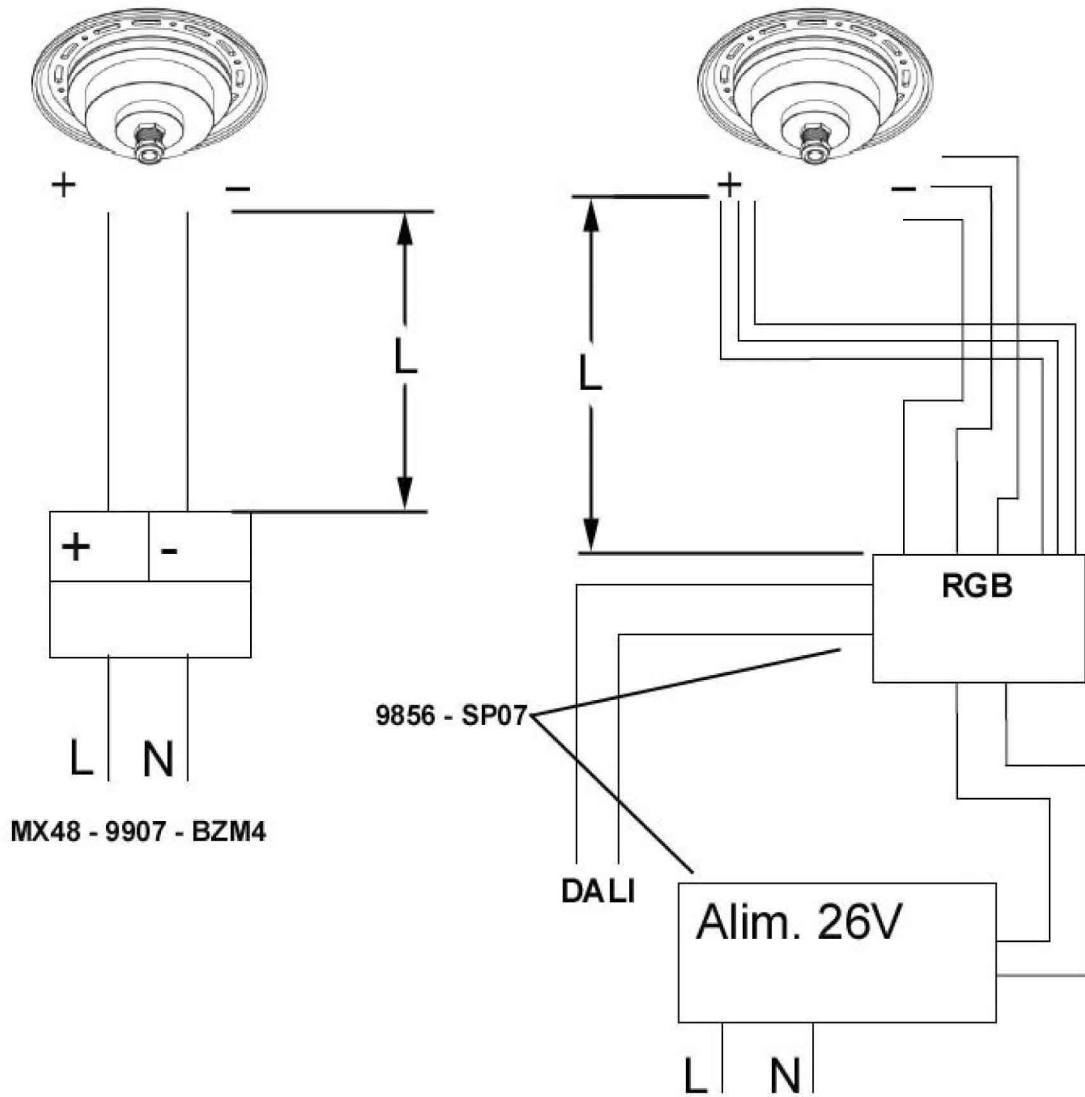
• POSITION THE INSULATING PANEL (G) AND CUT THE NECESSARY OPENING BY THE FORMWORK (B).

• MAKE THE NECESSARY HOLES FOR THE SCREWS (I) ON THE INSULATING PANEL (G) (DO NOT INSERT THE SCREWS (I) BEFORE PLACING THE PROTECTIVE SILICONE WASHERS) (F).

• FIX THE INSULATING PANEL (G) TO THE FORMWORK (B) USING THE KIT PROVIDED, IN THIS ORDER: SILICONE WASHER (F) - INSULATING PANEL (G) - SILICONE WASHER (F) -FIXING FLANGE (H). USE THE SCREWS PROVIDED (I) FOR FIXING.

• LOCK THE CORD GRIP (PG11) INSIDE THE FORMWORK KEEPING A MINIMUM LENGTH OF SPARE CABLE (C)

• ASSEMBLE THE DEVICE (D) USING THE SCREWS PROVIDED (E)



	Lmax 50Mt		
	BH93	BH99	BI05
	BH95	BI01	BI07
	BH94	BI00	BI06
	BH96	BI02	BI08
	(1W)	(3W)	(9W)
MX48	5	2	NO
9907	9	4	NO
BZM4 *	14	6	5

Switch					
350mA			1050mA		
BH93	BH99	BI05			
BH95	BI01	BI07			
BH94	BI00	BI06			
BH96	BI02	BI08			
ON		ECE	ON		ECE
1	2	3	4	5	6
1	2	3	4	5	6

* قم بتغيير وضع مفتاح التبديل كما هو مبين في الجدول وفقاً للمنتج المراد إمداده بالطاقة

*Modificare la posizione degli switch come indicato in tabella a seconda del prodotto da alimentare

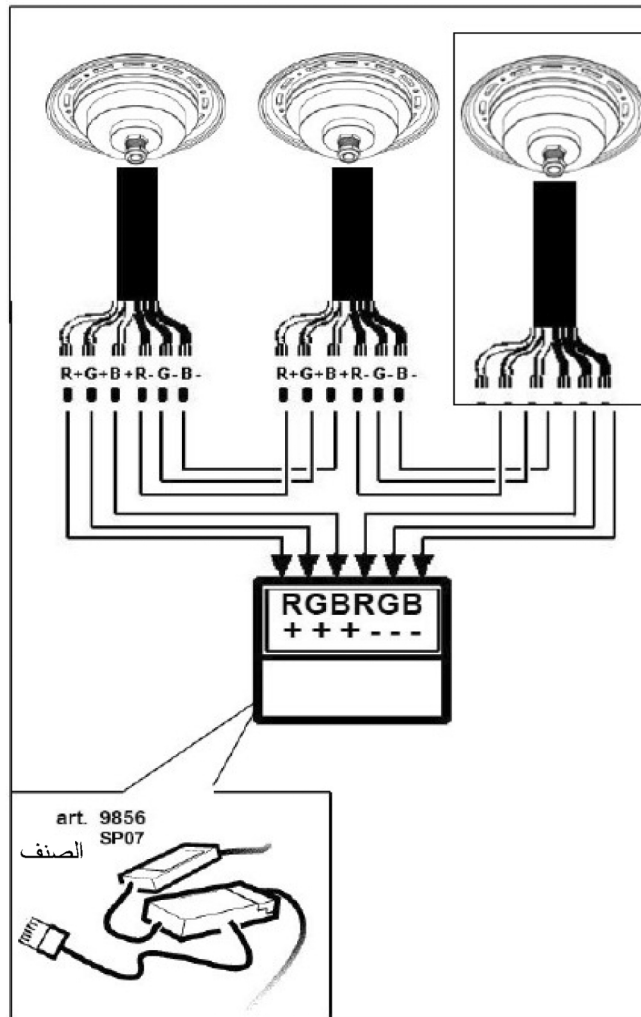
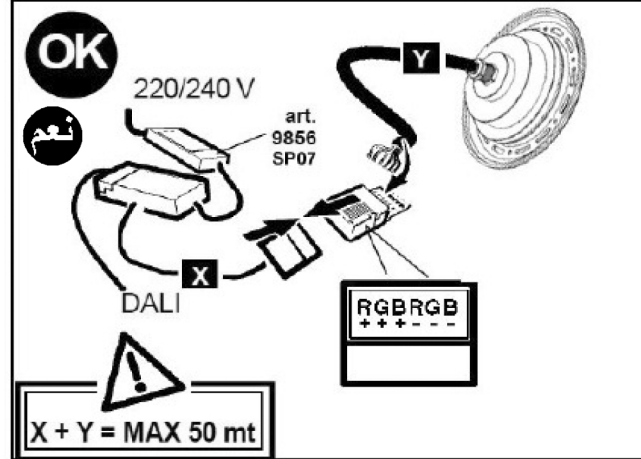
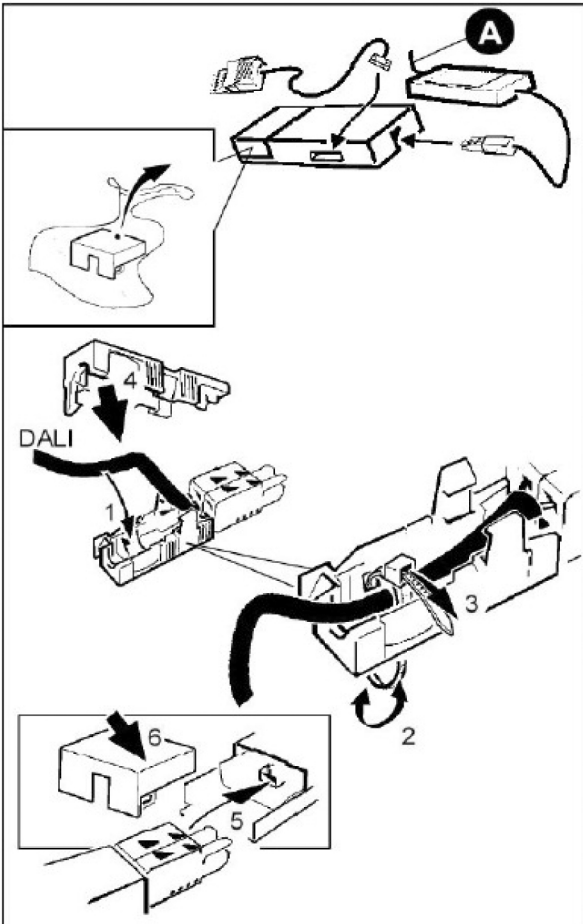
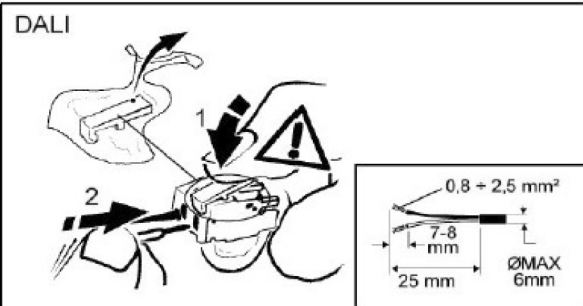
*Modify the position of the switches as stated in the table, according to the product to feed

كابج

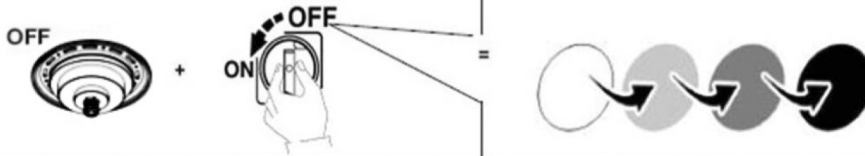
	Alimentatore RGB	
	9856	SP07
BH97	*	NO
BH98	*	NO
BI03	*	NO
BI04	*	NO
BI09	NO	*
BI10	NO	*

	L max 50Mt		
	BH97 BH98	BI03 BI04	BI09 BI10
9856	4	1	NO
SP07	NO	NO	1

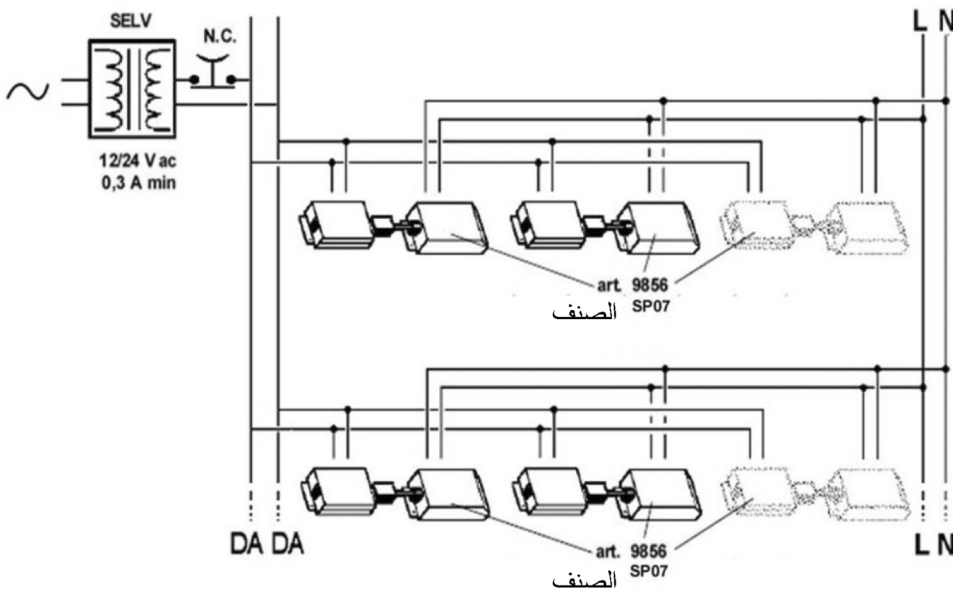
الصفحة ART.	شحنة DALI / جم DALI CARICO DALI / DALI LOAD	عناوين DALI INDIRIZZI DALI DALI ADDRESSES
9856 SP07	1 (2 mA)	3











NO DIRECT DIM / NO DALI



DIRECT DIM



		
BH93	BH99	BI05
BH95	BI01	BI07
BH94	BI00	BI06
BH96	BI02	BI08
BH97	BI03	BI09
BH98	BI04	BI10

BZL8	•	NO	NO		00
BZM1	•	NO	NO		00
BZL9	NO	•	NO		00
BZM2	NO	•	NO		00
BZM0	NO	NO	•		00
BZM3	NO	NO	•		00

I PERIODO GIORNALIERO DI ACCENSIONE AMMESSO

GB ALLOWED DAILY OPERATION PERIOD

F DURÉE QUOTIDIENNE D'ALLUMAGE ADMISSIBLE

D ERLAUBTE TÄGLICHE EINSCHALTDAUER

NL DAGELIJKSE ONTSTEKINGSPERIODE TOEGESTAAN

E PERIODO DIARIO DE ENCENDIDO PERMITIDO

DK TILLADT TIDSRUM FOR DAGLIG TÆNDING

N TILLÄTT TENNINGSTID PR. DAG

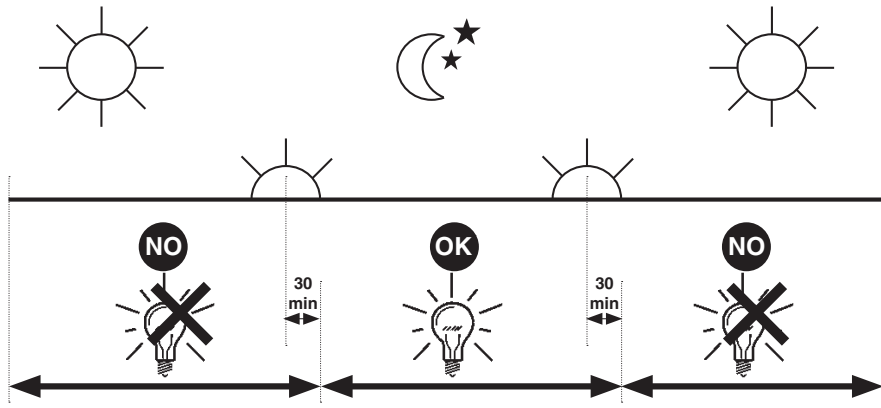
S TILLÄTEN DAGLIG PERIOD SOM PRODUKTEN KAN VARA TÄND

RUS ЕЖЕДНЕВНАЯ ДОПУСТИМАЯ ПРОДОЛЖИТЕЛЬНОСТЬ РАБОТЫ

CN 允许的日常运营周期

iGuzzini

1.154.627.01
IS09175/01



I PERIODO GIORNALIERO DI ACCENSIONE AMMESSO

GB ALLOWED DAILY OPERATION PERIOD

F DURÉE QUOTIDIENNE D'ALLUMAGE ADMISSIBLE

D ERLAUBTE TÄGLICHE EINSCHALTDAUER

NL DAGELIJKSE ONTSTEKINGSPERIODE TOEGESTAAN

E PERIODO DIARIO DE ENCENDIDO PERMITIDO

DK TILLADT TIDSRUM FOR DAGLIG TÆNDING

N TILLÄTT TENNINGSTID PR. DAG

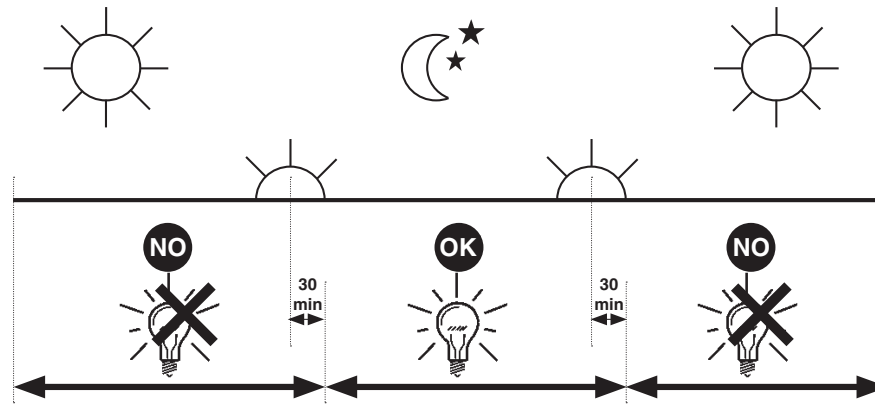
S TILLÄTEN DAGLIG PERIOD SOM PRODUKTEN KAN VARA TÄND

RUS ЕЖЕДНЕВНАЯ ДОПУСТИМАЯ ПРОДОЛЖИТЕЛЬНОСТЬ РАБОТЫ

CN 允许的日常运营周期

iGuzzini

1.154.627.01
IS09175/01



I PERIODO GIORNALIERO DI ACCENSIONE AMMESSO

GB ALLOWED DAILY OPERATION PERIOD

F DURÉE QUOTIDIENNE D'ALLUMAGE ADMISSIBLE

D ERLAUBTE TÄGLICHE EINSCHALTDAUER

NL DAGELIJKSE ONTSTEKINGSPERIODE TOEGESTAAN

E PERIODO DIARIO DE ENCENDIDO PERMITIDO

DK TILLADT TIDSRUM FOR DAGLIG TÆNDING

N TILLÄTT TENNINGSTID PR. DAG

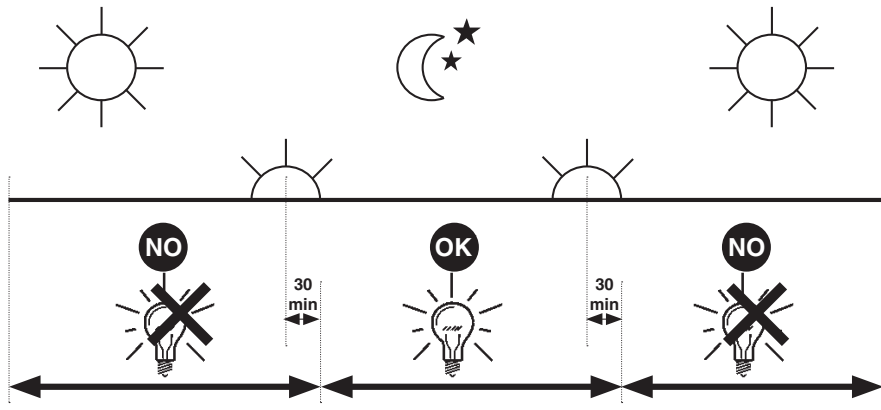
S TILLÄTEN DAGLIG PERIOD SOM PRODUKTEN KAN VARA TÄND

RUS ЕЖЕДНЕВНАЯ ДОПУСТИМАЯ ПРОДОЛЖИТЕЛЬНОСТЬ РАБОТЫ

CN 允许的日常运营周期

iGuzzini

1.154.627.01
IS09175/01



I PERIODO GIORNALIERO DI ACCENSIONE AMMESSO

GB ALLOWED DAILY OPERATION PERIOD

F DURÉE QUOTIDIENNE D'ALLUMAGE ADMISSIBLE

D ERLAUBTE TÄGLICHE EINSCHALTDAUER

NL DAGELIJKSE ONTSTEKINGSPERIODE TOEGESTAAN

E PERIODO DIARIO DE ENCENDIDO PERMITIDO

DK TILLADT TIDSRUM FOR DAGLIG TÆNDING

N TILLÄTT TENNINGSTID PR. DAG

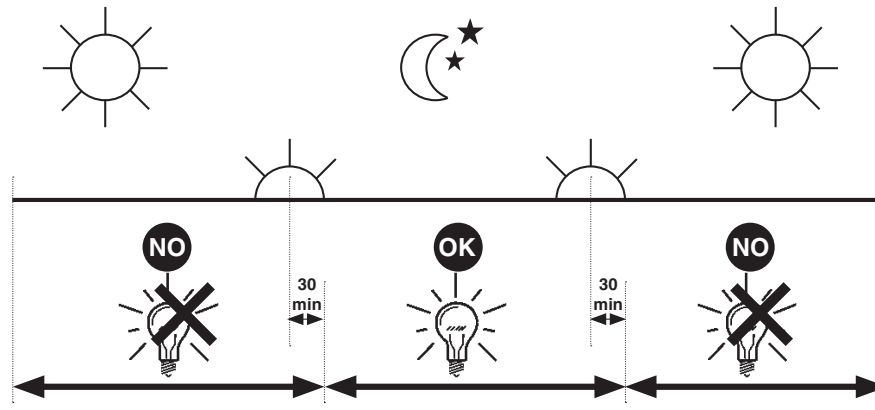
S TILLÄTEN DAGLIG PERIOD SOM PRODUKTEN KAN VARA TÄND

RUS ЕЖЕДНЕВНАЯ ДОПУСТИМАЯ ПРОДОЛЖИТЕЛЬНОСТЬ РАБОТЫ

CN 允许的日常运营周期

iGuzzini

1.154.627.01
IS09175/01



1.154.544.00

IS00766/05

SOSTITUZIONE DEL LED
REPLACING THE LED
REPLACEMENT DE LA LED
AUSTAUSCHEN DER LED
VERVANGEN VAN DE LED
REEMPLAZO DEL LED
UDSKIFTNING AF LYSDIODE
BYTE AV LYSDIOD
UTSKIFTING AV DEN LYSEMITTERENDE DIODEN
ЗАМЕНА СИДа
发光二极管替换

I N.B.: Per la sostituzione del LED contattare l'azienda iGuzzini.

GB N.B.: For information on LED replacement please contact iGuzzini.

F N.B.: Pour procéder au remplacement de la LED, adressez-vous à la société iGuzzini.

D N.B.: Bezüglich des Austausches der LED kontaktieren Sie bitte die Firma iGuzzini.

NL N.B.: Voor het vervangen van de LED neemt u contact op met het bedrijf iGuzzini.

E NOTA: Para sustituir el LED llame a la empresa iGuzzini.

DK N.B.: For udskiftning af lysdioden, skal man kontakte iGuzzini.

N N.B.: For informasjon om skifte av LED, vennligst ta kontakt med iGuzzini.

S OBS! För byte av lysdioden, kontakta företaget iGuzzini.

RUS ПРИМЕЧАНИЕ:Для замены СИДов обращайтесь в компанию iGuzzini.

CN 注意: 如需LED更换的信息, 请联系iGuzzini.

I Gruppo di rischio 1, secondo norma **EN 62471: 2008**
GB Risk Group: 1, in compliance with Standard **EN 62471: 2008**
FR Groupe de risque 1, suivant la norme **EN 62471 : 2008**
DE Risikogruppe 1, gemäß Vorschrift **EN 62471: 2008**
NL Risicogroep 1, volgens de norm **EN 62471: 2008**
E Grupo de riesgo 1, según norma **EN 62471: 2008**
DK Faregruppe 1 i henhold til standarden **EN 62471: 2008**
N Risikogruppe 1, i henhold til forskriften **EN 62471: 2008**
S Riskgrupp 1, enligt standard **EN 62471: 2008**
RUS ГРУПП РИСК 1 В СООТВЕТСТВИИ СО **EN 62471: 2008**

CN 风险组:1
灯具和灯具系统的光生物学安全性符合标准 **EN 62471: 2008**

iGuzzini

1.154.544.00

IS00766/05

SOSTITUZIONE DEL LED
REPLACING THE LED
REPLACEMENT DE LA LED
AUSTAUSCHEN DER LED
VERVANGEN VAN DE LED
REEMPLAZO DEL LED
UDSKIFTNING AF LYSDIODE
BYTE AV LYSDIOD
UTSKIFTING AV DEN LYSEMITTERENDE DIODEN
ЗАМЕНА СИДа
发光二极管替换

I N.B.: Per la sostituzione del LED contattare l'azienda iGuzzini.

GB N.B.: For information on LED replacement please contact iGuzzini.

F N.B.: Pour procéder au remplacement de la LED, adressez-vous à la société iGuzzini.

D N.B.: Bezüglich des Austausches der LED kontaktieren Sie bitte die Firma iGuzzini.

NL N.B.: Voor het vervangen van de LED neemt u contact op met het bedrijf iGuzzini.

E NOTA: Para sustituir el LED llame a la empresa iGuzzini.

DK N.B.: For udskiftning af lysdioden, skal man kontakte iGuzzini.

N N.B.: For informasjon om skifte av LED, vennligst ta kontakt med iGuzzini.

S OBS! För byte av lysdioden, kontakta företaget iGuzzini.

RUS ПРИМЕЧАНИЕ:Для замены СИДов обращайтесь в компанию iGuzzini.

CN 注意: 如需LED更换的信息, 请联系iGuzzini.

I Gruppo di rischio 1, secondo norma **EN 62471: 2008**
GB Risk Group: 1, in compliance with Standard **EN 62471: 2008**
FR Groupe de risque 1, suivant la norme **EN 62471 : 2008**
DE Risikogruppe 1, gemäß Vorschrift **EN 62471: 2008**
NL Risicogroep 1, volgens de norm **EN 62471: 2008**
E Grupo de riesgo 1, según norma **EN 62471: 2008**
DK Faregruppe 1 i henhold til standarden **EN 62471: 2008**
N Risikogruppe 1, i henhold til forskriften **EN 62471: 2008**
S Riskgrupp 1, enligt standard **EN 62471: 2008**
RUS ГРУПП РИСК 1 В СООТВЕТСТВИИ СО **EN 62471: 2008**

CN 风险组:1
灯具和灯具系统的光生物学安全性符合标准 **EN 62471: 2008**

iGuzzini

1.154.544.00

IS00766/05

SOSTITUZIONE DEL LED
REPLACING THE LED
REPLACEMENT DE LA LED
AUSTAUSCHEN DER LED
VERVANGEN VAN DE LED
REEMPLAZO DEL LED
UDSKIFTNING AF LYSDIODE
BYTE AV LYSDIOD
UTSKIFTING AV DEN LYSEMITTERENDE DIODEN
ЗАМЕНА СИДа
发光二极管替换

I N.B.: Per la sostituzione del LED contattare l'azienda iGuzzini.

GB N.B.: For information on LED replacement please contact iGuzzini.

F N.B.: Pour procéder au remplacement de la LED, adressez-vous à la société iGuzzini.

D N.B.: Bezüglich des Austausches der LED kontaktieren Sie bitte die Firma iGuzzini.

NL N.B.: Voor het vervangen van de LED neemt u contact op met het bedrijf iGuzzini.

E NOTA: Para sustituir el LED llame a la empresa iGuzzini.

DK N.B.: For udskiftning af lysdioden, skal man kontakte iGuzzini.

N N.B.: For informasjon om skifte av LED, vennligst ta kontakt med iGuzzini.

S OBS! För byte av lysdioden, kontakta företaget iGuzzini.

RUS ПРИМЕЧАНИЕ:Для замены СИДов обращайтесь в компанию iGuzzini.

CN 注意: 如需LED更换的信息, 请联系iGuzzini.

I Gruppo di rischio 1, secondo norma **EN 62471: 2008**
GB Risk Group: 1, in compliance with Standard **EN 62471: 2008**
FR Groupe de risque 1, suivant la norme **EN 62471 : 2008**
DE Risikogruppe 1, gemäß Vorschrift **EN 62471: 2008**
NL Risicogroep 1, volgens de norm **EN 62471: 2008**
E Grupo de riesgo 1, según norma **EN 62471: 2008**
DK Faregruppe 1 i henhold til standarden **EN 62471: 2008**
N Risikogruppe 1, i henhold til forskriften **EN 62471: 2008**
S Riskgrupp 1, enligt standard **EN 62471: 2008**
RUS ГРУПП РИСК 1 В СООТВЕТСТВИИ СО **EN 62471: 2008**

CN 风险组:1
灯具和灯具系统的光生物学安全性符合标准 **EN 62471: 2008**

iGuzzini

2.509.216.00
IS05718/01

استبدال الضوء LED
SOSTITUZIONE DEL LED
REPLACING THE LED
REEMPLAZO DEL LED

تنبیه: لاستبدال الضوء LED اتصل بشركة iGuzzini .

I N.B.: Per la sostituzione del LED contattare l'azienda iGuzzini.

GB N.B.: For information on LED replacement please contact iGuzzini.

E NOTA: Para sustituir el LED llame a la empresa iGuzzini.

فئة الخطر 1 . حسب مقاييس EN 62471: 2008 .

I Gruppo di rischio 1, secondo norma EN 62471: 2008

GB Risk Group: 1, in compliance with Standard EN 62471: 2008

E Grupo de riesgo 1, según norma EN 62471: 2008

iGuzzini

2.509.216.00
IS05718/01

استبدال الضوء LED
SOSTITUZIONE DEL LED
REPLACING THE LED
REEMPLAZO DEL LED

تنبیه: لاستبدال الضوء LED اتصل بشركة iGuzzini .

I N.B.: Per la sostituzione del LED contattare l'azienda iGuzzini.

GB N.B.: For information on LED replacement please contact iGuzzini.

E NOTA: Para sustituir el LED llame a la empresa iGuzzini.

فئة الخطر 1 . حسب مقاييس EN 62471: 2008 .

I Gruppo di rischio 1, secondo norma EN 62471: 2008

GB Risk Group: 1, in compliance with Standard EN 62471: 2008

E Grupo de riesgo 1, según norma EN 62471: 2008

iGuzzini

2.509.216.00
IS05718/01

استبدال الضوء LED
SOSTITUZIONE DEL LED
REPLACING THE LED
REEMPLAZO DEL LED

تنبیه: لاستبدال الضوء LED اتصل بشركة iGuzzini .

I N.B.: Per la sostituzione del LED contattare l'azienda iGuzzini.

GB N.B.: For information on LED replacement please contact iGuzzini.

E NOTA: Para sustituir el LED llame a la empresa iGuzzini.

فئة الخطر 1 . حسب مقاييس EN 62471: 2008 .

I Gruppo di rischio 1, secondo norma EN 62471: 2008

GB Risk Group: 1, in compliance with Standard EN 62471: 2008

E Grupo de riesgo 1, según norma EN 62471: 2008

iGuzzini

2.509.216.00
IS05718/01

استبدال الضوء LED
SOSTITUZIONE DEL LED
REPLACING THE LED
REEMPLAZO DEL LED

تنبیه: لاستبدال الضوء LED اتصل بشركة iGuzzini .

I N.B.: Per la sostituzione del LED contattare l'azienda iGuzzini.

GB N.B.: For information on LED replacement please contact iGuzzini.

E NOTA: Para sustituir el LED llame a la empresa iGuzzini.

فئة الخطر 1 . حسب مقاييس EN 62471: 2008 .

I Gruppo di rischio 1, secondo norma EN 62471: 2008

GB Risk Group: 1, in compliance with Standard EN 62471: 2008

E Grupo de riesgo 1, según norma EN 62471: 2008

iGuzzini

2.509.216.00
IS05718/01

استبدال الضوء LED
SOSTITUZIONE DEL LED
REPLACING THE LED
REEMPLAZO DEL LED

تنبیه: لاستبدال الضوء LED اتصل بشركة iGuzzini .

I N.B.: Per la sostituzione del LED contattare l'azienda iGuzzini.

GB N.B.: For information on LED replacement please contact iGuzzini.

E NOTA: Para sustituir el LED llame a la empresa iGuzzini.

فئة الخطر 1 . حسب مقاييس EN 62471: 2008 .

I Gruppo di rischio 1, secondo norma EN 62471: 2008

GB Risk Group: 1, in compliance with Standard EN 62471: 2008

E Grupo de riesgo 1, según norma EN 62471: 2008

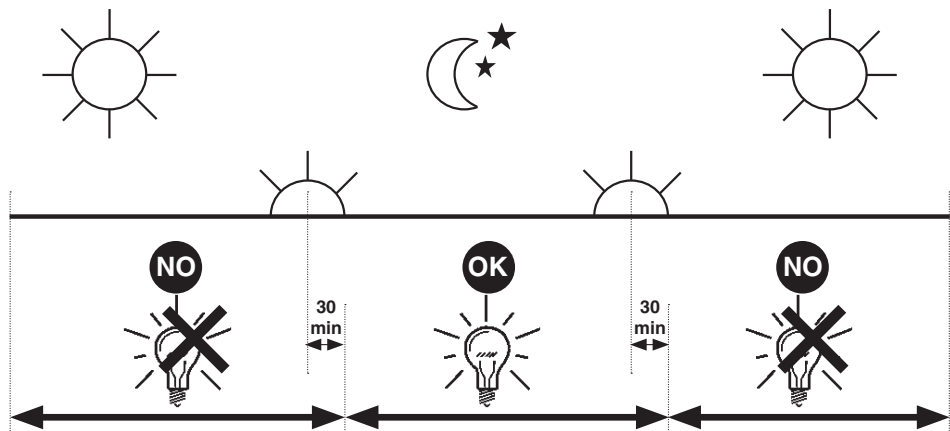
iGuzzini

iGuzzini

2.509.386.00
ISO9176/01

الفترة الزمنية اليومية للتشغيل المسموح بها

- I PERIODO GIORNALIERO DI ACCENSIONE AMMESSO
- GB ALLOWED DAILY OPERATION PERIOD
- E PERIODO DIARIO DE ENCENDIDO PERMITIDO

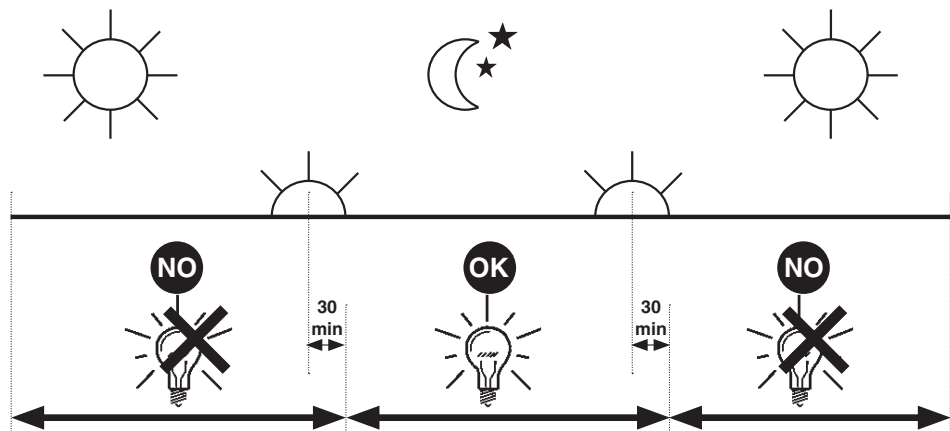


iGuzzini

2.509.386.00
ISO9176/01

الفترة الزمنية اليومية للتشغيل المسموح بها

- I PERIODO GIORNALIERO DI ACCENSIONE AMMESSO
- GB ALLOWED DAILY OPERATION PERIOD
- E PERIODO DIARIO DE ENCENDIDO PERMITIDO

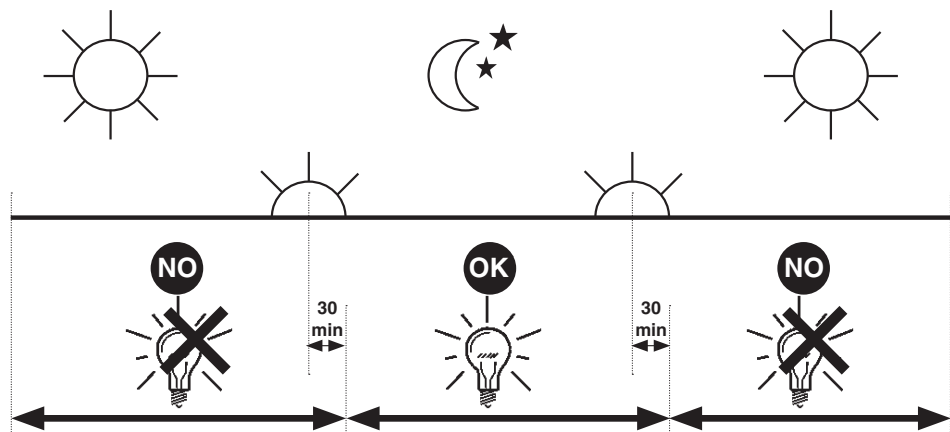


iGuzzini

2.509.386.00
ISO9176/01

الفترة الزمنية اليومية للتشغيل المسموح بها

- I PERIODO GIORNALIERO DI ACCENSIONE AMMESSO
- GB ALLOWED DAILY OPERATION PERIOD
- E PERIODO DIARIO DE ENCENDIDO PERMITIDO

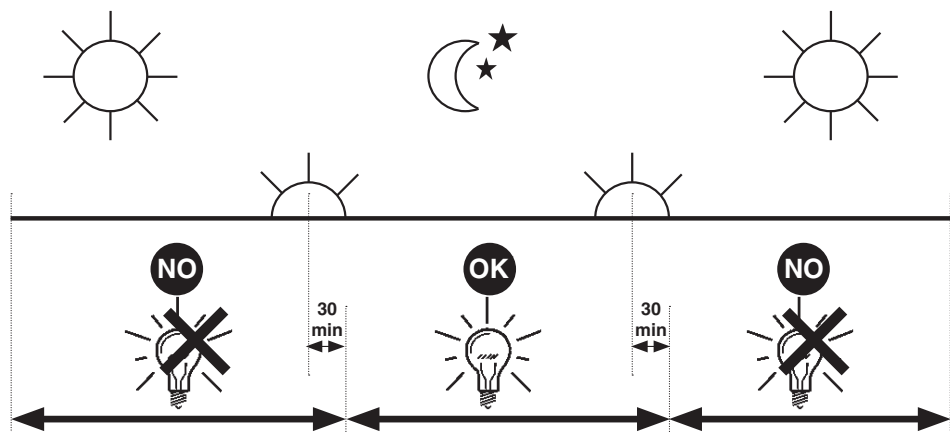


iGuzzini

2.509.386.00
ISO9176/01

الفترة الزمنية اليومية للتشغيل المسموح بها

- I PERIODO GIORNALIERO DI ACCENSIONE AMMESSO
- GB ALLOWED DAILY OPERATION PERIOD
- E PERIODO DIARIO DE ENCENDIDO PERMITIDO



- I Istruzioni per le operazioni di servizio per l'apparecchio di illuminazione**
GB Instructions on luminaire service operations
F Instructions pour les opérations de service du luminaire
D Wartungsanleitung für die Leuchte
NL Instructies voor de onderhoudsoperaties op de verlichtingsarmatuur
E Instrucciones para las operaciones de servicio del aparato de alumbrado
DK Anvisninger i serviceindgreb på belysningsarmatur
N Anvisninger for betjening av lysapparatet
S Instruktioner för användning av belysningsanordningen
RUS Инструкции по эксплуатации осветительного прибора
CN 照明装置检修操作说明

Sostituire la lampada parzialmente esausta
 Replace the partly exhausted lamp
 Remplacer la lampe partiellement épuisée
 Die teilweise erschöpfte Lampe austauschen
 Vervang de gedeeltelijk lege lamp
 Sustituir la lámpara parzialmente agotada
 Udskift den delvist udtjente pære
 Skifte ut den delvis utbrente lyspæren
 Byt ut den delvis förbrukade lampan
 Замена частично отработанной лампочки
 更换部分老化的灯泡



Spegnimento
 Switch it off
 Extinction
 Ausschaltung
 Uitschakeling
 Apagado
 Slukning
 Slukking
 Släckning
 Выключение
 关灯

Interrompere l'alimentazione dell'apparecchio
 Cut the power supply to the luminaire
 Couper l'alimentation du luminaire
 Stromversorgung der Leuchte unterbrechen
 Onderbreek de voeding van het apparaat
 Interrumpir la alimentación del aparato
 Afbryd armaturets strømforsyning
 Avbryte strømtilførselen til apparatet
 Koppla från anordningens strömförsörjning
 Отключить электропитание прибора
 中断装置供电



Aprire l'apparecchio
 Open the fixture
 Ouvrir le luminaire
 Das Gerät öffnen
 Open het apparaat
 Abrir el aparato
 Åbn armaturet
 Åpne apparatet
 Öppna anordningen
 Раскрыть прибор
 打开装置



Rimuovere la lampada esausta
 Remove the exhausted lamp
 Retirer la lampe épuisée
 Die alte Lampe entnehmen
 Verwijder de lege lamp
 Quitar la lámpara agotada
 Tag den udtjente pære ud
 Fjerne den utbrente lyspæren
 Ta bort den förbrukade lampan
 Вынуть старую лампочку
 取出老化的灯泡

Portarla in un centro di riciclaggio
 Carry it to a recycling centre
 La porter dans une déchetterie pour son recyclage
 Ordnungsgemäß entsorgen
 Breng de lamp naar een recyclingcentrum
 Llevarla a un centro de reciclaje
 Aflever den på en genbrugsstation
 Lever den til en miljøstasjon
 Lämna in den till en återvinningsanläggning
 Сдать ее в пункт приема утильсырья
 将其送往回收中心



Inserire la nuova lampada
 Introduce the new lamp
 Installer la lampe neuve
 Die neue Lampe einsetzen
 Doe de nieuwe lamp op zijn plek
 Montar la nueva lámpara
 Sæt den nye pære i
 Sette i den nye pæren
 Sätt i den nya lampan
 Вставить новую лампочку
 装入新灯泡

Inserire la nuova lampada nel portalampana
 Fit the new lamp into the socket
 Installer la nouvelle lampe dans le support de lampe
 Die neue Lampe in den Sockel einsetzen
 Doe de nieuwe lamp in de lamphouder
 Montar la nueva lámpara en el portalampana
 Sæt den nye pære i fatningen
 Sette den nye pæren inn i lampeholderen
 Sätt i den nya lampan i lamphållaren
 Вставить новую лампочку в патрон
 将新灯泡插入灯泡架中



Riposizionare ottica
 Re-place the optic
 Remettre l'optique à sa place
 Die Optik wieder einsetzen
 Doe de optiek weer op zijn plaats
 Volver a montar la óptica
 Sæt den optiske enhed på plads
 Innstille linsen
 Flytta om optiken
 Отрегулировать линзы
 重新定位光头



Effettuare prova di funzionamento
 Perform operative test
 Procéder à un essai de fonctionnement
 Eine Funktionsprüfung durchführen
 Controleer de correcte werking
 Hacer una prueba de funcionamiento
 Afprøv funktionen
 Prøve om den fungerer
 Utför funktionstest
 Выполнить проверку исправности работы
 执行功能测试



I Istruzioni per la pulizia dell'apparecchio di illuminazione
GB Instructions on luminaire cleaning operations
F Instructions pour le nettoyage du luminaire
D Anweisungen zur Reinigung der Leuchte
NL Instructies voor de reiniging van de verlichtingsarmatuur
E Instrucciones para limpiar el aparato de alumbrado
DK Anvisninger i rengøring af belysningsarmaturet
N Anvisninger for rengjøring av lysapparatet
S Instruktioner för rengöring av belysningsanordningen
RUS Инструкции по чистке осветительного прибора
CN 照明装置清洁说明

Pulire l'apparecchio
Clean the fixture
Nettoyer le luminaire
Das Gerät reinigen
Reinig het apparaat
Limpiar el aparato
Rengør armaturet
Rengjøre apparatet
Rengör anordningen
Чистка прибора
清洁装置

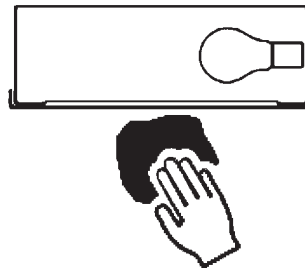


Spegnimento
Switch it off
Extinction
Ausschaltung
Uitschakeling
Apagado
Slukning
Slukking
Släckning
Выключение
关灯

Interrompere l'alimentazione dell'apparecchio
Cut the power supply to the luminaire
Couper l'alimentation du luminaire
Stromversorgung der Leuchte unterbrechen
Onderbreek de voeding van het apparaat
Interrumpir la alimentación del aparato
Afbryd armaturets strømforsyning
Avbryt strømtilførselen til apparatet
Koppla från anordningens strömförsörjning
Отключить электропитание прибора
中断装置供电



Spolverare l'ottica esterna
Remove dust from the external optic
Dépoussiérer l'optique extérieure
Die externe Optik abstauben
Stof de externe optiek af
Quitar el polvo de la óptica exterior
Tør støvet af den udvendige optiske enhed
Fjerne støv fra den eksterne lysenheten
Damma av den yttre optiken
Вытереть пыль с внешней стороны линз
为外侧光头掸尘



Lavare l'ottica esterna
Wash the external optic
Laver l'optique extérieure
Die externe Optik waschen
Was de externe optiek
Lavar la óptica exterior
Vask den udvendige optiske enhed
Vaske den eksterne lysenheten
Rengör den yttre optiken
Вымыть линзы с внешней стороны
清洁外光头



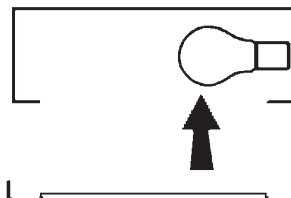
Rimuovere l'ottica
Remove the optic
Retirer l'optique
Die Optik abnehmen
Verwijder de optiek
Quitar la óptica
Tag den optiske enhed af
Fjerne lysenheten
Ta bort optiken
Снять линзы
取下光头



Pulire la parte interna dell'apparecchio di illuminazione
Clean the inside of the fixture
Nettoyer l'intérieur du luminaire
Die Innenseite der Leuchte reinigen
Reinig de binnenzijde van de verlichtingsarmatuur
Limpiar el interior del aparato de alumbrado
Rengør belysningsarmaturets indvendige dele
Rengjøre lysapparatet innvendig
Rengör belysningsanordningen invändigt
Протереть осветительный прибор изнутри
清洁照明装置内部



Riposizionare ottica
Re-place the optic
Remettre l'optique à sa place
Die Optik wieder einsetzen
Doe de optiek weer op zijn plaats
Volver a montar la óptica
Sæt den optiske enhed på plads
Innstille linsen
Flytta om optiken
Отрегулировать линзы
重新定位光头



Effettuare prova di funzionamento
Perform operative test
Procéder à un essai de fonctionnement
Eine Funktionsprüfung durchführen
Controleer de correcte werking
Hacer una prueba de funcionamiento
Afprøv funktionen
Prøve om den fungerer
Utför funktionstest
Выполнить проверку исправности работы
执行功能测试



- I** Istruzioni per il fine vita e lo smaltimento dei componenti
GB Instructions on end-of-life and component disposal
F Instructions pour la gestion des composants en fin de vie et leur mise au rebut
D Anweisungen zur Entsorgung der Leuchtenkomponenten
NL Instructies voor het verwijderen van de armatuur en het recyclen van de onderdelen
E Instrucciones para el final de vida y la eliminación los componentes
DK Anvisninger i udtjent armatur og bortskaffelse af komponenter
N Anvisninger for endt levetid og avfallsbehandling av delene
S Instruktioner vid bortskaffning och kassering av komponenter
RUS Инструкции по утилизации прибора и его комплектующих по окончании его срока службы
CN 寿命期结束与零件废弃处置说明

<p>Spegnimento Switch it off Extinction Ausschaltung Uitschakeling Apagado Slukning Slukking Släckning Выключение 关灯</p> <p>Interrompere l'alimentazione dell'apparecchio Cut the power supply to the luminaire Couper l'alimentation du luminaire Stromversorgung der Leuchte unterbrechen Onderbreek de voeding van het apparaat Interrompirla alimentación del aparato Afbryd armaturets strømforsyning Avbryt strømtilførselen til apparatet Koppla från anordningens strömförsörjning Отключить электропитание прибора 中断装置供电</p> 	<p>Rimuovere la/e lampada/e per la dismissione Remove the lamp(s) for decommissioning Retirer la(les) lampe(s) pour sa(leur) mise au rebut Die Lampe/n ordnungsgemäß entsorgen Verwijder de lamp(en) voor het recyclen Quitar la(s) lámpara(s) para el desecho Tag pæren/pærerne ud til bortskaffelse Fjerne lampen/-e som skal kastes Ta bort lampan/-orna för bortskaffningen Вынуть лампочку/и для утилизации прибора 取出需要丢弃的灯泡</p> 	<p>Rimuovere la batteria per la dismissione Remove the battery for decommissioning Retirer la batterie pour sa mise au rebut Die Batterie ordnungsgemäß entsorgen Verwijder de batterij voor het recyclen Quitar la batería para el desecho Tag batteriet ud til bortskaffelse Fjerne batteriet som skal kastes Ta bort batteriet för bortskaffningen Вынуть батарейку для утилизации прибора 取出需要丢弃的电池</p> 	<p>Rimuovere l'apparecchio per la dismissione Remove the fixture for decommissioning Enlever le luminaire pour sa mise au rebut Das Gerät ordnungsgemäß entsorgen Verwijder het apparaat voor het recyclen Quitar el aparato para el desecho Tag armaturet ud til bortskaffelse Fjerne apparatet som skal kastes Ta bort anordningen för bortskaffningen Снять прибор для утилизации 取出需要丢弃的装置</p> 
---	--	--	--

<p>Inviare i materiali ad un centro di raccolta RAEE Send the materials to a WEEE collection centre Envoyer les matériaux dans une déchetterie DEEE Die Materialien in einem WEEE-Zentrum entsorgen Zend de materialen naar een recyclingscentrum voor de AEEA Enviar los materiales a un centro de recogida RAEE Afløver materialerne på et indsamlingscenter for elektronisk udstyr Sende materialene til en miljøstasjon for resirkulering av EE-avfall Skicka materialet till en RAEE uppsamlingscentral Сдать материалы в пункт приема утильсырья 将材料送往电气和电子垃圾回收中心</p> 			
--	--	--	--