

Last information update: May 2018

**Flexible strip - 5m - white LEDs.****Product code**

N178

**Technical description**

Product for linear lighting – fitted with monochromatic white LEDs with high colour rendering – assembled on white flexible circuit; transparent silicone sheath outer protection with end caps. IP65 protection rating for the full-length strip (undivided). The circuit ends include connectors with IP20 protection rating, therefore the installer is responsible for adapting the insulation level of the connectors. Supplied in 5-metre coils wound on special supports; supplied with a connection kit for connections in line or to power supply. The strip can be cut into 125mm-long sections; in case of intermediate cuts, ensure that the cut ends are carefully sealed so that the original protection conditions are restored. LED characteristics: White 3000K - CRI 90 - SDCM 3 - 56 LEDs/m - 112° beam angle - 96 W in total - 24V power supply. Control gears to be ordered separately.

**Installation**

Fixing kit: clips (code MWG2: 10 pieces) and rigid aluminium support (code MWG1: 5 pieces x 1 m) - The strip is configured for being combined with all Underscore 15 profiles.

**Dimension (mm)**

5000x11x4

**Colour**

Indeterminate (00)

**Weight (Kg)**

0.21

**Mounting**

wall arm|ceiling surface

**Wiring**

Constant voltage ballast ordered separately; available for single coil (ON-OFF code MZ14 / DALI dimmable code MZ15). The control gear and coil are connected through connectors (IP20) supplied with the strip package.

**Notes**

To ensure correct heat dissipation, the strip should be used in conjunction with the available profiles. The relevant connectors guarantee an IP20 protection rating. If the strip is cut (at the configured points), ensure that the various parts are carefully sealed once they have been joined together.

Complies with EN60598-1 and pertinent regulations

**Product configuration: N178+LENGTH1**

LENGTH1: Length 1 (m) - 1 (m)

**Product characteristics**

Total lighting output [Lm]: 1680  
Total power [W]: 19.2  
Luminous efficacy [Lm/W]: 87.5  
Life Time: 40,000h - L70 (Ta 25°C)

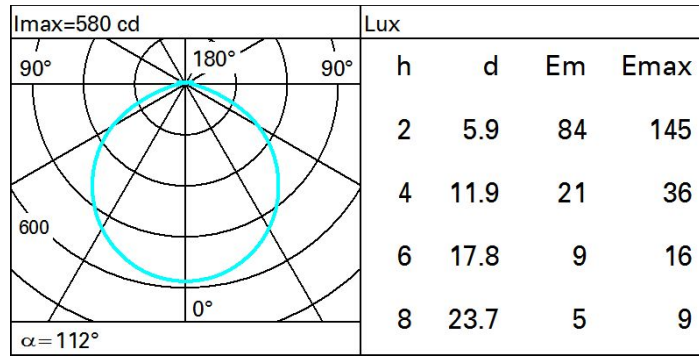
Total luminous flux at or above an angle of 90° [Lm]: 70.9  
Emergency luminous flux [Lm]: /  
Voltage [V]: 24  
Number of optical assemblies: 1

**Optical assembly Characteristics Type 1**

Light Output Ratio (L.O.R.) [%]: 100  
Lamp code: LED  
ZVEI Code: LED  
Nominal power [W]: 19.2  
Nominal luminous [Lm]: 1680  
Lamp maximum intensity [cd]: /  
Beam angle [°]: /

Number of lamps for optical assembly: 1  
Socket: /  
Ballast losses [W]: 0  
Colour temperature [K]: 3000  
CRI: 90  
Wavelength [Nm]: /  
MacAdam Step: 3

**Polar**



**Isolux**

