

Last information update: June 2018

**flexible strip - 5m - LED blanco****Product code**

MI60

Technical description

Linear lighting product - with white monochromatic LED - made on silicone-covered white flexible circuit. External protection in clear PVC sheath with end caps. The silicone protection ensures IP65 protection degree for strips with integral length (not cut). The circuit ends are provided with IP20 connectors, therefore the installer is responsible for completing the insulation operations. The product is supplied in 5 metre coils wrapped around special supports; supplied with connection kit for connections in line or power supply. The back of the circuit is provided with adhesive for quick application; mounting accessories are available for more difficult installations. The strips can be cut at predefined distances of 100mm (minimum 6 LEDs); in case of intermediate cuts use the end caps supplied and the cut ends must be sealed carefully to restore the protection conditions. LED characteristics: white 4000K (the value is indicative and subject to changes) - 60 LED/m - opening angle 120° - 72W total - power supply 24V. Control gears ordered separately

Installation

fixing kit: clips (code MWG2: 10 items) and rigid aluminium support (code MWG1: 5 items x 1 m)

Dimension (mm)

5000x11x4

Colour

Indeterminate (00)

Weight (Kg)

0.27

Mounting

wall arm

Wiring

Constant voltage ballast ordered separately; available for single coil (ON-OFF code MZ14 / DALI dimmable code MZ15). Power supply / coil connections with connectors (IP20) included with the strip

Notes

The connectors supplied guarantee a protection degree IP20. If the strips are cut (in the special zones) restore the seal thoroughly after having performed the connecting soldering

Complies with EN60598-1 and pertinent regulations

**Product configuration: MI60+LENGTH1**

LENGTH1: Length 1 (m) - 1 (m)

Product characteristics

Total lighting output [Lm]: 1130
Total power [W]: 14.4
Luminous efficacy [Lm/W]: 78.5
Life Time: 40,000h - L70 (Ta 25°C)

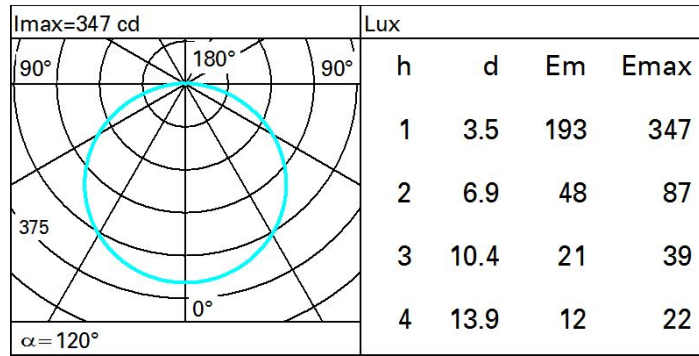
Total luminous flux at or above an angle of 90° [Lm]: 22.8
Emergency luminous flux [Lm]: /
Voltage [V]: 24
Number of optical assemblies: 1

Optical assembly Characteristics Type 1

Light Output Ratio (L.O.R.) [%]: 100
Lamp code: LED
ZVEI Code: LED
Nominal power [W]: 14.4
Nominal luminous [Lm]: 1130
Lamp maximum intensity [cd]: /
Beam angle [°]: /

Number of lamps for optical assembly: 1
Socket: /
Ballast losses [W]: 0
Colour temperature [K]: 4000
CRI: 70
Wavelength [Nm]: /
MacAdam Step: /

Polar



Isolux

