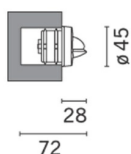
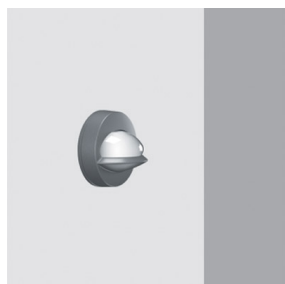


Last information update: May 2018

**Concrete wall/sill recessed, ø45mm luminaire without an electronic transformer - Warm White - Washer effect****Product code**

BU09

**Technical description**

Fixed, round, recessed luminaire designed for use with warm white LED lamps and a patented, Washer effect optic. Recessed luminaire consisting of a single die-cast aluminium body. The upper part is a heat sink which helps to dissipate the heat given off by the lamp. LED optics with a single methacrylate lens.

**Installation**

Recessed by means of a brass outer casing.

**Dimension (mm)**

Ø45x26

**Colour**

White (01) | Grey (15)

**Weight (Kg)**

0.11

**Mounting**

wall surface|ceiling surface

**Wiring**

Product supplied with an outlet cable L=200mm. Electronic ballast to be ordered separately.

**Notes**

Compatible with the Master Pro DMX control system.

Complies with EN60598-1 and pertinent regulations

**Product configuration: BU09****Product characteristics**

Total lighting output [Lm]: 107  
 Total power [W]: 2  
 Luminous efficacy [Lm/W]: 53.3  
 Life Time: 50,000h - L80 - B10 (Ta 25°C)  
 Number of optical assemblies: 1

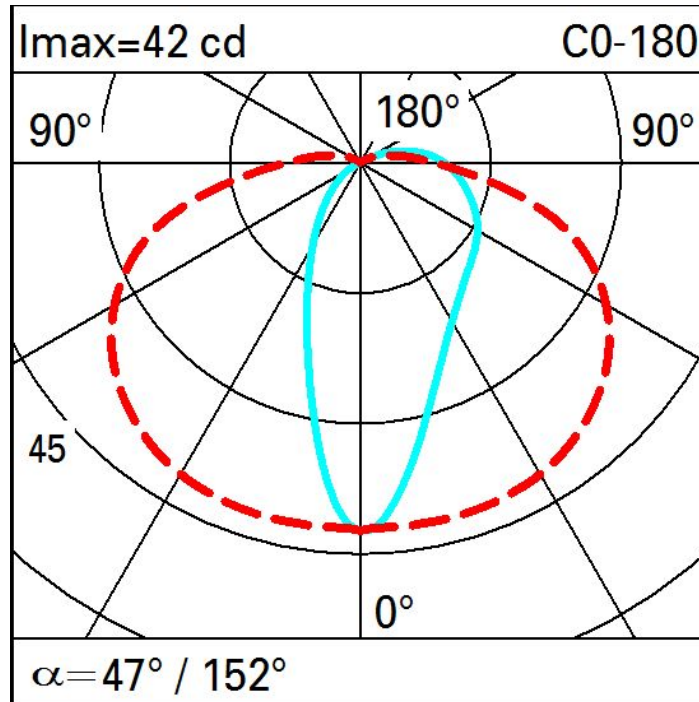
Total luminous flux at or above an angle of 90° [Lm]: 10  
 Emergency luminous flux [Lm]: /  
 Voltage [V]: -  
 Ambient temperature range: from -20°C to +35°C.

**Optical assembly Characteristics Type 1**

Light Output Ratio (L.O.R.) [%]: 41  
 Lamp code: LED  
 ZVEI Code: LED  
 Nominal power [W]: 2  
 Nominal luminous [Lm]: 260  
 Lamp maximum intensity [cd]: /  
 Beam angle [°]: /

Number of lamps for optical assembly: 1  
 Socket: /  
 Ballast losses [W]: 0  
 Colour temperature [K]: 3000  
 CRI: 80  
 Wavelength [Nm]: /  
 MacAdam Step: 3

Polar



Illuminances

Lux		Wall distance = 1m												
3														
	0.6	1	2	4	8	11	8	4	2	1	0.6			
2	0.7	1	2	3	5	7	5	3	2	1	0.7			
	0.7	1	2	2	3	4	3	2	2	1	0.7			
1	0.6	0.9	1	2	2	2	2	2	1	0.9	0.6			
	0.5	0.7	0.9	1	1	1	1	1	0.9	0.7	0.5			
0														
	m	-2	-1	0	1	2	3							