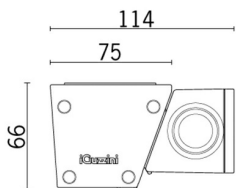
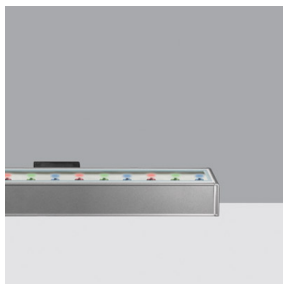


Last information update: May 2018

**Compact - Wall-/Ceiling-mounted - LEDs - DMX512-RDM control - L=506mm - Wall Grazing Optic****Product code**

BM45

Technical description

Direct light luminaire, designed to use RGBW (Red, Green, Blue and White 4000K) LED lamps and DMX512-RDM control with searching and addressing function. Ceiling, wall or support-mounted. Consists of a body and supports for installation, to be ordered separately. Extruded aluminium body, with die-cast aluminium end caps complete with silicone seals. Coated with liquid acrylic paint with a high level of weather and UV ray resistance. Lateral control gear box made of PPS (polyphenylene sulfide). The top of the optical assembly is closed by a 3 mm thick transparent glass screen, fixed with silicone. Complete with multi-LED plate with individual LEDs in Red, Green, Blue and White in the 4000K version (RGBW). Fitted with optics with plastic (methacrylate) lens for Wall Grazing lighting. The lateral box is supplied with a double connector, male/female, with 5-pin quick coupling for pass-through wiring and a closing cap on one side. All external screws used are made of A2 stainless steel. The luminaire technical characteristics conform to EN 60598-1 standards and particular requirements.

Installation

The following accessories are available for the installation: adjustable aluminium arms $\pm 90^\circ$ L=138mm (code 5576), extendable aluminium arms from 309 to 389mm and adjustable $\pm 90^\circ$ (code 5577), stainless steel adjustable arms $\pm 90^\circ$ L=138 (code BZX2) stainless steel adjustable arms L=310mm (code BZX3), wall mounting bracket L=310mm (code BZV9) balustrade mounting brackets L=297mm (code 5578), support or ceiling installation bracket L=309mm (code 5570).

Dimension (mm)

506x75x66

Colour

Grey (15)

Weight (Kg)

1.45

Mounting

wall surface|ceiling surface

Wiring

The product is supplied with electronic control gear, with DMX512-RDM control 220-240Vac, 50/60Hz contained in the luminaire. The following are available for the electrical connection and DMX-RDM control: 5 pole IP66 female connector (BZ15), 5 pole IP66 male connector + closing cap (BZ16), male connector + 5 pole IP66 female connector (BZ17), multipole cable groups with 5 pole male + female connectors (BZT4-BZT5-BZT6), connectors cap (BZQ7), 5 pole 3 way IP68 linear connector (Y type) (BZN7). DMX specifications require the insertion of a 120 Ohm terminating resistor to be placed between the DATA+ and DATA- cables of the last product in the line (code BZQ7)

Notes

Product complete with LED lamp. DMX specifications require the insertion of a 120 Ohm terminating resistor to be placed between the DATA+ and DATA- cables of the last product in the line (code BZQ7)

Complies with EN60598-1 and pertinent regulations

**Product configuration: BM45****Product characteristics**

Total lighting output [Lm]: 662
 Total power [W]: 18.6
 Luminous efficacy [Lm/W]: 35.6
 Life Time: 50,000h - L80 - B10 (Ta 25°C)
 Ambient temperature range: from -20°C to +35°C.

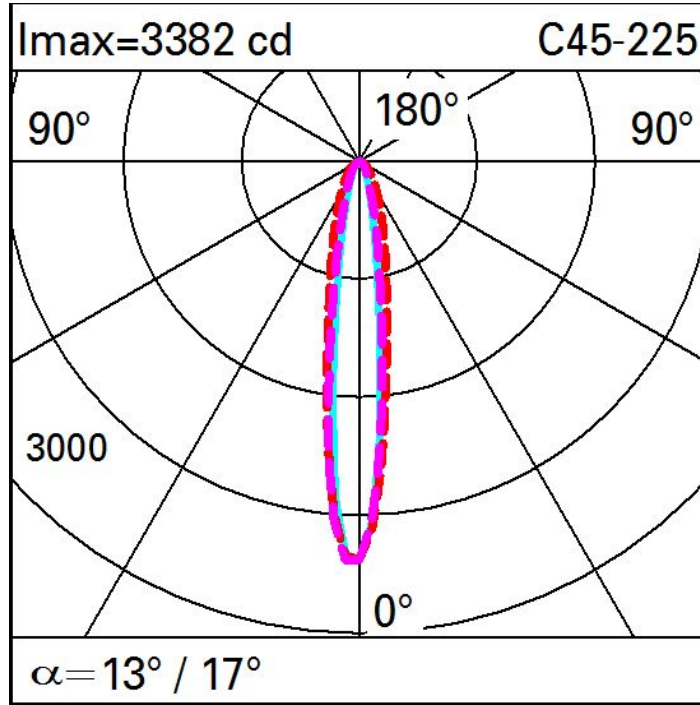
Total luminous flux at or above an angle of 90° [Lm]: 0
 Emergency luminous flux [Lm]: /
 Voltage [V]: -
 Life Time: 50,000h - L80 - B20 (Ta 40°C)
 Number of optical assemblies: 1

Optical assembly Characteristics Type 1

Light Output Ratio (L.O.R.) [%]: 67
 Lamp code: LED
 ZVEI Code: LED
 Nominal power [W]: 13
 Nominal luminous [Lm]: 990
 Lamp maximum intensity [cd]: /
 Beam angle [°]: /

Number of lamps for optical assembly: 1
 Socket: /
 Ballast losses [W]: 5.6
 Colour temperature [K]: /
 CRI: /
 Wavelength [Nm]: /
 MacAdam Step: /

Polar



Illuminances

Lux		Wall distance = 1m											
3													
		0.1	0.4	2	10	33	11	3	0.9	0.3	0.1		
2		0.3	0.7	2	5	15	46	16	6	2	1	0.5	
		0.5	1	2	6	17	40	15	6	3	1	0.7	
1		0.6	1	3	7	15	33	14	6	3	1	0.8	
		0.7	1	3	6	13	27	12	5	3	2	0.8	
0													
	m	-2	-1	0	1	2	3						