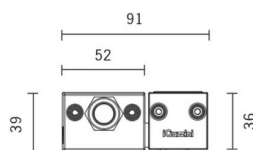


Last information update: May 2018

**Mini - Wall-/Ceiling-mounted - Neutral White LED - 48V dc DALI - L=1585mm - Wall Washer Optic****Product code**

BL34

Technical description

Direct light luminaire, designed to use monochrome LED lamps, 48V dc Dali dimmable. Ceiling- and wall-mounted. Consists of a body, a box for Dali driver and supports for installation (to be ordered separately). Extruded aluminium body and side box, with zamak die-cast end caps complete with silicone seals. Coated with liquid acrylic paint with a high level of weather and UV ray resistance. The top of the optical assembly is closed by a 3 mm thick transparent glass screen, fixed with silicone. Complete with multi-LED plate in Neutral White, side box with 48V dc Dali electronic driver (ballast to be ordered separately). Side box with double PG13.5 cable gland and outlet cables for pass-through wiring. Fitted with a PMMA diffusing filter and optics with plastic (methacrylate) lens for Wall Washer lighting. All external screws used are made of A2 stainless steel. The luminaire technical characteristics conform to EN 60598-1 standards and particular requirements.

Installation

The following accessories are available for installation: adjustable wall-mounted arms in AISI304 stainless steel (L=115mm code BZQ9, 200mm code BZJ9) and a plate for surface- or ceiling-mounting made of anodised aluminium (BZJ7).

Dimension (mm)

1569x91x39

Colour

Grey (15)

Weight (Kg)

2.97

Mounting

wall surface|ceiling surface

Wiring

The product is equipped with a nickel-plated brass PG13.5 double cable gland with H07RN-F rubber outlet cables 4x1.5mm² for pass-through wiring: each cable is set up both for the Dali signal and for 48V dc power supply. Available for electrical connection: IP68 5-pin linear connector (BZS6), cap for IP68 connectors (BZQ7), 48V dc DIN bar electronic ballasts to be ordered separately: 120W (BZ14), 240W (BZ15) and 480W (BZ16).

Notes

Product complete with LED lamp. The electronic board takes one Dali address, absorbs one Dali load.

Complies with EN60598-1 and pertinent regulations

**Product configuration: BL34****Product characteristics**

Total lighting output [Lm]: 963

Total power [W]: 20.3

Luminous efficacy [Lm/W]: 47.5

Life Time: 100,000h - L80 - B10 (Ta 25°C)

Ambient temperature range: from -20°C to +35°C.

Total luminous flux at or above an angle of 90° [Lm]: 0

Emergency luminous flux [Lm]: /

Voltage [V]: 48

Life Time: 84,000h - L80 - B10 (Ta 40°C)

Number of optical assemblies: 1

Optical assembly Characteristics Type 1

Light Output Ratio (L.O.R.) [%]: 54

Lamp code: LED

ZVEI Code: LED

Nominal power [W]: 18

Nominal luminous [Lm]: 1780

Lamp maximum intensity [cd]: /

Beam angle [°]: /

Number of lamps for optical assembly: 1

Socket: /

Ballast losses [W]: 2.3

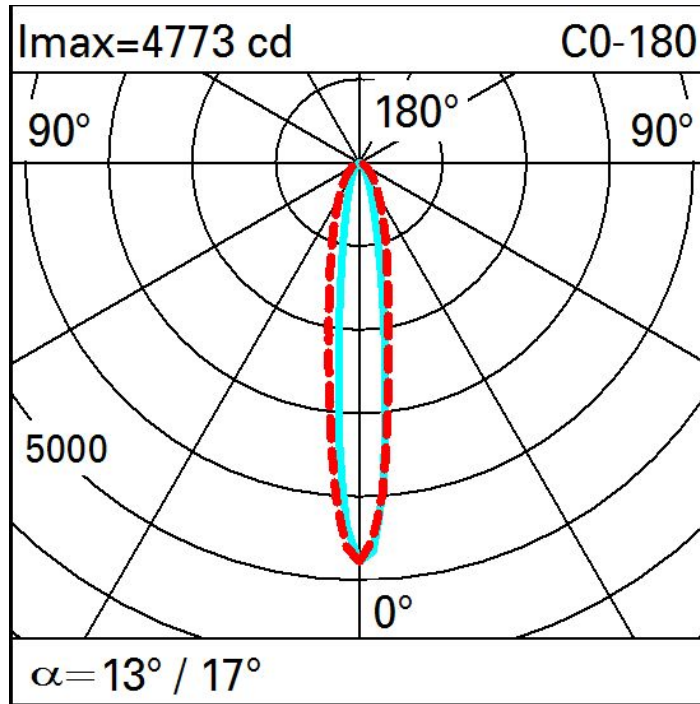
Colour temperature [K]: 4000

CRI: 80

Wavelength [Nm]: /

MacAdam Step: 3

Polar



Illuminances

Lux		Wall distance = 1m											
3													
		0.1	0.4	2	14	52	13	2	0.4	0.1			
2	0.2	0.7	2	8	26	74	25	7	2	0.7	0.2		
		0.6	1	4	10	26	64	27	9	3	1	0.6	
1	0.8	2	4	10	23	53	24	10	4	2	0.8		
		1.0	2	4	9	20	41	21	10	5	2	0.9	
0													
	m	-2	-1	0	1	2	3						