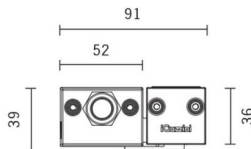
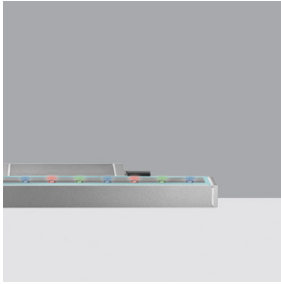


Last information update: June 2018

**Mini - Wall-/Ceiling-mounted - RGB LED - 48V dc with DALI control - L=511mm - Wall Washer Optic****Product code**

BJ17

Technical description

Direct light luminaire, designed to use RGB LED lamps (Red, Green, Blue), 48V dc with Dali control. Ceiling- and wall-mounted. Consists of a body, a box for Dali driver and supports for installation (to be ordered separately). Extruded aluminium body and side box, with zamak die-cast end caps complete with silicone seals. Coated with liquid acrylic paint with a high level of weather and UV ray resistance. The top of the optical assembly is closed by a 3 mm thick transparent glass screen, fixed with silicone. Complete with multi-LED plate with individual LEDs in Red, Green and Blue (RGB), side box with 48V dc Dali electronic driver (ballast to be ordered separately). Side box with double PG13.5 cable gland and outlet cables for pass-through wiring. Fitted with a PMMA diffusing filter and optics with plastic (methacrylate) lens for Wall Washer lighting. All external screws used are made of A2 stainless steel. The luminaire technical characteristics conform to EN 60598-1 standards and particular requirements.

Installation

The following accessories are available for installation: adjustable wall-mounted arms in AISI304 stainless steel (L=115mm code BZQ9, 200mm code BZJ9) and a plate for surface- or ceiling-mounting made of anodised aluminium (BZJ6).

Dimension (mm)

512x91x39

Colour

Grey (15)

Weight (Kg)

1.47

Mounting

wall surface|ceiling surface

Wiring

The product is equipped with a nickel-plated brass PG13.5 double cable gland with H07RN-F rubber outlet cables 4x1.5mm² for pass-through wiring: each cable is set up both for the Dali signal and for 48V dc power supply. Available for electrical connection: IP68 5-pin linear connector (BZS6), cap for IP68 connectors (BZQ7), 48V dc DIN bar electronic ballasts to be ordered separately: 120W (BZ14), 240W (BZ15) and 480W (BZ16).

Notes

Product complete with LED lamp. The electronic board takes three Dali addresses, absorbs one Dali load.

Complies with EN60598-1 and pertinent regulations



IK05

IP66



CE

EAC

EAC

A++

Product configuration: BJ17**Product characteristics**

Total lighting output [Lm]: 362

Total power [W]: 13.5

Luminous efficacy [Lm/W]: 26.8

Life Time: 50,000h - L80 - B10 (Ta 25°C)

Ambient temperature range: from -20°C to +35°C.

Total luminous flux at or above an angle of 90° [Lm]: 0

Emergency luminous flux [Lm]: /

Voltage [V]: 48

Life Time: 50,000h - L80 - B20 (Ta 40°C)

Number of optical assemblies: 1

Optical assembly Characteristics Type 1

Light Output Ratio (L.O.R.) [%]: 55

Lamp code: LED

ZVEI Code: LED

Nominal power [W]: 11

Nominal luminous [Lm]: 660

Lamp maximum intensity [cd]: /

Beam angle [°]: /

Number of lamps for optical assembly: 1

Socket: /

Ballast losses [W]: 2.5

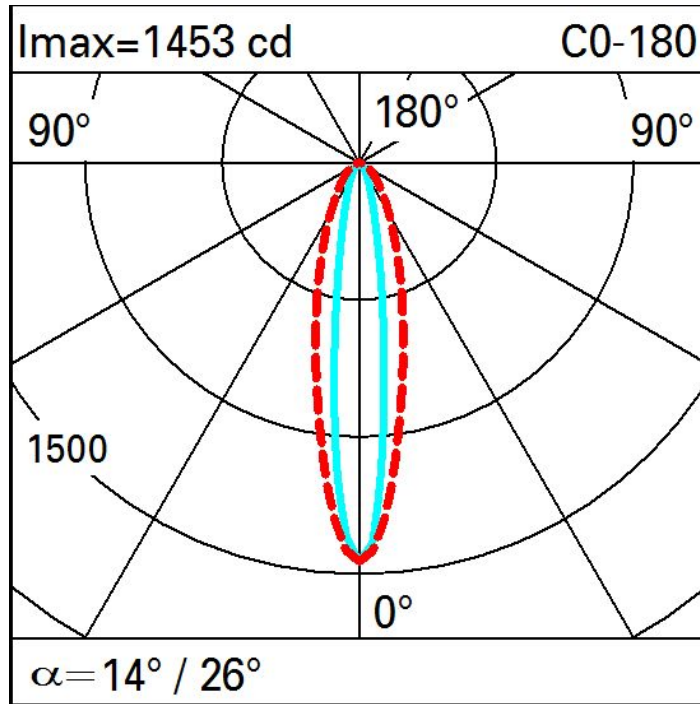
Colour temperature [K]: /

CRI: /

Wavelength [Nm]: /

MacAdam Step: /

Polar



Illuminances

