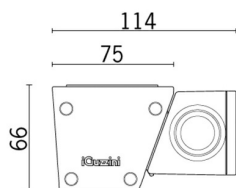


Last information update: May 2018

**Compact - Wall-/Ceiling-mounted - Neutral White LED - Dimmable DMX512-RDM - L=1056mm - Wall Washer Optic****Product code**

BI65

Technical description

Direct light luminaire, designed to use monochrome LED lamps, DMX512-RDM dimmable with searching and addressing function. Ceiling- and wall-mounted. Consists of a body and supports for installation, to be ordered separately. Extruded aluminium body, with die-cast aluminium end caps complete with silicone seals. Coated with liquid acrylic paint with a high level of weather and UV ray resistance. Lateral control gear box made of PPS (polyphenylene sulfide). The top of the optical assembly is closed by a 3 mm thick transparent glass screen, fixed with silicone. Complete with multi-LED plate in Neutral White. Fitted with optics with plastic (methacrylate) lens for Wall Washer lighting. The lateral box is supplied with a double connector, male/female, with 5-pin quick coupling for pass-through wiring and a closing cap on one side. All external screws used are made of A2 stainless steel. The luminaire technical characteristics conform to EN 60598-1 standards and particular requirements.

Installation

Accessories available for installation: $\pm 90^\circ$ adjustable arms L=138mm (code 5576), arms extendable from 309 to 389mm and adjustable $\pm 90^\circ$ (code 5577), bracket for wall-mounting L=310mm (code BZ10), brackets for mounting on balustrades L297mm (code 5578), bracket for surface- or ceiling-mounting L=309mm (code 5570).

Dimension (mm)

1056x75x66

Colour

Grey (15)

Weight (Kg)

3.2

Mounting

wall surface|ceiling surface

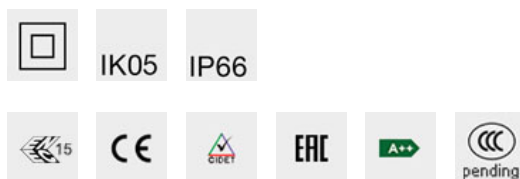
Wiring

The product is supplied with electronic control gear, dimmable DMX512-RDM 220÷240Vac, 50/60Hz contained in the luminaire. Available for electrical connection and DMX-RDM control: IP66 5-pin female connector (BZ15), IP66 5-pin male connector + closing cap (BZ16), IP66 5-pin male connector + female connector (BZ17), multi-pole cable units with 5-pin male + female connectors (BZJ3-BZJ4-BZJ5). DMX specifications require the insertion of a 120 Ohm terminating resistor to be placed between the DATA+ and DATA- cables of the last product in the line (code BZQ7)

Notes

Product complete with LED lamp. DMX specifications require the insertion of a 120 Ohm terminating resistor to be placed between the DATA+ and DATA- cables of the last product in the line (code BZQ7)

Complies with EN60598-1 and pertinent regulations

**Product configuration: BI65****Product characteristics**

Total lighting output [Lm]: 1906
 Total power [W]: 32
 Luminous efficacy [Lm/W]: 59.6
 Life Time: 100,000h - L80 - B10 (Ta 25°C)
 Ambient temperature range: from -20°C to +35°C.

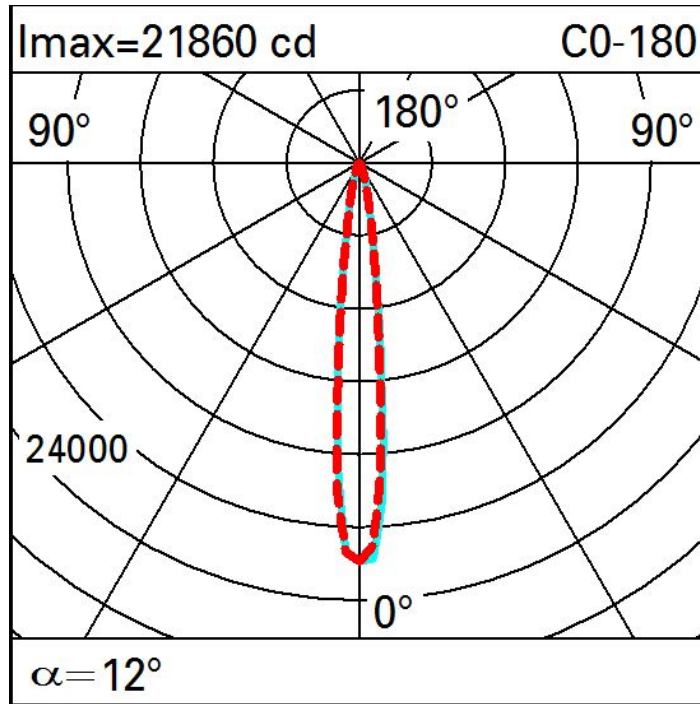
Total luminous flux at or above an angle of 90° [Lm]: 0
 Emergency luminous flux [Lm]: /
 Voltage [V]: -
 Life Time: 100,000h - L80 - B10 (Ta 40°C)
 Number of optical assemblies: 1

Optical assembly Characteristics Type 1

Light Output Ratio (L.O.R.) [%]: 73
 Lamp code: LED
 ZVEI Code: LED
 Nominal power [W]: 27
 Nominal luminous [Lm]: 2610
 Lamp maximum intensity [cd]: /
 Beam angle [°]: /

Number of lamps for optical assembly: 1
 Socket: /
 Ballast losses [W]: 5
 Colour temperature [K]: 4000
 CRI: 80
 Wavelength [Nm]: /
 MacAdam Step: 3

Polar



Illuminances

