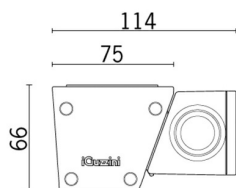


Last information update: May 2018

**Compact - Wall-/Ceiling-mounted - Neutral White LED - DALI - L=1585mm - Wall Washer Optic****Product code**

BI61

Technical description

Direct light luminaire, designed to use monochrome LED lamps, Dali dimmable. Ceiling- and wall-mounted. Consists of a body and supports for installation, to be ordered separately. Extruded aluminium body, with die-cast aluminium end caps complete with silicone seals. Coated with liquid acrylic paint with a high level of weather and UV ray resistance. Lateral control gear box made of PPS (polyphenylene sulfide). The top of the optical assembly is closed by a 3 mm thick transparent glass screen, fixed with silicone. Complete with multi-LED plate in Neutral White. Fitted with optics with plastic (methacrylate) lens for Wall Washer lighting. The lateral box is supplied with a double connector, male/female, with 5-pin quick coupling for pass-through wiring and a closing cap on one side. Set up for pass-through earth wiring. All external screws used are made of A2 stainless steel. The luminaire technical characteristics conform to EN 60598-1 standards and particular requirements.

Installation

Accessories available for installation: $\pm 90^\circ$ adjustable arms L=138mm (code 5576), arms extendable from 309 to 389mm and adjustable $\pm 90^\circ$ (code 5577), bracket for wall-mounting L=670mm (code BZ11), brackets for mounting on balustrades L297mm (code 5578), bracket for surface- or ceiling-mounting L=644mm (code 5571).

Dimension (mm)

1585x75x66

Colour

Grey (15)

Weight (Kg)

4.49

Mounting

wall surface|ceiling surface

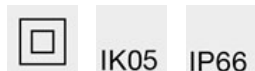
Wiring

The product is supplied with electronic control gear, Dali dimmable 220÷240Vac, 50/60Hz contained in the luminaire. Available for electrical connection and Dali control: IP66 5-pin female connector (BZ15), IP66 5-pin male connector + closing cap (BZ16), IP66 5-pin male connector + female connector (BZ17), multi-pole cable units with 5-pin male + female connectors (BZJ3-BZJ4-BZJ5)

Notes

Product complete with LED lamp. The electronic board takes one Dali address, absorbs one Dali load.

Complies with EN60598-1 and pertinent regulations

**Product configuration: BI61****Product characteristics**

Total lighting output [Lm]: 2855

Total power [W]: 47.3

Luminous efficacy [Lm/W]: 60.4

Life Time: 100,000h - L80 - B10 (Ta 25°C)

Ambient temperature range: from -20°C to +35°C.

Total luminous flux at or above an angle of 90° [Lm]: 0

Emergency luminous flux [Lm]: /

Voltage [V]: -

Life Time: 100,000h - L80 - B10 (Ta 40°C)

Number of optical assemblies: 1

Optical assembly Characteristics Type 1

Light Output Ratio (L.O.R.) [%]: 73

Lamp code: LED

ZVEI Code: LED

Nominal power [W]: 41

Nominal luminous [Lm]: 3910

Lamp maximum intensity [cd]: /

Beam angle [°]: /

Number of lamps for optical assembly: 1

Socket: /

Ballast losses [W]: 6.3

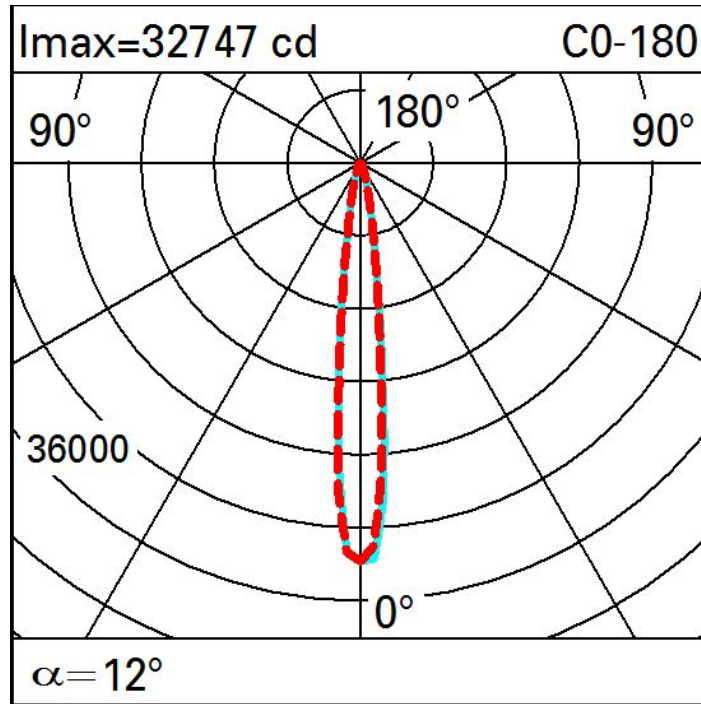
Colour temperature [K]: 4000

CRI: 80

Wavelength [Nm]: /

MacAdam Step: 3

Polar



Illuminances

