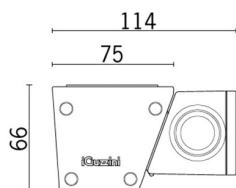


Last information update: May 2018

**Compact - Wall-/Ceiling-mounted - Neutral White LED - DALI - L=1056mm - Wall Washer Optic****Product code**

BI59

**Technical description**

Direct light luminaire, designed to use monochrome LED lamps, Dali dimmable. Ceiling- and wall-mounted. Consists of a body and supports for installation, to be ordered separately. Extruded aluminium body, with die-cast aluminium end caps complete with silicone seals. Coated with liquid acrylic paint with a high level of weather and UV ray resistance. Lateral control gear box made of PPS (polyphenylene sulfide). The top of the optical assembly is closed by a 3 mm thick transparent glass screen, fixed with silicone. Complete with multi-LED plate in Neutral White. Fitted with optics with plastic (methacrylate) lens for Wall Washer lighting. The lateral box is supplied with a double connector, male/female, with 5-pin quick coupling for pass-through wiring and a closing cap on one side. Set up for pass-through earth wiring. All external screws used are made of A2 stainless steel. The luminaire technical characteristics conform to EN 60598-1 standards and particular requirements.

**Installation**

Accessories available for installation:  $\pm 90^\circ$  adjustable arms L=138mm (code 5576), arms extendable from 309 to 389mm and adjustable  $\pm 90^\circ$  (code 5577), bracket for wall-mounting L=310mm (code BZ10), brackets for mounting on balustrades L297mm (code 5578), bracket for surface- or ceiling-mounting L=309mm (code 5570).

**Dimension (mm)**

1056x75x66

**Colour**

Grey (15)

**Weight (Kg)**

3.2

**Mounting**

wall surface|ceiling surface

**Wiring**

The product is supplied with electronic control gear, Dali dimmable 220÷240Vac, 50/60Hz contained in the luminaire. Available for electrical connection and Dali control: IP66 5-pin female connector (BZ15), IP66 5-pin male connector + closing cap (BZ16), IP66 5-pin male connector + female connector (BZ17), multi-pole cable units with 5-pin male + female connectors (BZJ3-BZJ4-BZJ5)

**Notes**

Product complete with LED lamp. The electronic board takes one Dali address, absorbs one Dali load.

Complies with EN60598-1 and pertinent regulations

**Product configuration: BI59****Product characteristics**

Total lighting output [Lm]: 1906

Total power [W]: 32

Luminous efficacy [Lm/W]: 59.6

Life Time: 100,000h - L80 - B10 (Ta 25°C)

Ambient temperature range: from -20°C to +35°C.

Total luminous flux at or above an angle of  $90^\circ$  [Lm]: 0

Emergency luminous flux [Lm]: /

Voltage [V]: -

Life Time: 100,000h - L80 - B10 (Ta 40°C)

Number of optical assemblies: 1

**Optical assembly Characteristics Type 1**

Light Output Ratio (L.O.R.) [%]: 73

Lamp code: LED

ZVEI Code: LED

Nominal power [W]: 27

Nominal luminous [Lm]: 2610

Lamp maximum intensity [cd]: /

Beam angle [°]: /

Number of lamps for optical assembly: 1

Socket: /

Ballast losses [W]: 5

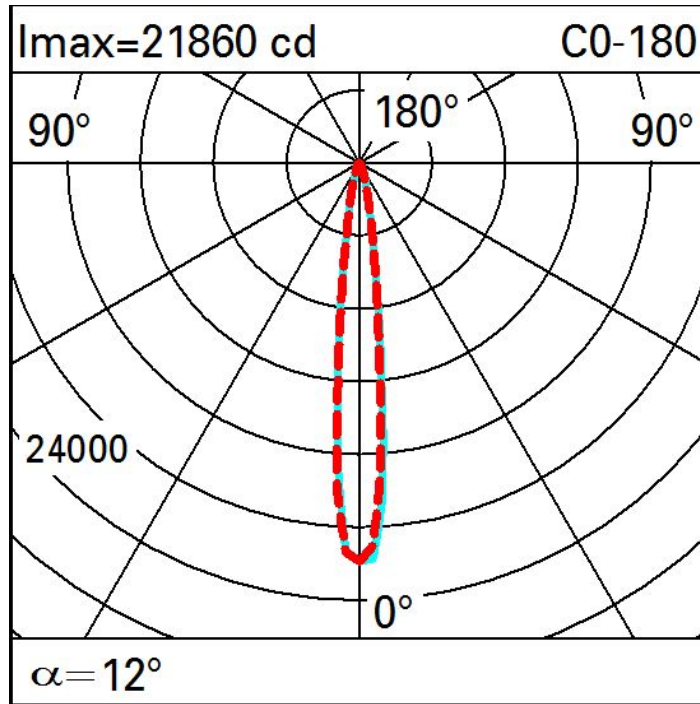
Colour temperature [K]: 4000

CRI: 80

Wavelength [Nm]: /

MacAdam Step: 3

Polar



Illuminances

