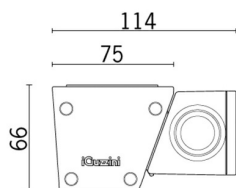


Last information update: May 2018

**Wall-/Ceiling-mounted - Neutral White LED - 100-277V ac - L=528mm - Wall Grazing Spot Optic****Product code**

BI51

**Technical description**

Direct light luminaire, designed to use monochrome LED lamps. Ceiling- and wall-mounted. Consists of a body and supports for installation, to be ordered separately. Extruded aluminium body, with die-cast aluminium end caps complete with silicone seals. Coated with liquid acrylic paint with a high level of weather and UV ray resistance. Lateral control gear box made of PPS (polyphenylene sulfide). The top of the optical assembly is closed by a 3 mm thick transparent glass screen, fixed with silicone. Complete with multi-LED plate in Neutral White. Fitted with optics with plastic (methacrylate) lens for Wall Grazing Spot lighting. The lateral box is supplied with a double connector, male/female, with 3-pin quick coupling for pass-through wiring and a closing cap on one side. Set up for pass-through earth wiring. All external screws used are made of A2 stainless steel. The luminaire technical characteristics conform to EN 60598-1 standards and particular requirements.

**Installation**

Accessories available for installation:  $\pm 90^\circ$  adjustable arms L=138mm (code 5576), arms extendable from 309 to 389mm and adjustable  $\pm 90^\circ$  (code 5577), bracket for wall-mounting L=310mm (code BZ10), brackets for mounting on balustrades L297mm (code 5578), bracket for surface- or ceiling-mounting L=309mm (code 5570). For a more uniform light beam in the initial few metres, an accessory diffusing filter is available (code BZS8).

**Dimension (mm)**

528x75x66

**Colour**

Grey (15)

**Weight (Kg)**

1.65

**Mounting**

wall surface|ceiling surface

**Wiring**

The product is supplied with electronic control gear, 220 $\pm$ 240Vac, 50/60Hz contained in the luminaire. Available for electrical connection: IP66 3-pin female connector (BZ12), IP66 3-pin male connector + closing cap (BZ13), IP66 3-pin male connector + female connector (BZ14), multi-pole cable units with 3-pin male + female connectors (BZJ0-BZJ1-BZJ2)

**Notes**

Product complete with LED lamp.

Complies with EN60598-1 and pertinent regulations

**Product configuration: BI51****Product characteristics**

Total lighting output [Lm]: 1147  
 Total power [W]: 19.9  
 Luminous efficacy [Lm/W]: 57.6  
 Life Time: 100,000h - L80 - B10 (Ta 25°C)  
 Ambient temperature range: from -20°C to +35°C.

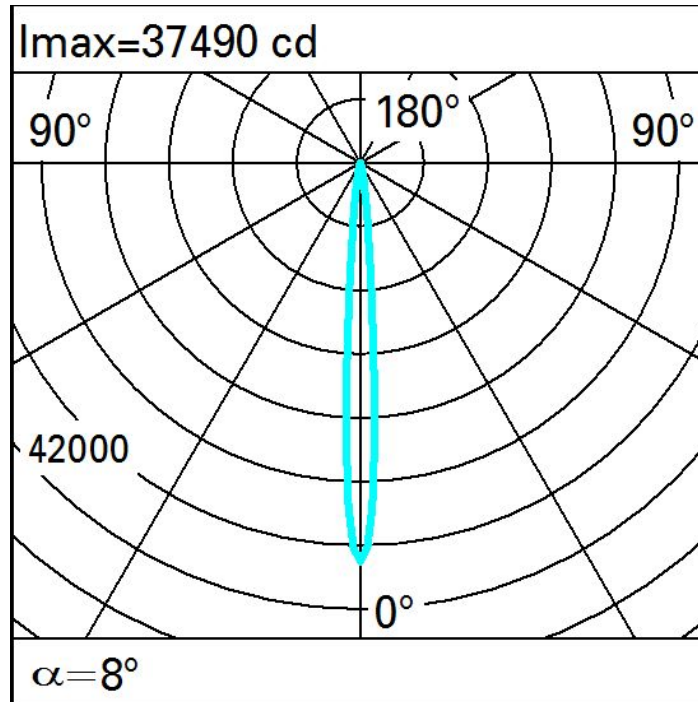
Total luminous flux at or above an angle of 90° [Lm]: 0  
 Emergency luminous flux [Lm]: /  
 Voltage [V]: -  
 Life Time: 66,000h - L80 - B10 (Ta 40°C)  
 Number of optical assemblies: 1

**Optical assembly Characteristics Type 1**

Light Output Ratio (L.O.R.) [%]: 74  
 Lamp code: LED  
 ZVEI Code: LED  
 Nominal power [W]: 18  
 Nominal luminous [Lm]: 1540  
 Lamp maximum intensity [cd]: /  
 Beam angle [°]: 8°

Number of lamps for optical assembly: 1  
 Socket: /  
 Ballast losses [W]: 1.9  
 Colour temperature [K]: 4000  
 CRI: 80  
 Wavelength [Nm]: /  
 MacAdam Step: 3

Polar



Illuminances

