

10819698

Product Sheet

ares

THE OUTDOOR BY FLOS

ARES s.r.l - Socio Unico
v.le dell'Artigianato n.24 - 20881 Bernareggio - MB (Italy)
www.aresill.net - flos.outdoor@flos.com

Vincenza

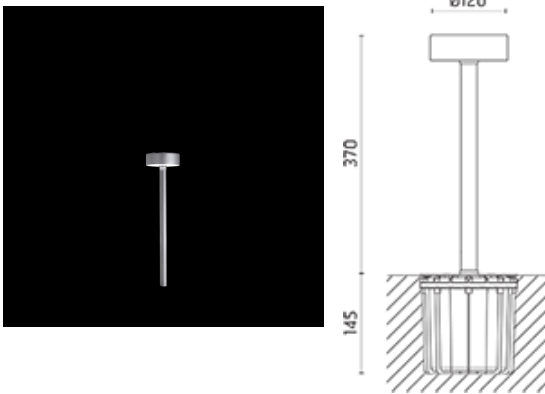
Bollard light. Configuration: die-cast aluminium structure, EN AB-47100 alloy (low copper content). Extruded aluminium stem. Plastic diffuser: sandblasted Double layer coating for high resistance to corrosion: the aluminium components are painted with a double coat using powders which are compliant with QUALICOAT standards: a first layer of epoxy powder (with excellent chemical and mechanical resistance) and a second finishing layer of polyester powder (resistant to UV rays and atmospheric agents). The entire painting process of the aluminium fitting starts from components which have been sandblasted in advance to make the surface more porous and increase the adherence of the paint. Ares effects alkaline and acid washing to clean the surfaces completely, then rinses with demineralised water to remove any residue particles, subsequently a chemical conversion treatment is done to protect against rusting. Protection rating: IP65 (with base) or IP67 (in-ground) In compliance with EN 60598-1 standards Class of insulation: mains: I; low voltage: III Installation: version with base: wiring through one M16 cable gland. Direct fixation with bolts to a concrete surface or through a dedicated fixing plate (to be ordered separately) in a concrete basement; version in-ground: wiring through two M16 cable glands. For a better stability, we recommend to concrete the root of the pole. Outdoor use requires suitable flexible cables assuring the watertightness of the cable gland.

IP67   

Available Colors for this Version



Vincenza Power LED / H. 370 mm - In Ground - 180° Asymmetric Emission



Product Code Details

10819698

Light Source

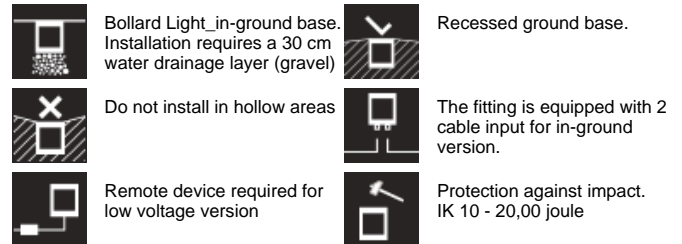


NATURAL WHITE 4000K POWER LEDs 6,4W/24Vdc
Total power 7,9W
LED lm 780 ÷ OUTPUT lm 380
CRI >80
Remote electronic power supply to be ordered



Warnings

Bollard



Light Flux, Placement



Accessories



Code: 175
Supported n. of lamps: 1
Power supply
10W/110÷240V - 24Vdc
IP67 CLASS II SELV.



Code: 155
Supported n. of lamps: 4
Power supply
50W/120÷240V - 24Vdc
IP67 CLASS II SELV.



Code: 110
Supported n. of lamps: 7
Power supply
70W/220÷240V - 24Vdc
IP67 CLASS II SELV EQ.