

526003

Product Sheet

ares

THE OUTDOOR BY FLOS

ARES s.r.l - Socio Unico
v.le dell'Artigianato n.24 - 20881 Bernareggio - MB (Italy)
www.aresill.net - flos.outdoor@flos.com

Trixie

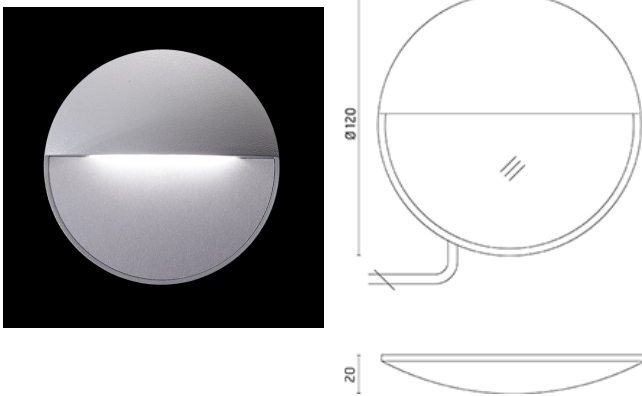
Slim rectangular or round luminaire for installation on wall - surface or recessed.
Configuration: die-cast aluminium structure, EN AB- 47100 alloy (low copper content).
Moulded transparent polycarbonate emitting unit (rectangular) or transparent polyurethane resin filling (round) and polished aluminium reflector fixed by double-sided technical tape.
Double layer coating for high resistance to corrosion: the aluminium components are painted with a double coat using powders which are compliant with QUALICOAT standards: a first layer of epoxy powder (with excellent chemical and mechanical resistance) and a second finishing layer of polyester powder (resistant to UV rays and atmospheric agents). The entire painting process of the aluminium fitting starts from components which have been sandblasted in advance to make the surface more porous and increase the adherence of the paint. Ares effects alkaline and acid washing to clean the surfaces completely, then rinses with demineralised water to remove any residue particles, subsequently a chemical conversion treatment is done to protect against rusting.
Protection rating: IP65 In compliance with EN 60598-1 standards Class of insulation: III
Installation: the luminaire is equipped with a piece of cable for an easy-to-make connection. 24V feeding: power supply installed in a remote position; 230V feeding: power supply located behind the luminaire into the recessed box for installation (to be ordered separately). Outdoor use requires suitable flexible cables. We recommend the use of a connection system with a protection degree greater than or equal to the protection degree of the luminaire.

IP65   CE

Available Colors for this Version



Trixie Round Low Power LED / Transparent Diffuser



Warnings

Wall Recessed



Light Flux, Placement



Product Code Details

526003

Light Source



WARM WHITE 3000K LOW POWER LEDs 1,5W/24Vdc

Total power 1,9W

LED lm 149 ÷ OUTPUT lm 71

CRI >80

Remote electronic power supply to be ordered

Dimmable on request, acc.: 144,176



Accessories



Code: 105
Box for installation
106 x 73 H 49 mm



Code: 150
Supported n. of lamps: 3
Power supply dual function
Vout 24Vdc: 8W/100÷240V
Iout 350mA: 6X1W/100÷240V
IP20 CLASS II SELV EQ.



Code: 106
Supported n. of lamps: 3
Power supply dual function
Vout 24Vdc: 8W/100÷240V
Iout 350mA: 6X1W/100÷240V - IP65 CLASS II SELV EQ.



Code: 87
Supported n. of lamps: 5
Power supply
10W/110÷240V - 24Vdc
IP20 CLASS II SELV.



Code: 175
Supported n. of lamps: 5
Power supply
10W/110÷240V - 24Vdc
IP67 CLASS II SELV.



Code: 144
Supported n. of lamps: 8
Power supply
17W/110÷240V - 24Vdc
(15W@110V) IP20 CLASS II SELV.



Code: 176
Supported n. of lamps: 8
Power supply
17W/110÷240V - 24Vdc
(15W@110V) IP67 CLASS II SELV.



Code: 147
Supported n. of lamps: 9
Power supply
20W/220÷240V - 24Vdc
IP67 CLASS II SELV.



Code: 155
Supported n. of lamps: 25
Power supply
50W/120÷240V - 24Vdc
IP67 CLASS II SELV.



Code: 110
Supported n. of lamps: 30
Power supply
70W/220÷240V - 24Vdc
IP67 CLASS II SELV EQ.



Code: 156
Supported n. of lamps: 45
Power supply
100W /120÷240V - 24Vdc
IP67 CLASS II SELV.