

10017427

Product Sheet

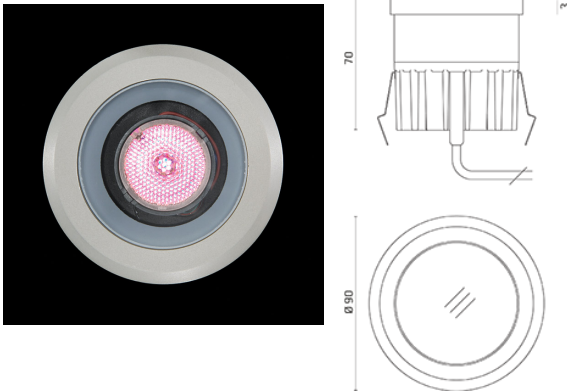
ares
THE OUTDOOR BY FLOS

ARES s.r.l - Socio Unico
v.le dell'Artigianato n.24 - 20881 Bernareggio - MB (Italy)
www.aresill.net - flos.outdoor@flos.com

Tapioca

Square or round luminaire - for installation in wall, ceiling or ground - recessed.
Configuration: die-cast aluminium structure, EN AB-47100 alloy (low copper content).
Anodized aluminium frame - only round. Glass diffuser: transparent or sandblasted, fixed to the aluminium body through a robotic gluing system. Double layer coating for high resistance to corrosion: the aluminium components are painted with a double coat using powders which are compliant with QUALICOAT standards: a first layer of epoxy powder (with excellent chemical and mechanical resistance) and a second finishing layer of polyester powder (resistant to UV rays and atmospheric agents). The entire painting process of the aluminium fitting starts from components which have been sandblasted in advance to make the surface more porous and increase the adherence of the paint. Ares effects alkaline and acid washing to clean the surfaces completely, then rinses with demineralised water to remove any residue particles, subsequently a chemical conversion treatment is done to protect against rusting. Protection rating: IP67 In compliance with EN 60598-1 standards Class of insulation: III Installation: the luminaire is equipped with a piece of cable for an easy-to-make connection and an H2O STOP device. Tapioca 24V is equipped with a dc/dc highly efficient resin-coated converter that removes electromagnetic interference and allows parallel wiring. The luminaire is protected against polarity reversal and sudden voltage peak. Installation requires a dedicated box to be ordered separately. It is important to provide a >200mm gravel layer or a drain system (for concrete surface) to ensure good drainage and to avoid water stagnation. We recommend the use of a connection system with a protection degree greater than or equal to the protection degree of the luminaire

Tapioca RGB Power LED / Ø 90mm - Anodized Aluminium Frame - Transparent Glass - Medium Beam 35°



Product Code Details

10017427

Light Source



RGB POWER LED 3,4W/3CHx350mA

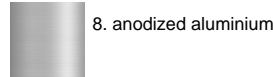
Total power 3,4W

Remote electronic power supply to be ordered



IP67

Available Colors for this Version



8. anodized aluminium

Warnings

Ground Recessed

- Recessed ground fitting
- Do not install in hollow areas
- Installation requires a 20 cm water drainage layer (gravel)
- Protection against water ingress from the cable. (not for RGB versions)
- Static load: 500Kg walk over (version without frame)
Static load: 2000Kg walk over (version with frame)
- Protection against impact.
IK 08 - 5,00 joule
IK 06 - 1,00 joule*
(only version Ø 55 mm)
- Pre-wired with approx 200mm of cable
- Remote device required
- Glass surface temperature

Wall Recessed

- Protection against water ingress from the cable. (not for RGB versions)
- Protection against impact.
IK 08 - 5,00 joule
IK 06 - 1,00 joule*
(only version Ø 55 mm)
- Recessed wall fitting
- Pre-wired with approx 200mm of cable
- Remote device required

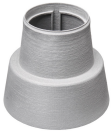
Ceiling Recessed

- Protection against water ingress from the cable. (not for RGB versions)
- Protection against impact.
IK 08 - 5,00 joule
IK 06 - 1,00 joule*
(only version Ø 55 mm)
- Installation in concrete ceiling: box for installation required.
- Pre-wired with approx 200mm of cable
- Remote device required

Light Flux, Placement



Accessories



Code: 101
Box for installation
Ø 130 H 110 mm



Code: 141
Supported n. of lamps: 10
Power supply with DMX interface for RGB fixtures
36W/220÷240V-3CHx350mA
(3CHx10x1W) DMX control allowed
IP67 CLASS I SELV EQ.



Code: 142
DMX Controller
Dimmer switch for recessed box (60 mm hole centres)



Code: 143
DMX Controller
Stand-alone/PC interface



Code: 187
DMX splitter
Electronic device to regenerate the DMX signal.
1 input and 7 output. 12÷24Vdc
Power supply to be ordered (87 or 175 recommended)



Code: 186
DMX cable
Shielded twisted pair with 110 Ohm constant impedance