

070113

Product Sheet

ares

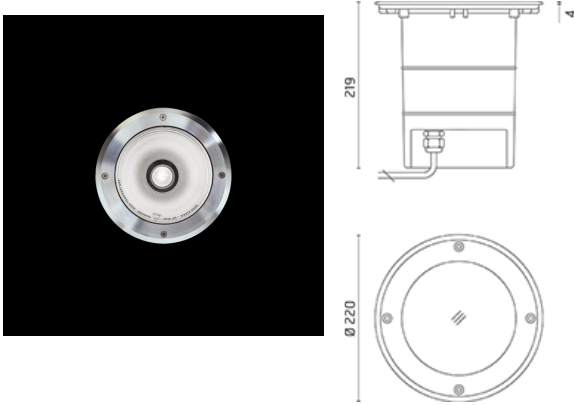
THE OUTDOOR BY FLOS

ARES s.r.l - Socio Unico
v.le dell'Artigianato n.24 - 20881 Bernareggio - MB (Italy)
www.aresill.net - flos.outdoor@flos.com

Petra

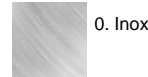
Round luminaire for installation in-ground - recessed. Configuration: die-cast aluminium structure, EN AB- 47100 alloy (low copper content) and AISI 316L stainless steel frame. Glass diffuser: Tempered transparent or sandblasted glass. Double layer coating for high resistance to corrosion: the aluminium components are painted with a double coat using powders which are compliant with QUALICOAT standards: a first layer of epoxy powder (with excellent chemical and mechanical resistance) and a second finishing layer of polyester powder (resistant to UV rays and atmospheric agents). The entire painting process of the aluminium fitting starts from components which have been sandblasted in advance to make the surface more porous and increase the adherence of the paint. Ares effects alkaline and acid washing to clean the surfaces completely, then rinses with demineralised water to remove any residue particles, subsequently a chemical conversion treatment is done to protect against rusting. Protection rating: IP67 In compliance with EN 60598-1 standards Class of insulation: I Installation: the luminaire is equipped with a piece of cable with a 2-way connector for 3-conductor cables (H2O STOP) for an easy-to-make connection. Outdoor use requires suitable flexible cables. Installation requires a dedicated box to be ordered separately. It is important to provide a >400mm gravel layer or a drain system (for concrete surfaces) to ensure good drainage and to avoid water stagnation. We recommend the use of a connection system with a protection degree greater than or equal to the protection degree of the luminaire.

Petra / Symmetric Optic



IP67

Available Colors for this Version



Warnings

Ground Recessed

- | | | | |
|--|---|--|---|
| | Recessed ground fitting | | Do not install in hollow areas |
| | Protection against water ingress from the cable | | Drive over. |
| | Protection against impact. IK 09 - 10,00 joule | | Installation requires a 40 cm water drainage layer (gravel) |
| | Pre-wired with approx 250mm of cable. | | Check that difuser's temperature 'T max °C' (tested at 25°C) complies with your local regulation. |
| | Static load: 2500Kg walk over (petra) | | |

Light Flux, Placement



070113

Light Source



QT 32 100W E27

T 190°C



Accessories



Code: 26
Box for installation
Ø 210 H 270 mm



Code: 233
Sandblasted glass for Petra
Ø 172 mm



Code: 215
3/4 way terminal block 3 poles IP68
(Ø 5,5÷12 mm cable)

