

# 504008

Product Sheet

# ares

THE OUTDOOR BY FLOS

ARES s.r.l - Socio Unico

v.le dell'Artigianato n.24 - 20881 Bernareggio - MB (Italy)

www.aresill.net - flos.outdoor@flos.com

## Pan

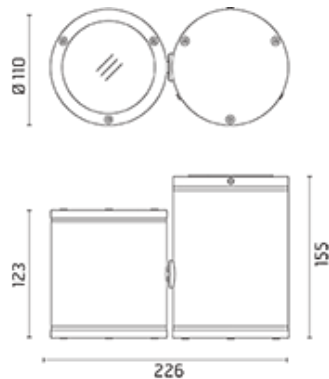
Spotlight for installation on wall, ceiling and floor or as a bollard light. Configuration: die-cast aluminium frame and cap, EN AB- 47100 alloy (low copper content) and extruded aluminium structure/pole. Glass diffuser: transparent, fixed to the aluminium structure through a robotic gluing system. The wiring unit is fixed to the installation surface and is fully adjustable on the vertical axis, while the fitting unit is fixed to the wiring unit and has a +/- 135° rotation on the horizontal axis. Double layer coating for high resistance to corrosion: the aluminium components are painted with a double coat using powders which are compliant with QUALICOAT standards: a first layer of epoxy powder (with excellent chemical and mechanical resistance) and a second finishing layer of polyester powder (resistant to UV rays and atmospheric agents). The entire painting process of the aluminium fitting starts from components which have been sand-blasted in advance to make the surface more porous and increase the adherence of the paint. Ares effects alkaline and acid washing to clean the surfaces completely, then rinses with demineralised water to remove any residue particles, subsequently a chemical conversion treatment is done to protect against rusting. Protection rating: IP65. In compliance with EN60598-1 standards. Class of insulation: I. Installation: wiring through two cable holders (5mm- $\varnothing$ -9mm cable) and a quick connect terminal block. We recommend installation on a concrete basement or surface, directly with bolts or through a dedicated fixing plate (to be ordered separately). Outdoor use requires suitable flexible cables assuring the watertightness of the cable gland.

IP65   

### Available Colors for this Version



### Pan CoB LED / Adjustable - Medium Beam 40°



### Product Code Details

## 504008

Light Source



NATURAL WHITE 4000K CoB LED 12W/220÷240V

Total power 15W

LED lm 1829 ÷ OUTPUT lm 1628

CRI>80

Integral electronic power supply



### Warnings

#### Projector



Ceiling fitting



Floor installation



Protection against impact.  
IK 07 - 02,00 joule



Wall fitting



The fitting is equipped with 2  
cable input.  
Ø max 10 mm

### Light Flux, Placement

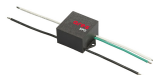


## Accessories

---



Code: 140  
Base plate and fixing bolts  
Ø 90 x H 170 mm



Code: 237  
SPD: (Surge Protection Device) 275Vac  
Maximum discharge current 10KA (8/20µs)  
Maximum operating current 5A  
Suitable for series connection - IP66