

# 7618413

Product Sheet

# ares

THE OUTDOOR BY FLOS

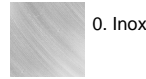
ARES s.r.l - Socio Unico  
v.le dell'Artigianato n.24 - 20881 Bernareggio - MB (Italy)  
www.aresill.net - flos.outdoor@flos.com

## Cassiopea

Square or round luminaire - for installation in-ground where recessing depth are limited (up to 120mm) - recessed. Configuration: die-cast aluminium structure, EN AB-47100 alloy (low copper content). Double layer coating for high resistance to corrosion: the aluminium components are painted with a double coat using powders which are compliant with QUALICOAT standards: a first layer of epoxy powder (with excellent chemical and mechanical resistance) and a second finishing layer of polyester powder (resistant to UV rays and atmospheric agents). The entire painting process of the aluminium fitting starts from components which have been sandblasted in advance to make the surface more porous and increase the adherence of the paint. Ares effects alkaline and acid washing to clean the surfaces completely, then rinses with demineralised water to remove any residue particles, subsequently a chemical conversion treatment is done to protect against rusting. Protection rating: IP67 In compliance with EN 60598-1 standards Class of insulation: I Installation: the luminaire is equipped with a piece of cable with a 2-way connector for 3-conductor cables (H2O STOP) for an easy-to-make connection. RGB version: the luminaire is equipped with 2 pieces of cable, no H2O STOP connector provided. Outdoor use requires suitable flexible cables. Installation requires a dedicated box to be ordered separately. It is important to provide a >300mm gravel layer or a drain system (for concrete surfaces) to ensure good drainage and to avoid water stagnation. We recommend the use of a connection system with a protection degree greater

IP67

### Available Colors for this Version

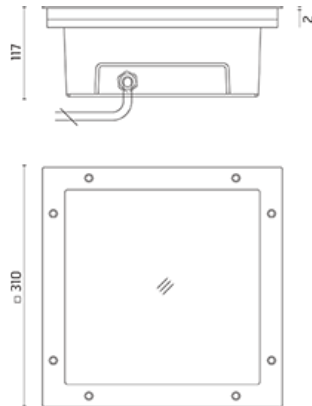


### Warnings

#### Ground Recessed

- Recessed ground fitting
- Do not install in hollow areas
- Protection against water ingress from the cable
- Drive over.
- H2O STOP
- 50Nm 5kN
- Protection against impact. IK 09 - 10,00 joule
- Installation requires a 30 cm water drainage layer (gravel)
- Pre-wired with approx 250mm of cable.
- Static load: 2000Kg walk over (round version)  
Static load: 3000Kg walk over (square version)
- Check that diffuser's temperature 'T max °C (tested at 25°C) complies with your local regulation. Glass surface temperature

### Cassiopea Power LED / Square Version - Medium Beam 30°



### Light Flux, Placement



### Product Code Details

# 7618413

Light Source



NATURAL WHITE 4000K POWER LEDs 22W/110÷240V  
Total power 28W  
LED lm 2664 ÷ OUTPUT lm 2041  
CRI >80  
Integral electronic power supply  
Dimmable on request



## Accessories

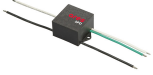
---



Code: 74  
Box for installation  
405 x 405 H 120 mm



Code: 215  
3/4 way terminal block 3 poles IP68  
(Ø 5,5-12 mm cable)



Code: 237  
SPD: (Surge Protection Device) 275Vac  
Maximum discharge current 10KA (8/20µs)  
Maximum operating current 5A  
Suitable for series connection - IP66