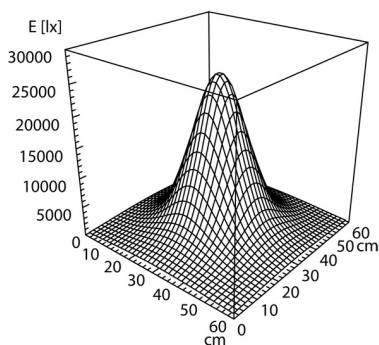
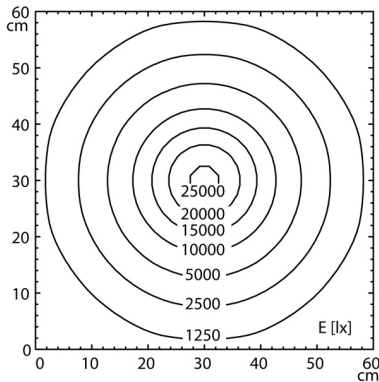
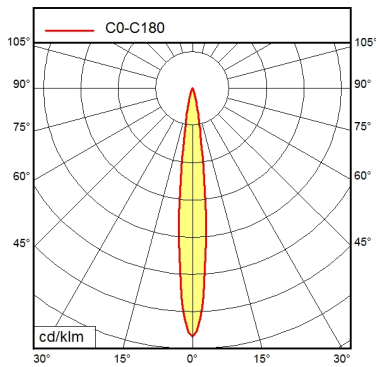
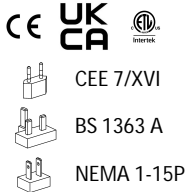
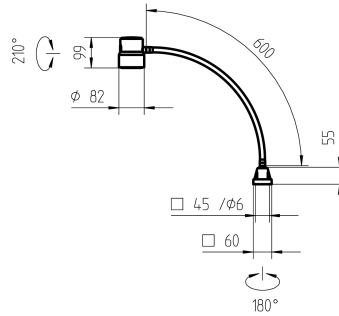


Flexible-tube luminaire SLF 500/750

113261000-00641180

Waldmann **W**

ENGINEERS OF LIGHT



- light source**
- work equipment**
- connected load**
- power consumption**
- luminous flux**
- luminous efficiency**
- light type/-color**
- colour temperatur**
- color rendering index**
- light distribution**
- glare control**
- system of protection**
- class of protection**
- technology**
- operation**
- housing**
- cover**
- arm**
- weight (net)**
- mains lead**
- fastening**
- maximum ambient temperature**
- special features**

- LED
- electronic plug-in transformer
- 100-240 V, 50/60 Hz
- env. 6 W
- approx. 490 lm
- approx. 81 lm/W
- cold white
- approx. 5.000 K
- CRI > 70
- narrow-beam; direct
- screen
- IP 67
- II with plug-in power supply, III without plug-in power supply
- switchable; no notice
- push button
- aluminium; painted; black
- borosilicate
- black
- ca. 1,7 kg
- ca. 3,00 m; mains plug; CEE 7/XVI; BS 1363 A; NEMA 1-15P
- screw-down flange
- 40 °C
- Spot with a 10° angle of radiation