

X-BEAM

26-Oct.-2016

1.0

LED 18W | 220-240VAC | 50-60Hz | COB 2-step | incl. PS | phase-cut dim

CE IP65 960° 0.3m 120° 0-110°

3000K | >80CRI | 1040lm

dark grey texture

700264D4

ACCESSORIES

snoot

90019005

2.0

LED 16W | 220-240VAC | 50-60Hz | COB 2-step | incl. PS | phase-cut dim

CE IP65 960° 0.3m 9x12° 0-110°

3000K | >80CRI | 895lm

dark grey texture

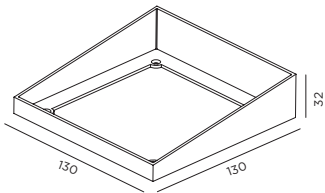
700254D4

ACCESSORIES

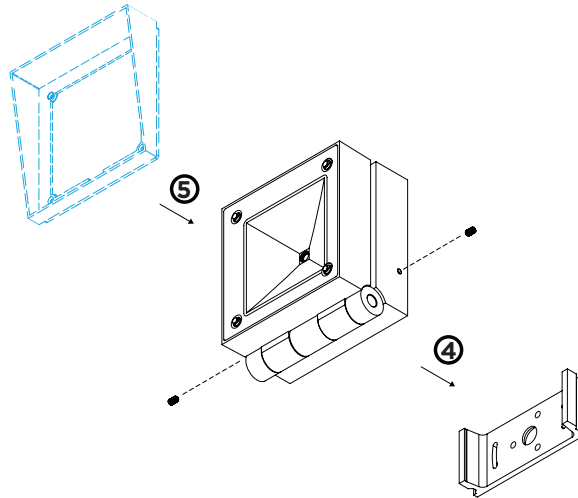
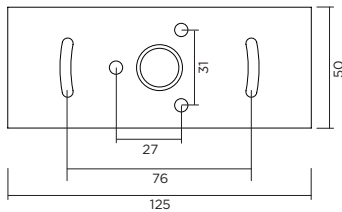
snoot

90019005

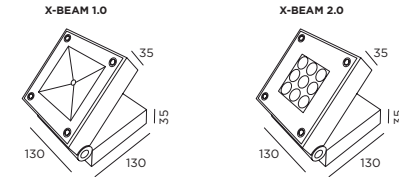
snoot dimensions - optional



base plate dimensions



DIMENSIONS

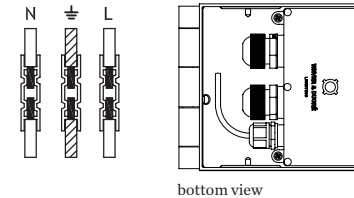


MOUNTING INSTRUCTION

- 1 Remove the base plate
- 2 Fixate the base plate to the wall with screws

POWER CONNECTION

- 3 Connect the wires with waterproof connections in the space in the bottom of the fixture



- 4 Fixate the base fixture to the base plate with side screws
- 5 OPTIONAL
Click the snoot on the X-BEAM



WEVER & DUCRÉ
LIGHTING

www.weverducre.com

Wever & Ducre bvba Kwadestraat 153 bus 2.1 8800 Roeselare

INSTALLATION
INSTRUCTIONS
PAGE 2/2