

# REVER WALL 1.1

with plug

01-Aug.-2017

## REVER WALL 1.1

LED C35 or P25 max. 6W | E14 | 220-240VAC | 50-60Hz | Dimmable  
| Plating steel (C/G/N/P/W/B) | Polycarbonate (TG/SG/CW/AY/HR)

CE IP20

### DIFFUSER COLOUR

	tea green	6511CTG_
	smoke grey	6511CSG_
	champ. white	6511CCW_
	amber yellow	6511CAY_
	hip rose	6511CHR_

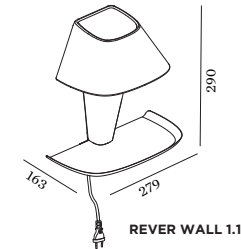
### TRAY COLOUR

CHROME	C
BLACK CHROME	N
LIGHT GOLD	G
PINK COPPER	P
WHITE	W
BLACK	B

### PLUG&CABLE COLOUR

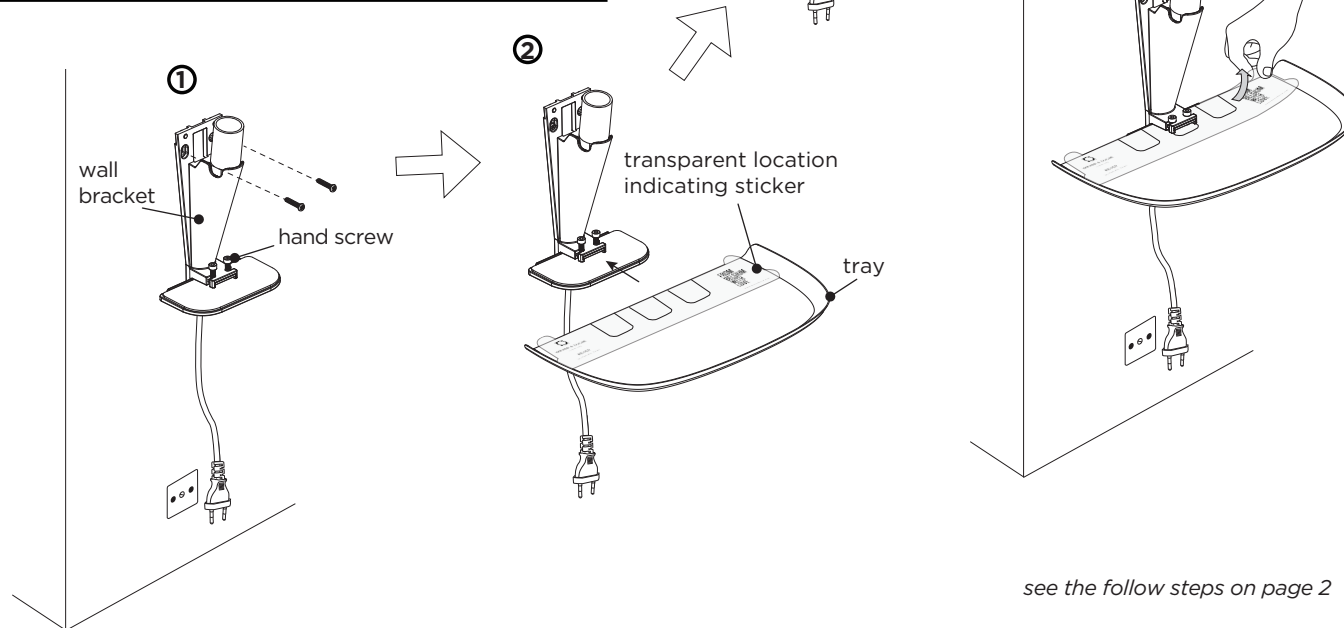
WHITE	W
BLACK	B

## DIMENSIONS



## MOUNTING INSTRUCTION

- ① Mount the bracket on the wall with two screws.
- ② Insert the tray to the wall bracket, and select the right position.
- ③ Tighten the two screws by hand.
- ④ Remove the transparent location indicating sticker.



see the follow steps on page 2



WEVER & DUCRÉ  
LIGHTING

[www.weverducre.com](http://www.weverducre.com)

Wever & Ducre bvba Kwadestraat 153 bus 2.1 8800 Roeselare

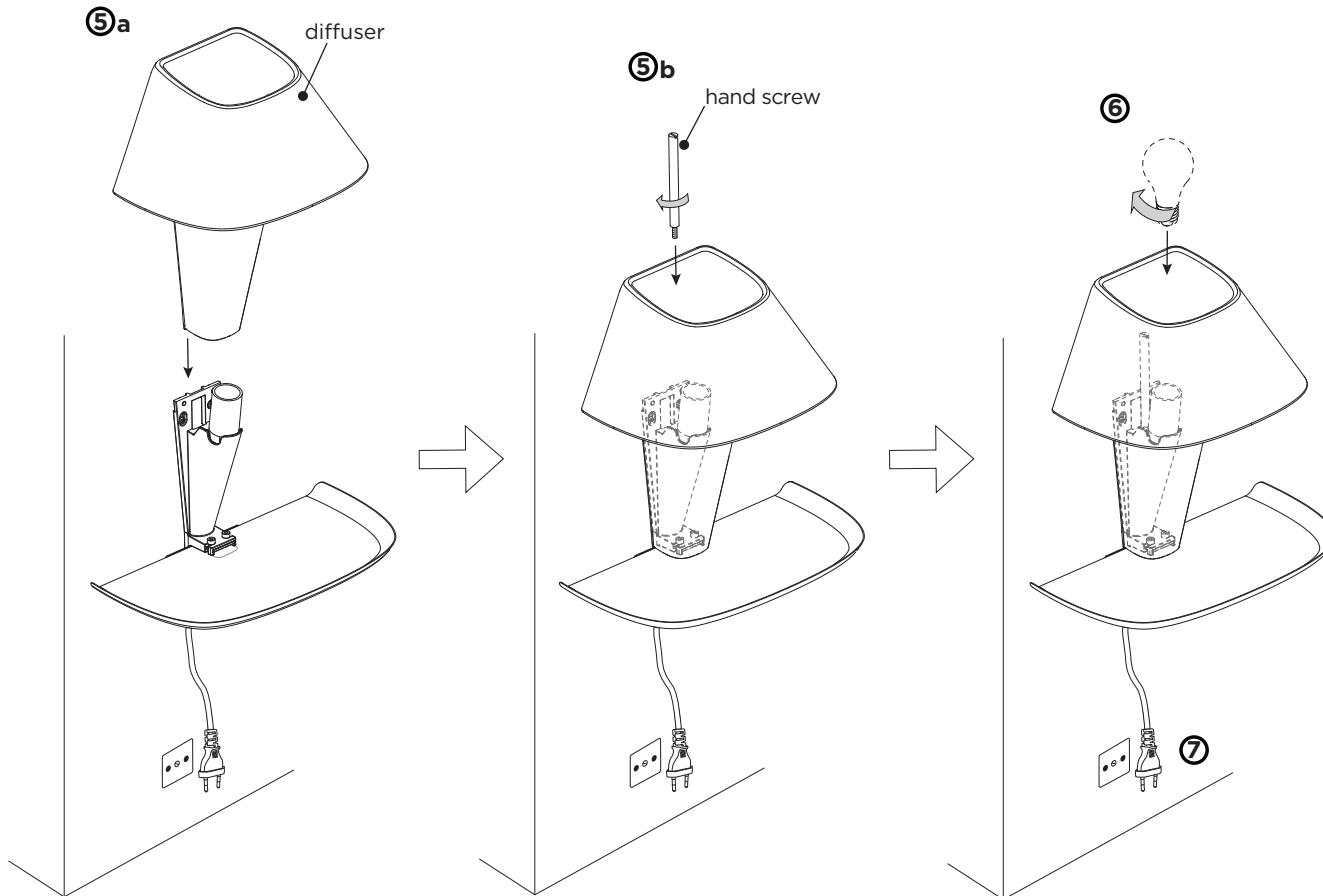
INSTALLATION  
INSTRUCTIONS

PAGE 1/2

# REVER WALL 1.1

with plug

01-Aug.-2017



- ⑤ Mount the diffuser.
  - a Use a diffuser to cover the bracket.
  - b Then fix the diffuser onto the bracket with the hand screw.
- ⑥ Fix a bulb into the diffuser, bulb is not included. Applies only to **LEADING EDGE LED DIMMABLE BULB**.
- ⑦ Connect the power with the plug.