

PLUXO

MOUNTING INSTRUCTION

03-12-2015

1.0 LED

LED 8W | 220-240V | 50-60Hz | COB 3-step | incl. PS | phase-cut dim

CE IP20 960°C 0,3m P 36° 45°/45° 10°

white texture	142164W_
silver / grey	142164S_
black texture	142164B_

LIGHT COLOUR

2700K >80CRI 480lm	2
3000K >80CRI 480lm	4

1.0 PAR16

PAR16 max. 50W | GU10 | 220-240VAC | 50-60Hz

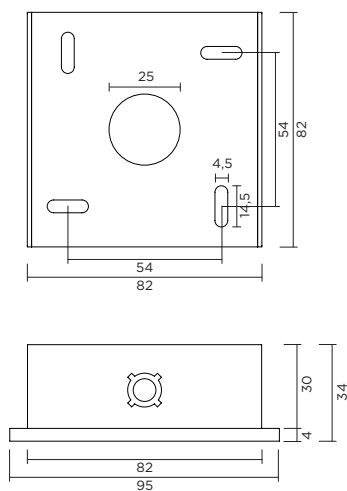
CE IP20 960°C 0,9m 45°/45° 10°

white texture	142120W0
silver / grey	142120S0
black texture	142120B0

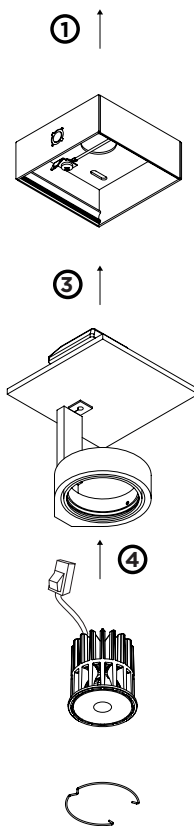
OPTIONAL

for PAR16 lamps see our catalogue

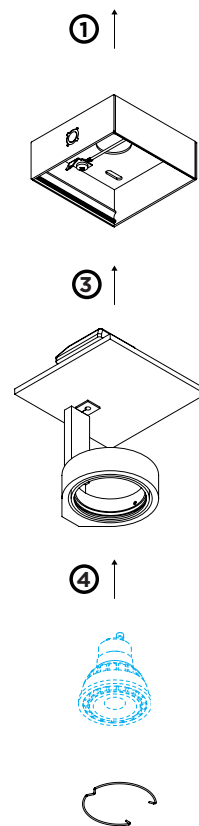
ceiling base dimensions



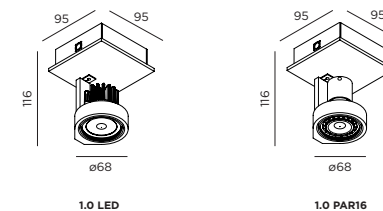
1.0 LED



1.0 PAR16



DIMENSIONS



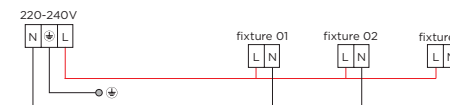
MOUNTING INSTRUCTION

- 1 Mount the ceiling base to the ceiling with screws

POWER CONNECTION

- 2 Connect the earthing wire to the slider on the ceiling base.

PARALLEL CONNECTION



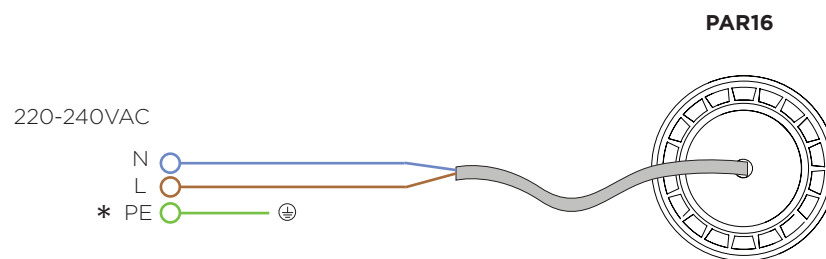
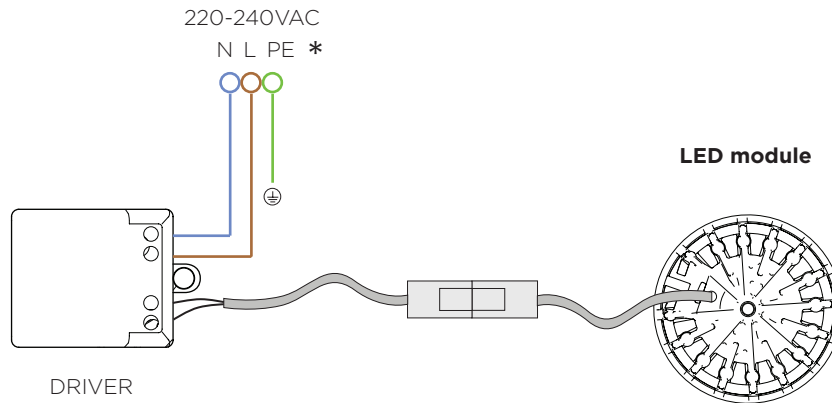
Connect the LED module to the terminal block on the fixture.

- 3 Click the PLUXO on the ceiling base
- 4 Insert the lamp and fix with spring



PLUXO

POWER CONNECTION
03-12-2015



POWER CONNECTION

* Connect per PLUXO fixture the earthing wire to the slider on the ceiling base.

LED module

Connect the LED module to the terminal block on the fixture. Now the LED module is connected to the driver. Connect the input of the driver to 220-240VAC like mentioned on the illustration.

PAR16

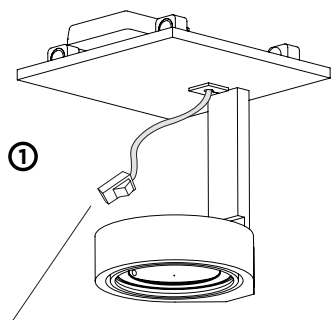
Connect the PAR16 directly to 220-240VAC like mentioned on the illustration.



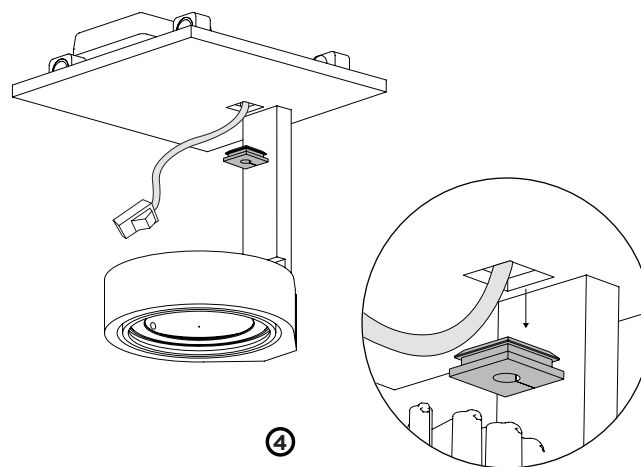
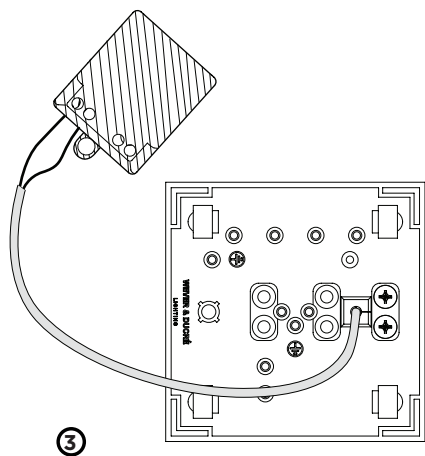
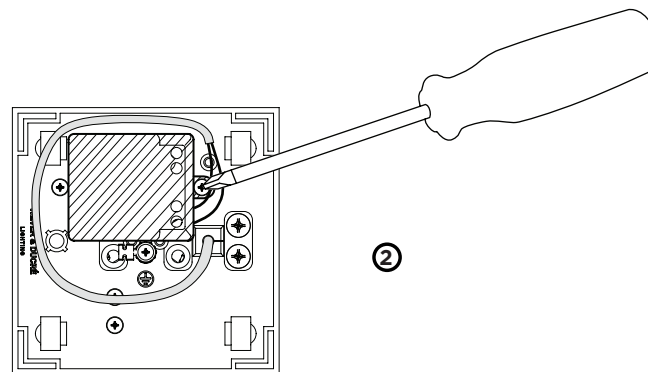
PLUXO

HOW TO PUT CONNECTOR IN CEILING BASE

03-12-2015



Connector from power supply.



HOW TO PUT CABLE & CONNECTOR IN THE CEILING BASE?

For example we take the LED version.

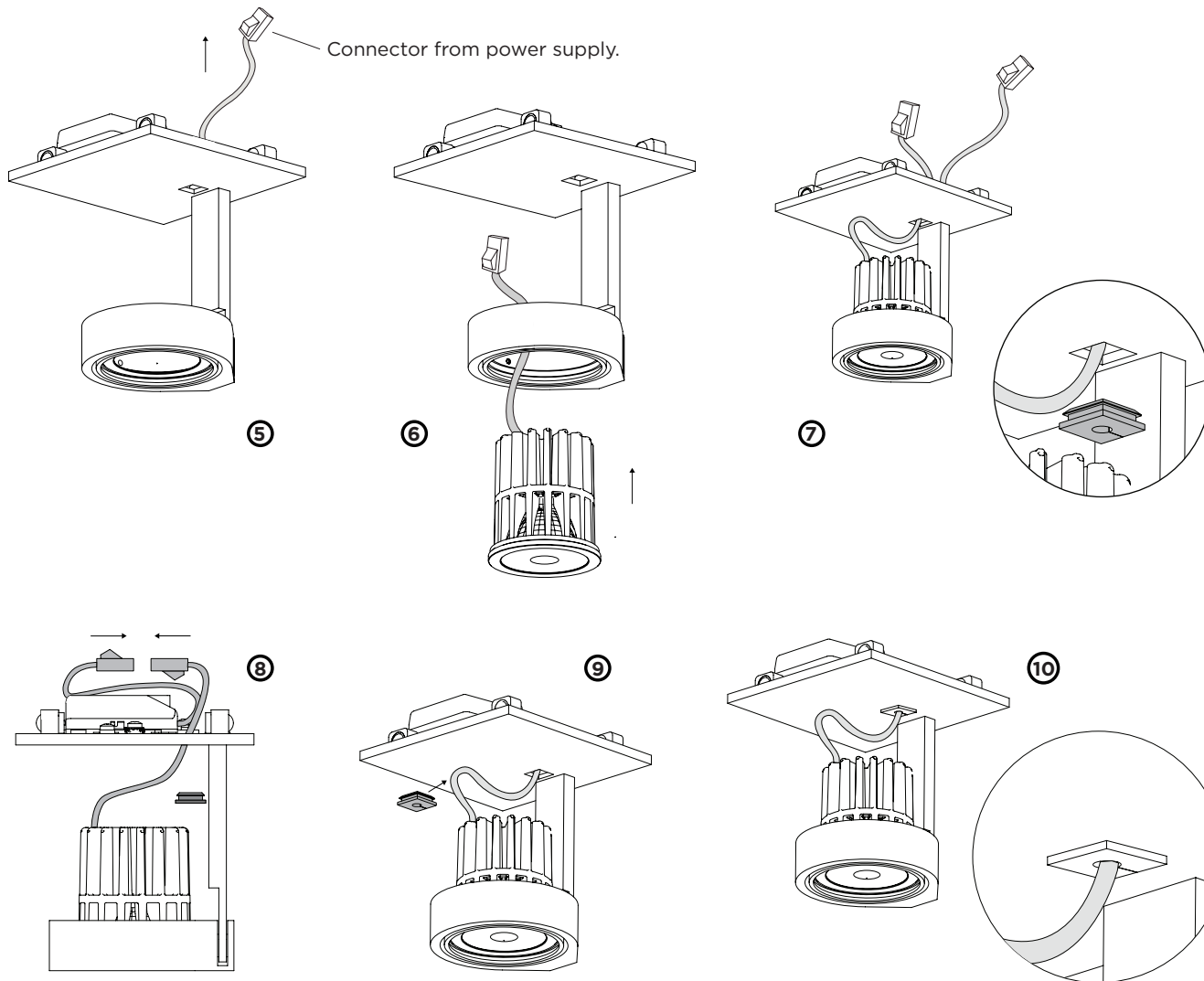
- ① Unpack the fixture from the packaging. With the LED version you'll see that the connector is placed at the visible side of the fixture.
- ② Unscrew the screws that hold the power supply at it's place.
- ③ Remove the power supply so you have enough space to remove the rubber gasket.
- ④ Remove the small rubber gasket.



PLUXO

HOW TO PUT CONNECTOR IN CEILING BASE

03-12-2015



HOW TO PUT CABLE & CONNECTOR IN THE CEILING BASE?

- ⑤ Pull the cable with connector, from the power supply, upwards through the opening.
- ⑥ Connect the LED module on the fixture.
- ⑦ Pull the cable with connector, from the LED module, upwards through the opening. Keep in mind that there are labels attached to this cable. Also pull these labels through the opening.
- ⑧ Connect both connectors to each other. (LED module - power supply)
- ⑨ Put the rubber gasket back on the wire.
- ⑩ Fixate the rubber gasket back in the hole of the fixture.

Don't forget to place the power supply back on the fixture by screws.

