

LYNER

20-05-2015

2.5 | 4.5

LED 8W | 220-240VAC | 50-60Hz | COB 3-step | incl. power supply

CE \oplus IP20 \square 960°C \downarrow 0,3m \oplus \angle 36° \blacksquare

2.5

3000K | >80CRI | 480lm | 200mm

white texture

201163W4

aluminium brushed

201163L4

4.5

3000K | >80CRI | 480lm | 400mm

white texture

201263W4

aluminium brushed

201263L4

3.8 | 5.8

LED 10W | 220-240VAC | 50-60Hz | COB 3-step | incl. power supply

CE \oplus IP20 \square 960°C \downarrow 0,3m \oplus \angle 36° \blacksquare

3.8

3000K | >80CRI | 640lm | 300mm

white texture

201363W4

aluminium brushed

201363L4

5.8

3000K | >80CRI | 640lm | 500mm

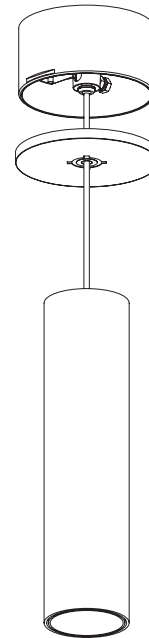
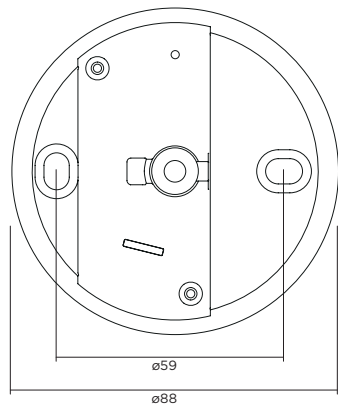
white texture

201463W4

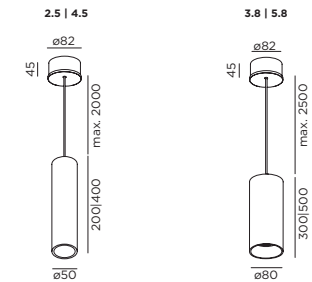
aluminium brushed

201463L4

baldachin dimensions



DIMENSIONS



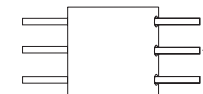
MOUNTING INSTRUCTION

- 1 Remove the top cover
- 2 Fixate the baldachin to the ceiling with screws

3 POWER CONNECTION

Connect the power supply

Interior: STANDARD version



- 4 Close the top cover



WEVER & DUCRÉ
LIGHTING

www.weverducre.com

INSTALLATION
INSTRUCTIONS