

CORY

01-06-2015

6.6

LED 14W | 220-240VAC | 50-60Hz | PCB 3-step | incl. PS |phase-cut dim

CE IP20 960°C 0,3m

3000K | >85CRI | 1535lm

white texture

206174W4

9.6

LED 20W | 220-240VAC | 50-60Hz | PCB 3-step | incl. PS |phase-cut dim

CE IP20 960°C 0,3m

3000K | >85CRI | 2731lm

white texture

206274W4

12.0

LED 30W | 220-240VAC | 50-60Hz | PCB 3-step | incl. PS |phase-cut dim

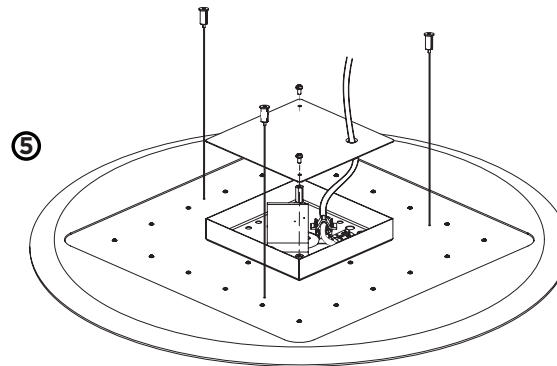
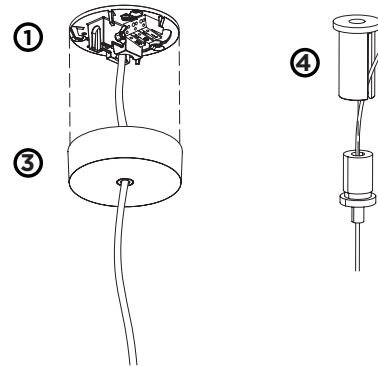
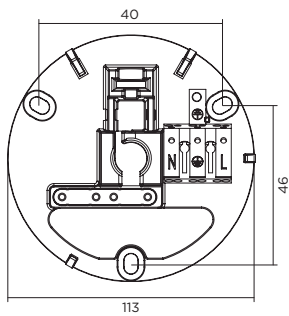
CE IP20 960°C 0,3m

3000K | >85CRI | 2870lm

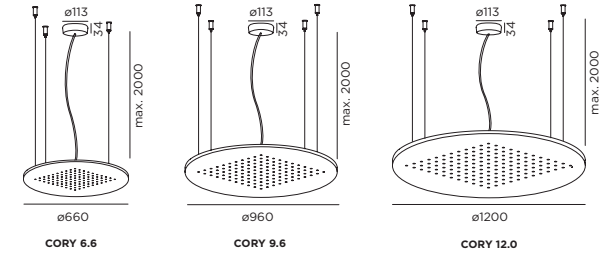
white texture

206374W4

Baldachin dimensions



DIMENSIONS



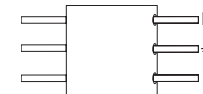
MOUNTING INSTRUCTION

- 1 Disassemble the baldachin and mount it on the ceiling with screws

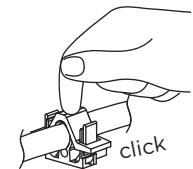
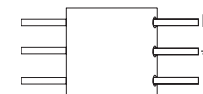
POWER CONNECTION

- 2 Connect the wires

Interior: STANDARD version



- 3 Attach the cover to the baldachin
- 4 Mount the rope fixation on the ceiling with screws
- 5 Open the converter housing and connect the wires. Make sure strain relief is closed.



WEVER & DUCRÉ
LIGHTING

www.weverducre.com

INSTALLATION
INSTRUCTIONS