

# BOXX

04-05-2015

## 1.0

LED | 2x8W | 220-240VAC | 50-60Hz | PCB 3-step | incl. PS | phase-cut dim

CE | IP65 | 960° C | 0,3m | G | H

3000K | >80CRI | 2x680lm

white texture  
dark grey texture  
black texture

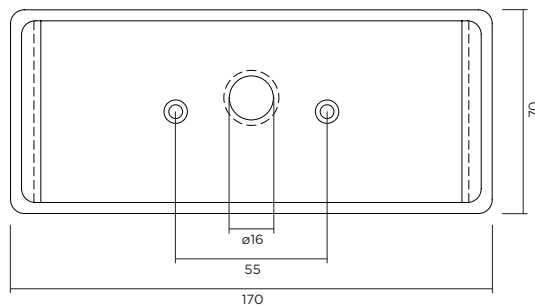
730144W4  
730144D4  
730144B4

### OPTIONAL

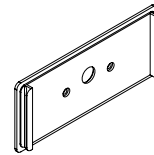
flaps for adjustable beam angle

900402W0

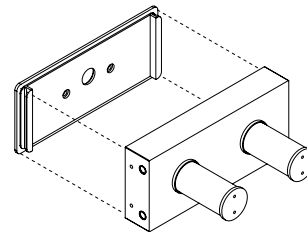
back plate dimensions



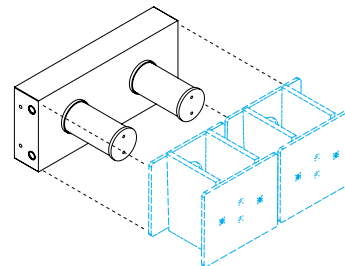
①



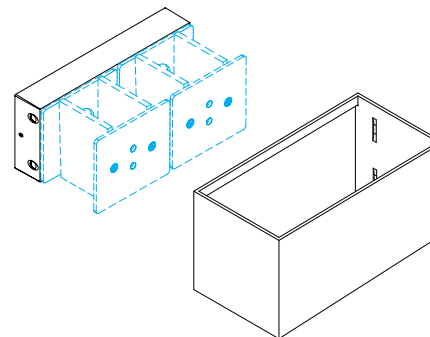
②



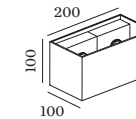
⑤



⑥



## DIMENSIONS



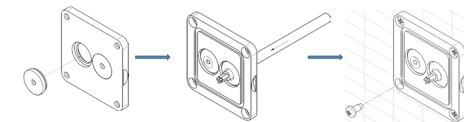
## MOUNTING INSTRUCTION

- ① Remove the lamp base
- ② Fixate the back plate to the wall with screws

## ③ POWER CONNECTION

Exterior: WATERPROOF Connection

IP-rated connections for wall fixtures: cable isolation for round cables  $\varnothing$  4.5-7.5 mm, should be in the grommet. For cable use  $\varnothing$  7.0-9.5 mm: replace the grommet with the other grommet in the bag.



Push the grommet into the back plate.

Pull the cable through the back plate.

Mount the back plate on the wall.

- ④ Fixate the lamp base to the back plate.
- ⑤ OPTIONAL:  
Mount the flaps over the fixture base and fixate
- ⑥ Click the BOXX cover over the flap.



WEVER & DUCRÉ  
LIGHTING

[www.weverducre.com](http://www.weverducre.com)

INSTALLATION  
INSTRUCTIONS