

# WIRO INDUSTRY

12-05-2016

## 1.0

QA60 max. 60W | E27 | 220-240VAC | 50-60Hz | 6.00kg

CE IP20 960°C 0,9m

grey texture  
black texture

2301E0T0  
2301E0B0

for lamps see our catalogue

## 2.0

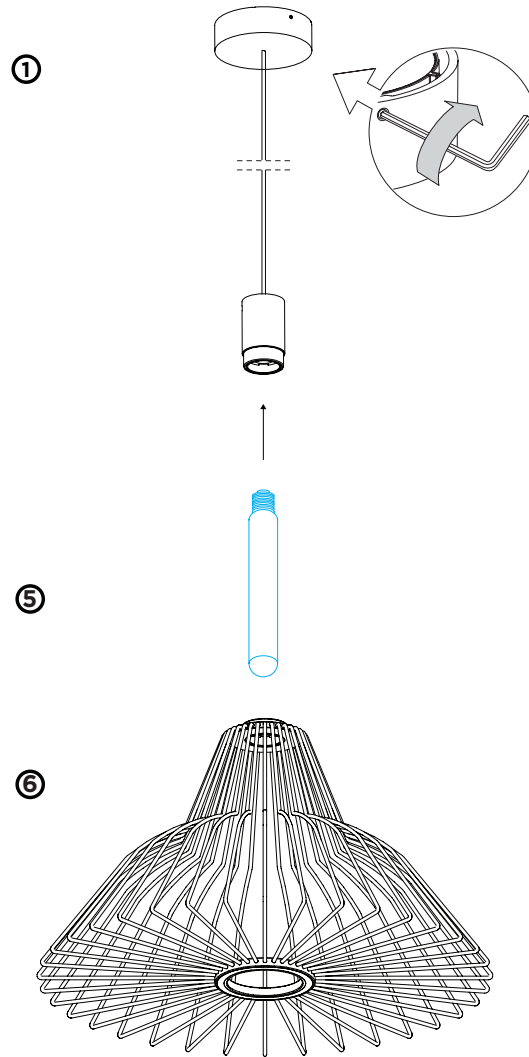
QA60 max. 60W | E27 | 220-240VAC | 50-60Hz | 9.00kg

CE IP20 960°C 0,9m

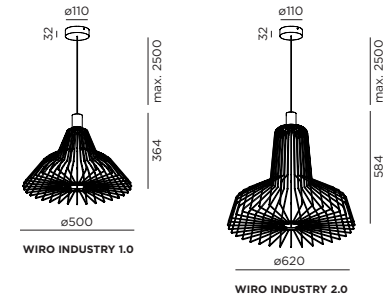
green texture  
black texture

2302E0O0  
2302E0B0

for lamps see our catalogue



## DIMENSIONS

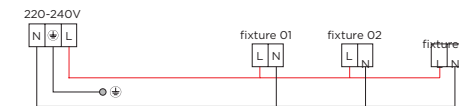


## 1 MOUNTING INSTRUCTION

Mount the ceiling base on the ceiling

## 2 POWER CONNECTION

PARALLEL CONNECTION



## 3 Secure strain relief

## 4 Adjust cable length

## 5 Insert lamp in the socket (lamp is not included)

## 6 Mount the fixture by screwing it on the socket.

For more detailed information see page 2.



WEVER & DUCRÉ  
LIGHTING

[www.weverducre.com](http://www.weverducre.com)

INSTALLATION  
INSTRUCTIONS

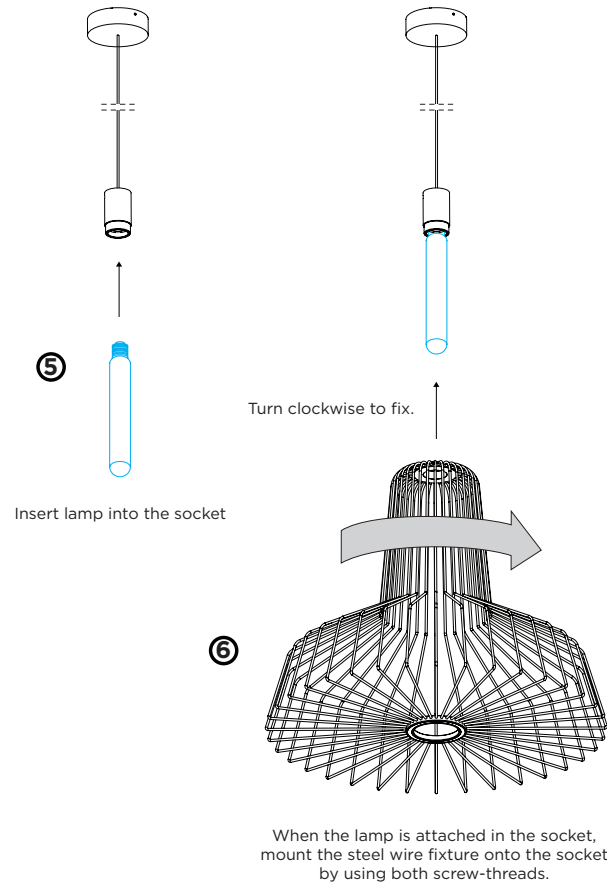
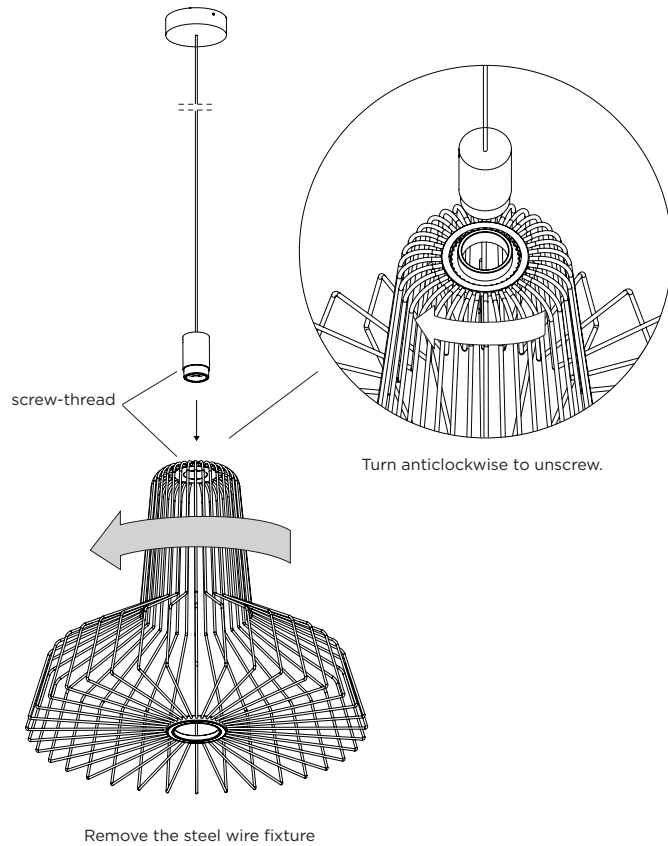
PAGE 1/2

# WIRO INDUSTRY

## DETAILED MOUNTING INSTRUCTION

12-05-2016

### DETAILED MOUNTING INSTRUCTION.



- ⑤ Insert lamp in the socket (lamp is not included)
- ⑥ Mount the fixture by screwing it on the socket.

