

VENN 3.0

19-Oct.-2016

3.0

LED (47W) | 220-240VAC | 50-60Hz | PCB3-step | phase-cut dim

CE IP20 950°C 0.3m P

White texture

149384W_

Black texture

149384B_

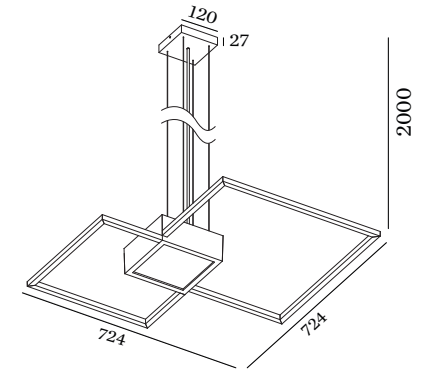
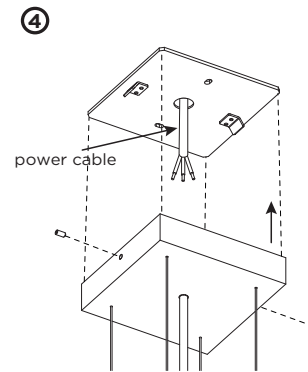
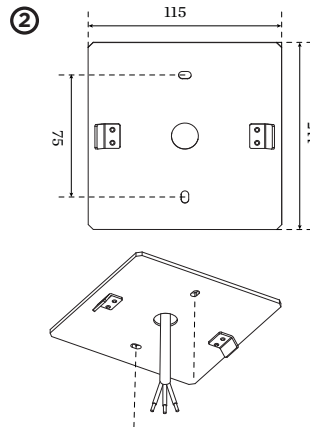
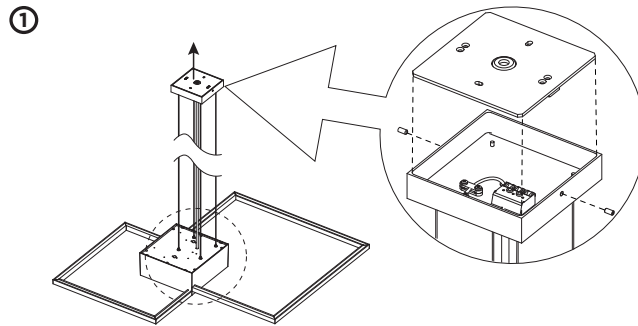
LIGHT COLOUR

2700K | >80CRI | direct 400lm, indirect 2500lm

2

3000K | >80CRI | direct 400lm, indirect 2500lm

4



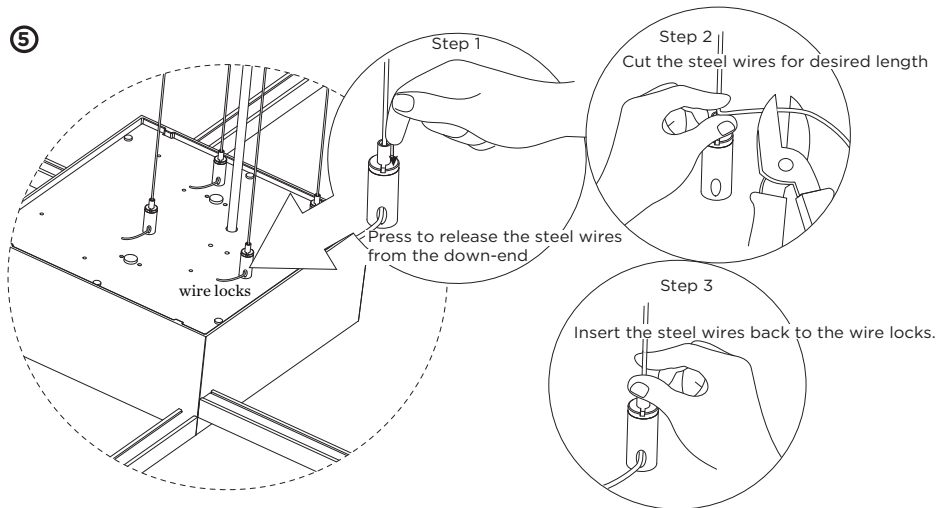
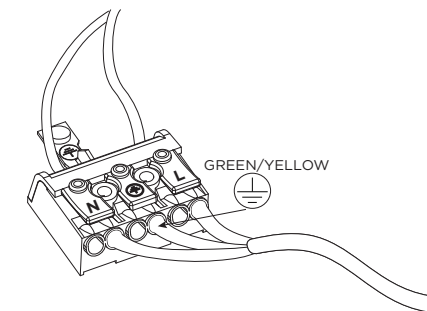
DIMENSIONS

MOUNTING PLATE FIXATION

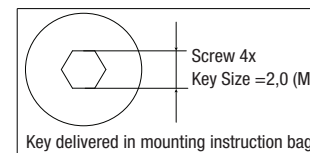
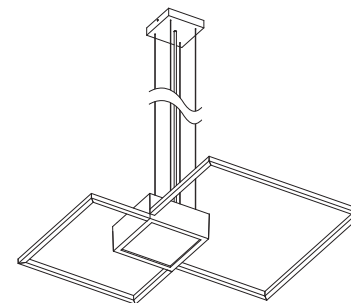
- 1 Remove the mounting plate.
- 2 Fixate the mounting plate to the ceiling with screws.

POWER CONNECTION

- 3 Connect the power cable.



6



- 4 Fixate the mounting box to the mounting plate.
- 5 Option: Shorten the length of the steel wires.
- 6 Complete



WEVER & DUCRÉ
LIGHTING

www.weverducre.com

Wever & Ducre bvba Kwadestraat 153 bus 2.1 8800 Roeselare

INSTALLATION
INSTRUCTIONS

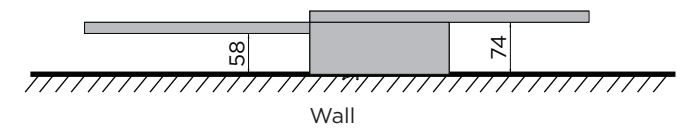
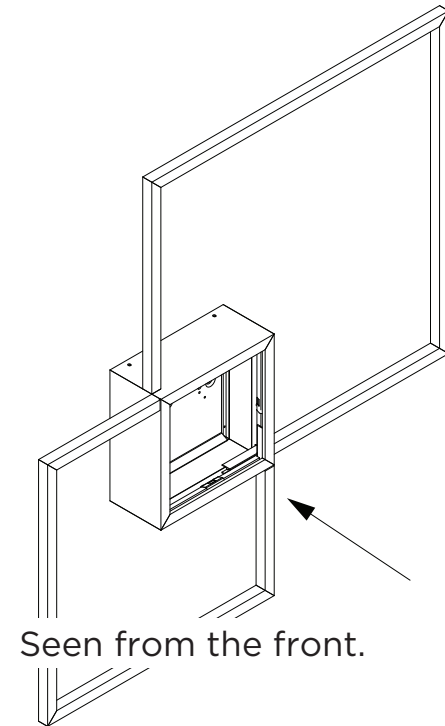
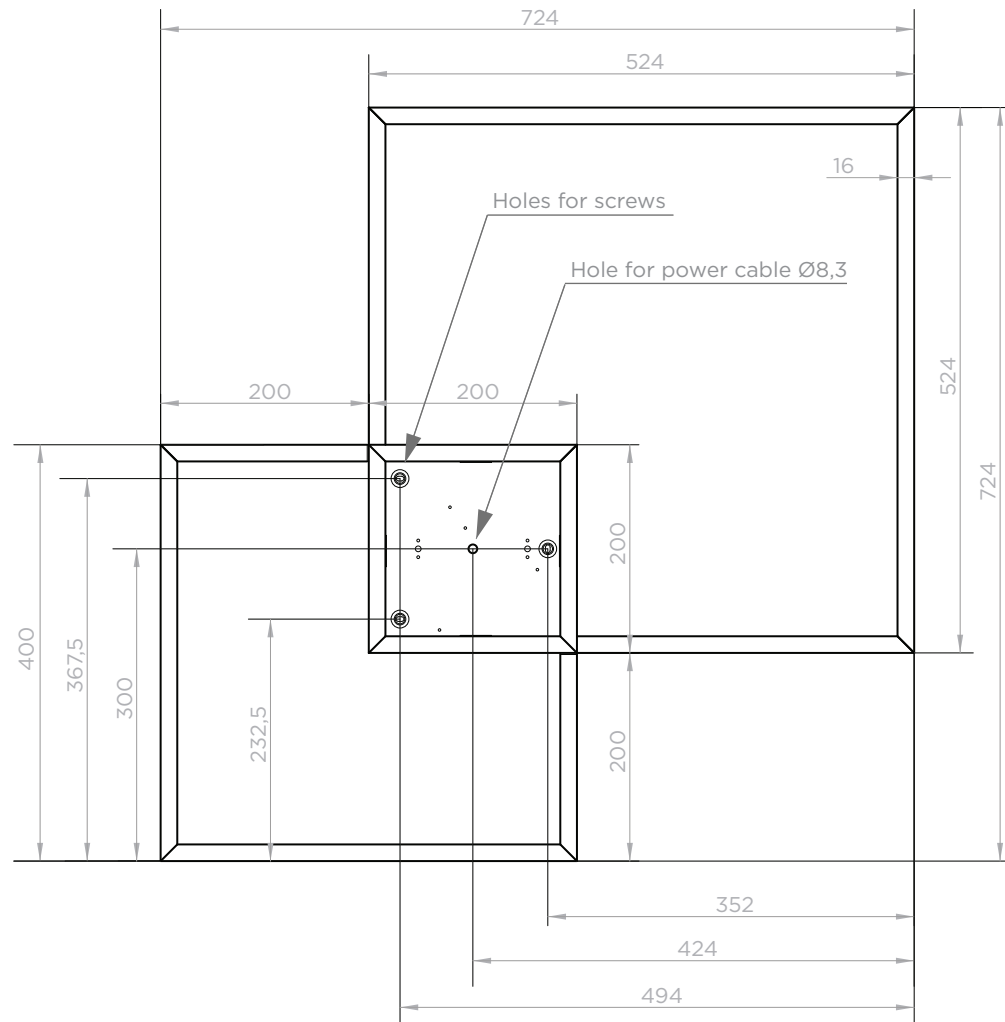
PAGE 1/2

VENN 3.0

DETAILED MOUNTING INSTRUCTION

19-Oct.-2016

DETAILED DIMENSIONS VENN:



PB19-01C-412-00