

# VENN 2.0

19-Oct.-2016

## 2.0

LED (47W) | 220-240VAC | 50-60Hz | PCB3-step | phase-cut dim

CE IP20 960°C 10.3m P

White texture

149284W

Black texture

149284B

### LIGHT COLOUR

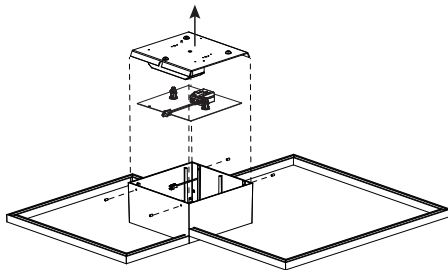
2700K | >80CRI | direct 400lm, indirect 2500lm

2

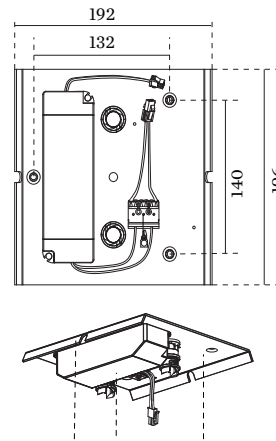
3000K | >80CRI | direct 400lm, indirect 2500lm

4

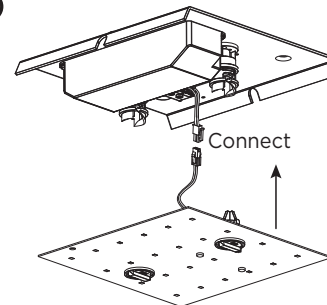
①



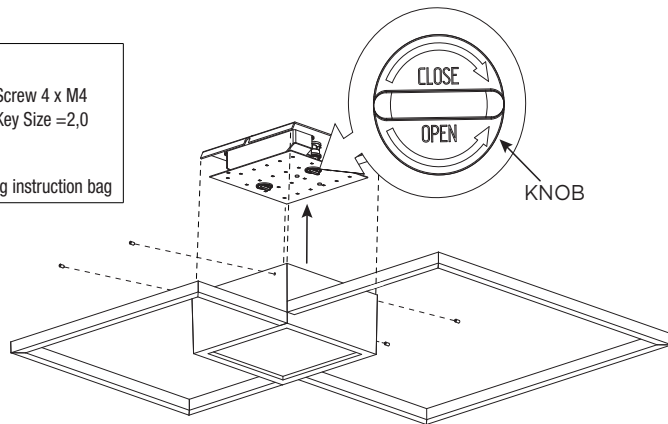
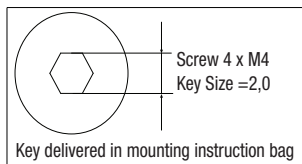
②



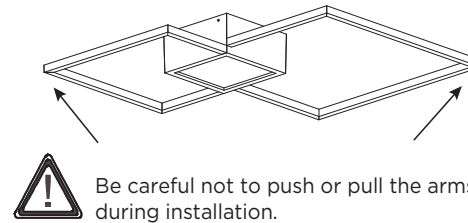
④



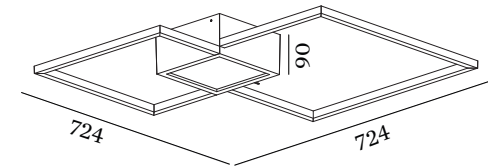
⑤



⑥



## DIMENSIONS

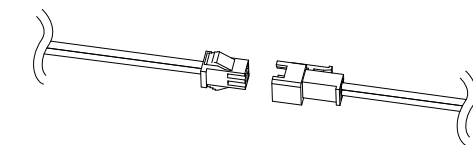
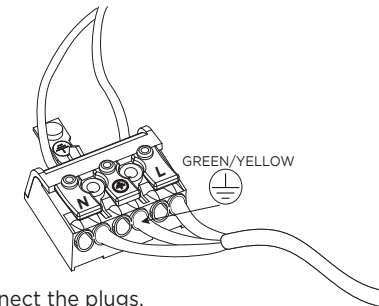


## MOUNTING PLATE FIXATION

- ① Remove the mounting plate & PCBA combination and twist the two knobs (SEE DRAWING 5) of PCBA to **open** to separate them.
- ② Fixate the mounting plate to the wall/ceiling with screws.

## POWER CONNECTION

- ③ Connect the terminal block.



- ④ Connect the PCBA on the mounting plate and twist the two knobs to **close**.
- ⑤ Fixate the lamp base back to the mounting plate.
- ⑥ Complete



WEVER & DUCRÉ  
LIGHTING

[www.weverducre.com](http://www.weverducre.com)

Wever & Ducre bvba Kwadestraat 153 bus 2.1 8800 Roeselare

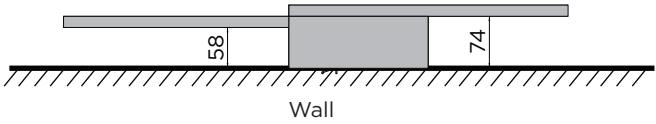
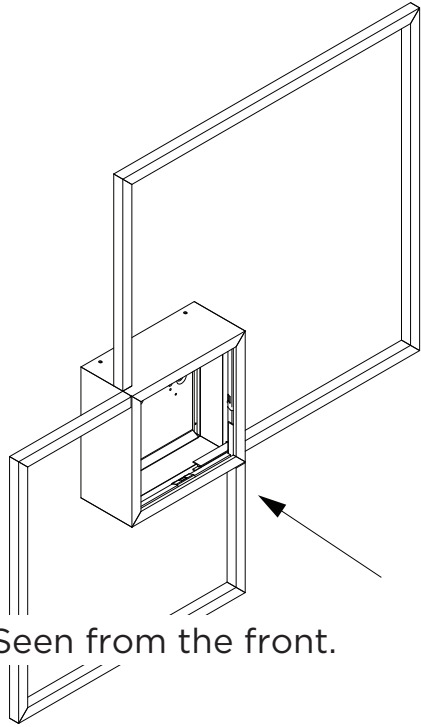
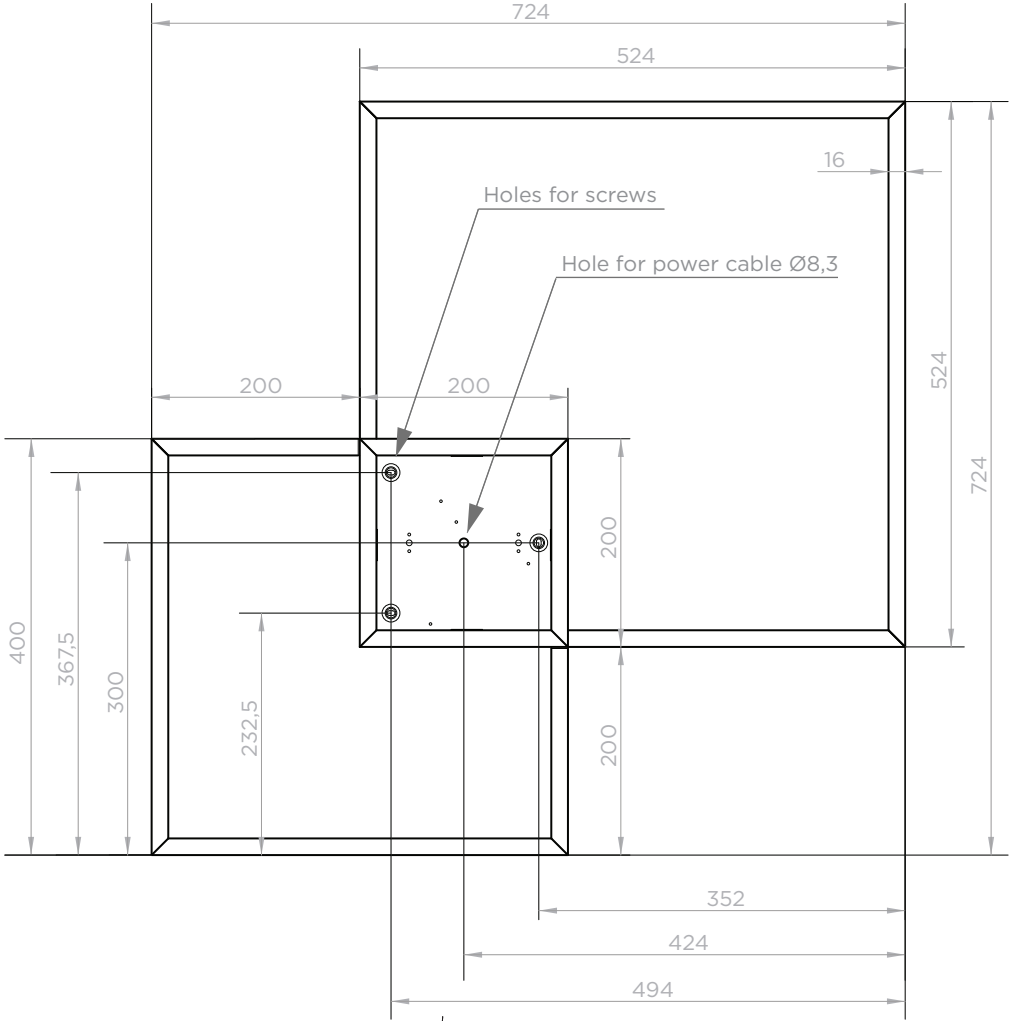
INSTALLATION  
INSTRUCTIONS

PAGE 1/2

# VENN 2.0

**DETAILED MOUNTING INSTRUCTION**  
19-Oct.-2016

**DETAILED DIMENSIONS VENN:**



PB19-010-411-00