

# STRANGE CARRÉ

10-05-2016

## 0.8

**LED** 4/6W | 500-700mA | 6Vf | PCB 3-step | excl. power supply

CE IP20 960°C 0.3m 16

3000K | >80CRI | 280-340lm

white texture  
silver / grey

304171W4  
304171S4

### ALWAYS USE

for power supplies see our catalogue

## 1.7

**LED** 4/6W | 500-700mA | 6Vf | PCB 3-step | excl. power supply

CE IP20 960°C 0.3m 16

3000K | >80CRI | 280-340lm

white texture  
silver / grey

304471W4  
304471S4

### ALWAYS USE

for power supplies see our catalogue

## 2.7

**LED** 4/6W | 500-700mA | 6Vf | PCB 3-step | excl. power supply

CE IP20 960°C 0.3m 16

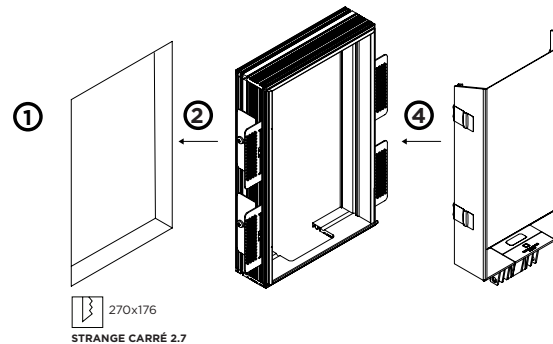
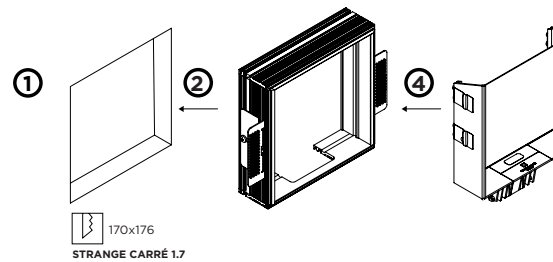
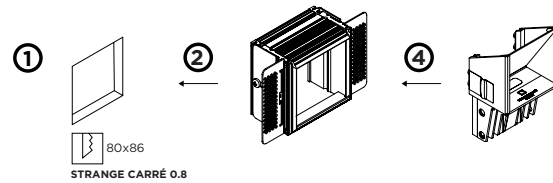
3000K | >80CRI | 280-340lm

white texture  
silver / grey

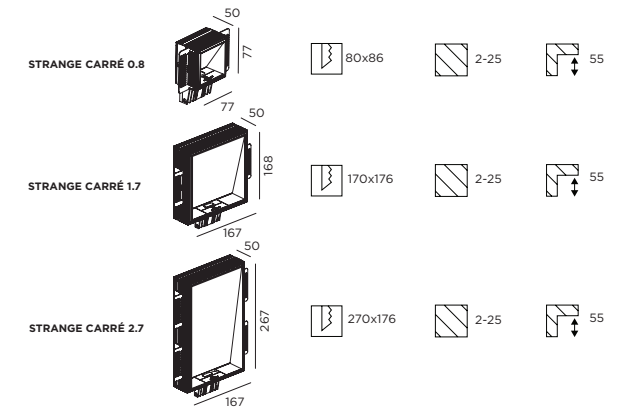
304571W4  
304571S4

### ALWAYS USE

for power supplies see our catalogue



## DIMENSIONS



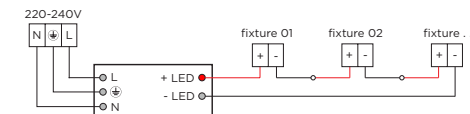
## MOUNTING INSTRUCTION

- ① Make a hole in the wall according to the prescribed dimensions.
- ② Insert the plaster kit and plaster the borders seamlessly

## POWER CONNECTION

### ③ SERIAL CONNECTION

Always use **POWER SUPPLY** according to the specifications of the LED-module



- ④ Click the fixture in the plaster kit



WEVER & DUCRÉ  
LIGHTING

[www.weverducre.com](http://www.weverducre.com)

INSTALLATION  
INSTRUCTIONS