

ROB

03-Nov-2017

1.6 HV

LED 12W | 220-240VAC | 50-60Hz | PCB 3-step | phase cut dim

CE IP44 0,3m P

white texture 701184W_
silver / grey 701184S4

LIGHT COLOUR

2700K | >80CRI | 750lm (only available for the white version) 2
3000K | >80CRI | 850lm 4

2.6 HV

LED 18W | 220-240VAC | 50-60Hz | PCB 3-step | phase cut dim

CE IP44 0,3m P

white texture 701284W_
silver / grey 701284S4

LIGHT COLOUR

2700K | >80CRI | 1250lm (only available for the white version) 2
3000K | >80CRI | 1400lm 4

3.5 HV

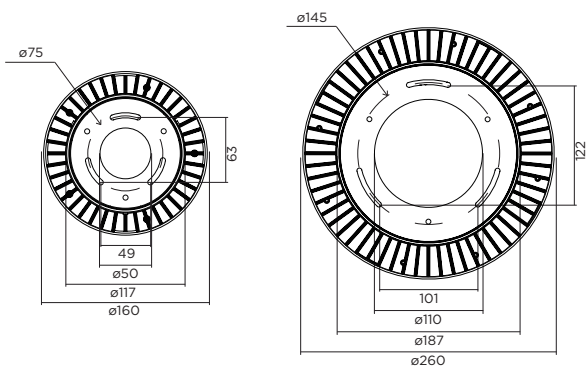
LED 32W | 220-240VAC | 50-60Hz | PCB 3-step | phase cut dim

CE IP44 0,3m P

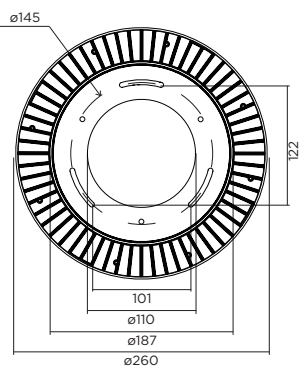
white texture 701384W_
silver / grey 701384S4

LIGHT COLOUR

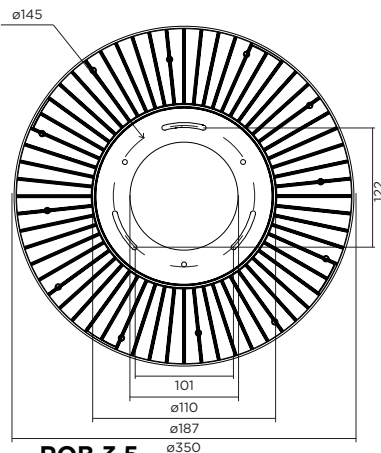
2700K | >80CRI | 2400lm (only available for the white version) 2
3000K | >80CRI | 2700lm 4



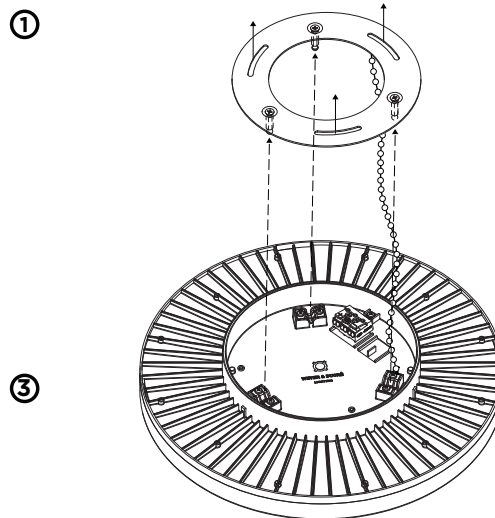
ROB 1.6



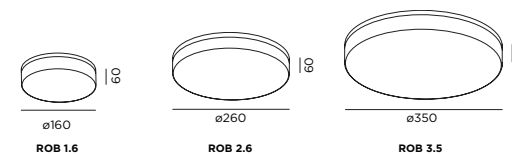
ROB 2.6



ROB 3.5



DIMENSIONS

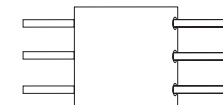


MOUNTING INSTRUCTION

- 1 Remove the base plate from the ROB and mount it on the ceiling with screws. Also disconnect the fall protection. ROBY 2.6 and ROBY 3.5 have the same base plate.


POWER CONNECTION

- 2 Interior connection: STANDARD version



- 3 Connect the fall protection back to the base plate. Then attach the ROB to the base plate by clicking the 3 foreseen pins into the holes

The light source of this luminaire is not replaceable;
When the light source reaches its end of life the whole luminaire shall be replaced.

 Caution,
risk of electric shock



WEVER & DUCRÉ
LIGHTING

www.weverducre.com

Wever & Ducre bvba Kwadestraat 153 bus 2.1 8800 Roeselare

INSTALLATION
INSTRUCTIONS