

# REVER WALL

## 1.0

01-Aug.-2017

### REVER WALL 1.0

LED C35 or P25 max. 6W | E14 | 220-240VAC | 50-60Hz | Dimmable  
| Plating steel (C/G/N/P/W/B) | Polycarbonate (TG/SG/CW/AY/HR)

CE   IP20 

#### DIFFUSER COLOUR

tea green  
smoke grey  
champ. white  
amber yellow  
hip rose

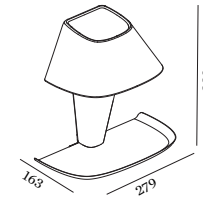
6511CTG\_  
6511CSG\_  
6511CCW\_  
6511CAY\_  
6511CHR\_

#### TRAY COLOUR

CHROME  
BLACK CHROME  
LIGHT GOLD  
PINK COPPER  
WHITE  
BLACK

C  
N  
G  
P  
W  
B

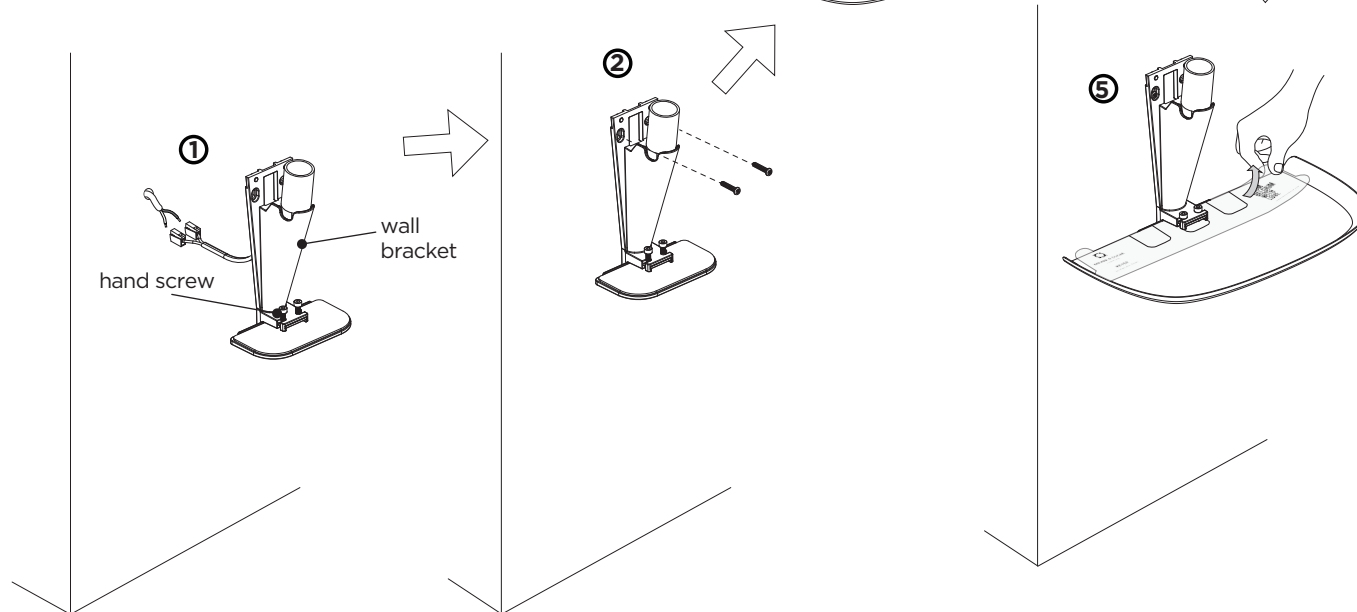
### DIMENSIONS



REVER WALL 1.0

### MOUNTING INSTRUCTION

- 1 Connect the wires on a wall.
- 2 Mount the bracket on the wall with two screws.
- 3 Insert the tray to the wall bracket, and select the right position.
- 4 Tighten the two screws by hand.
- 5 Remove the transparent location indicating sticker.



see the follow steps on page 2



WEVER & DUCRÉ  
LIGHTING

[www.weverducre.com](http://www.weverducre.com)

Wever & Ducre bvba Kwadestraat 153 bus 2.1 8800 Roeselare

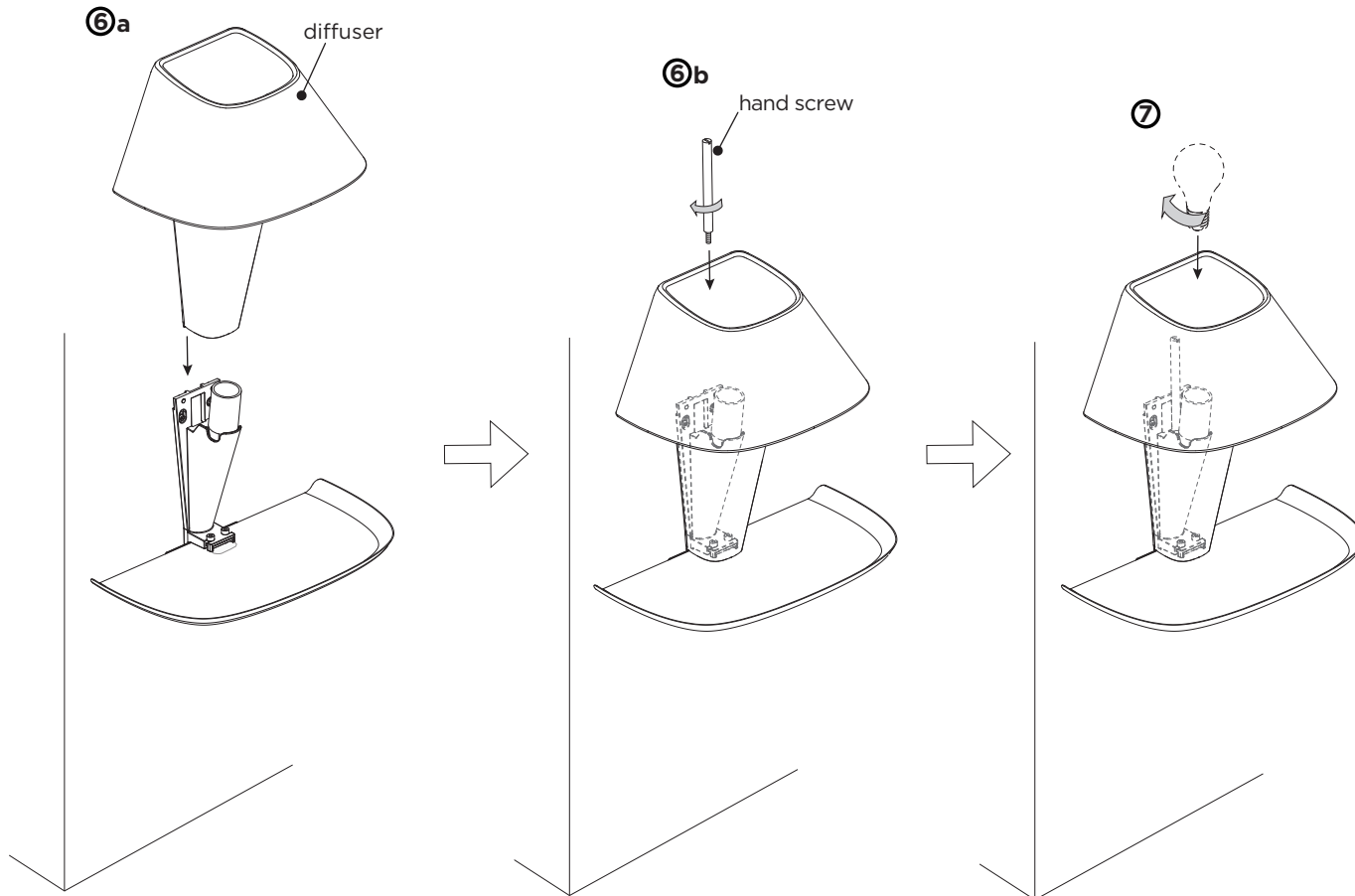
INSTALLATION  
INSTRUCTIONS

PAGE 1/2

# REVER WALL

## 1.0

01-Aug.-2017



- ⑥ Mount the diffuser.
  - a Use a diffuser to cover the bracket.
  - b Then fix the diffuser onto the bracket with the hand screw.
- ⑦ Fix a bulb into the diffuser, bulb is not included.  
Applies only to **LEADING EDGE LED DIMMABLE BULB**.

