

# REVER TABLE

## 1.0

01-Aug.-2017

### REVER TABLE 1.0

LED QA60 max. 12W | E27 | 220-240VAC | 50-60Hz | Dimmable  
| Plating steel (C/G/N/P/W/B) | Polycarbonate (TG/SG/CW/AY/HR)

CE   IP20 

#### DIFFUSER COLOUR

tea green  
smoke grey  
champ. white  
amber yellow  
hip rose

6501ETG\_  
6501ESG\_  
6501ECW\_  
6501EAY\_  
6501EHR\_

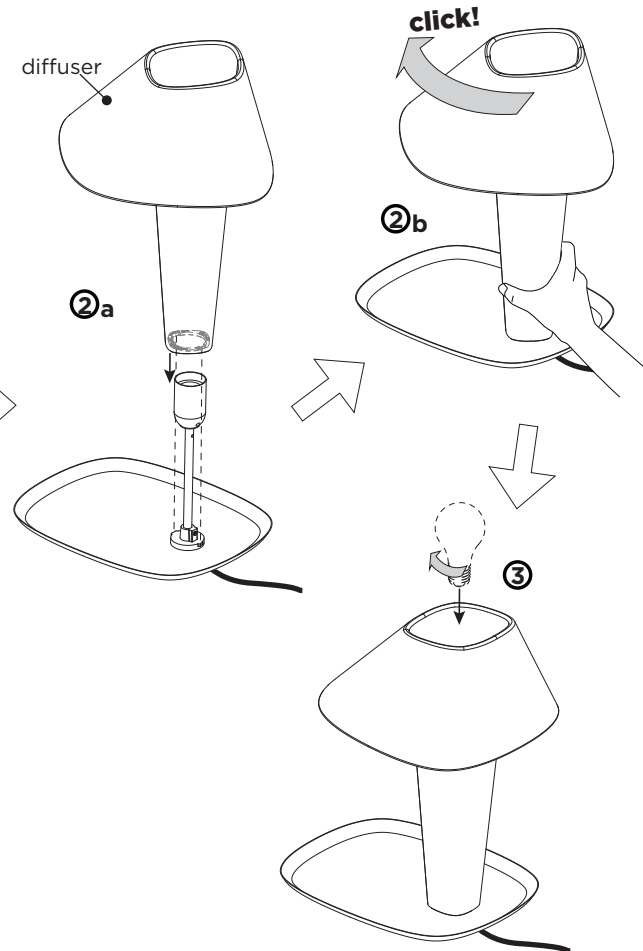
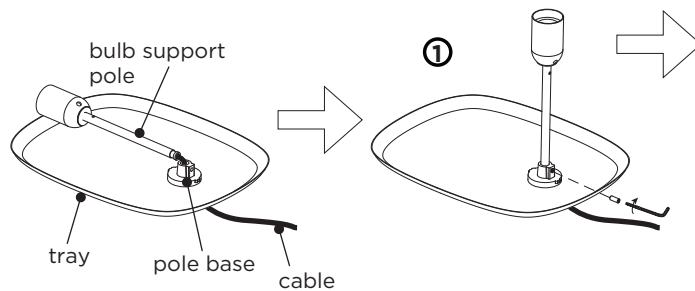
#### TRAY COLOUR

CHROME  
BLACK CHROME  
LIGHT GOLD  
PINK COPPER  
WHITE  
BLACK

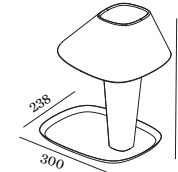
C  
N  
G  
P  
W  
B

#### CABLE COLOUR

white tray with white cable  
all other colors of trays with black cable



### DIMENSIONS



REVER TABLE 1.0

### MOUNTING INSTRUCTION

- 1 Fix the bulb support pole on the pole base with the allen screw.
- 2 Mount the diffuser.
  - a Use a diffuser to cover the bulb support.*Notice: Keep the grooves of the diffuser aligned with the projecting positions of the pole base.*
  - b Then hold the diffuser and clockwise rotating to click.
- 3 Fix a bulb into the diffuser, bulb is not included.  
Applies only to **LEADING EDGE LED DIMMABLE BULB.**

### 4 POWER CONNECTION

connection: STANDARD version



WEVER & DUCRÉ  
LIGHTING

[www.weverducre.com](http://www.weverducre.com)

Wever & Ducre bvba Kwadestraat 153 bus 2.1 8800 Roeselare

INSTALLATION  
INSTRUCTIONS