

REVER FLOOR 2.0 M/L

01-Aug.-2017

REVER FLOOR 2.0 M

LED QA60 max. 12W | E27 | 220-240VAC | 50-60Hz | Dimmable
| Plating steel (C/G/N/P/W/B) | Polycarbonate (TG/SG/CW/AY/HR)



DIFFUSER COLOUR

tea green	6541ETG_
smoke grey	6541ESG_
champ. white	6541ECW_
amber yellow	6541EAY_
hip rose	6541EHR_

REVER FLOOR 2.0 L

LED QA60 max. 12W | E27 | 220-240VAC | 50-60Hz | Dimmable
| Plating steel (C/G/N/P/W/B) | Polycarbonate (TG/SG/CW/AY/HR)



DIFFUSER COLOUR

tea green	6542ETG_
smoke grey	6542ESG_
champ. white	6542ECW_
amber yellow	6542EAY_
hip rose	6542EHR_

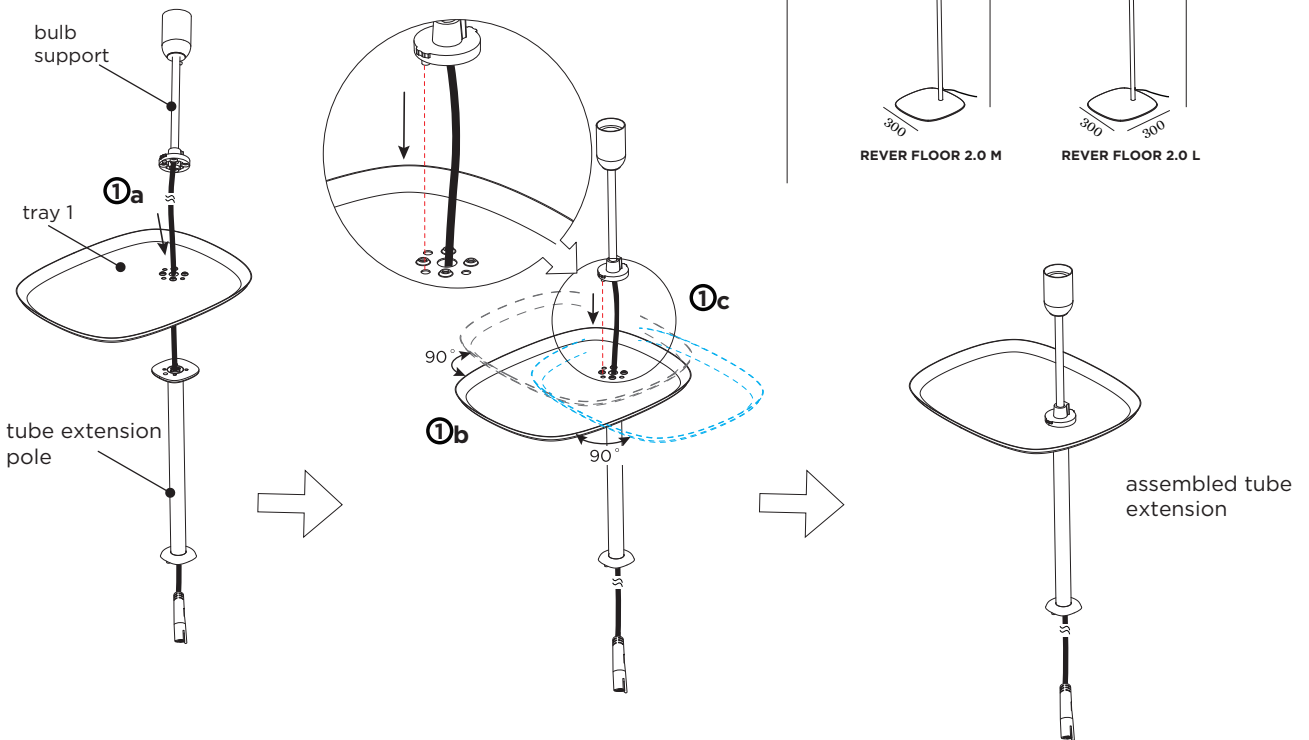
MOUNTING DETAIL

CHROME	C
BLACK CHROME	N
LIGHT GOLD	G
PINK COPPER	P
WHITE	W
BLACK	B

MOUNTING INSTRUCTION

* It takes two people to do the installation.

- ① Assemble the tube extension + tray1, according the step ①a - ①c.
 - ①a Let the cable of the bulb support through the tray1 and the tube extension pole.
 - ①b Select the direction of the tray. (There are three directions to choose.)
 - ①c Put the bulb support upright on the tray in the right place.



see the follow steps on page 2



WEVER & DUCRÉ
LIGHTING

www.weverducre.com

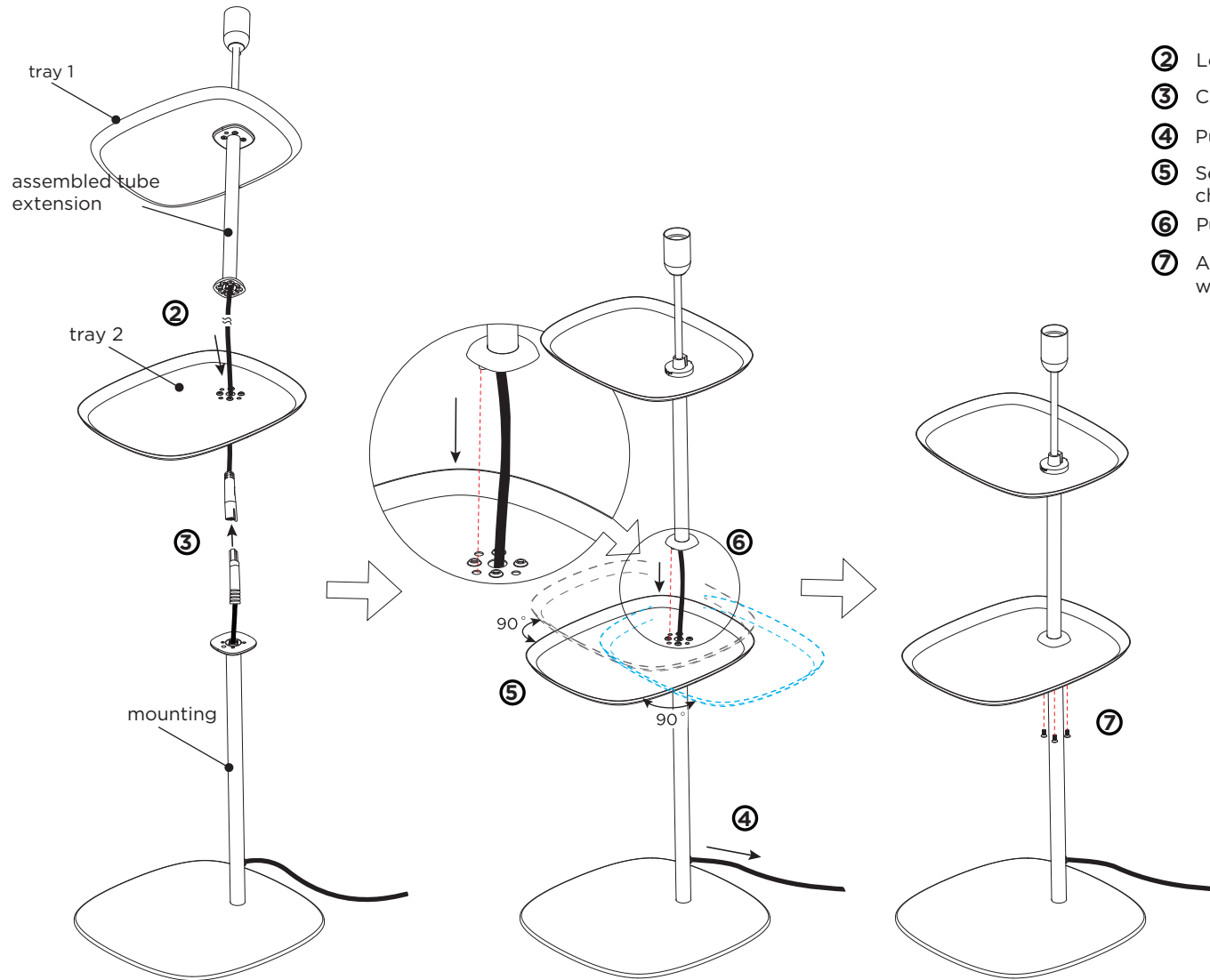
Wever & Ducre bvba Kwadestraat 153 bus 2.1 8800 Roeselare

INSTALLATION
INSTRUCTIONS

PAGE 1/3

REVER FLOOR 2.0 M/L

01-Aug.-2017



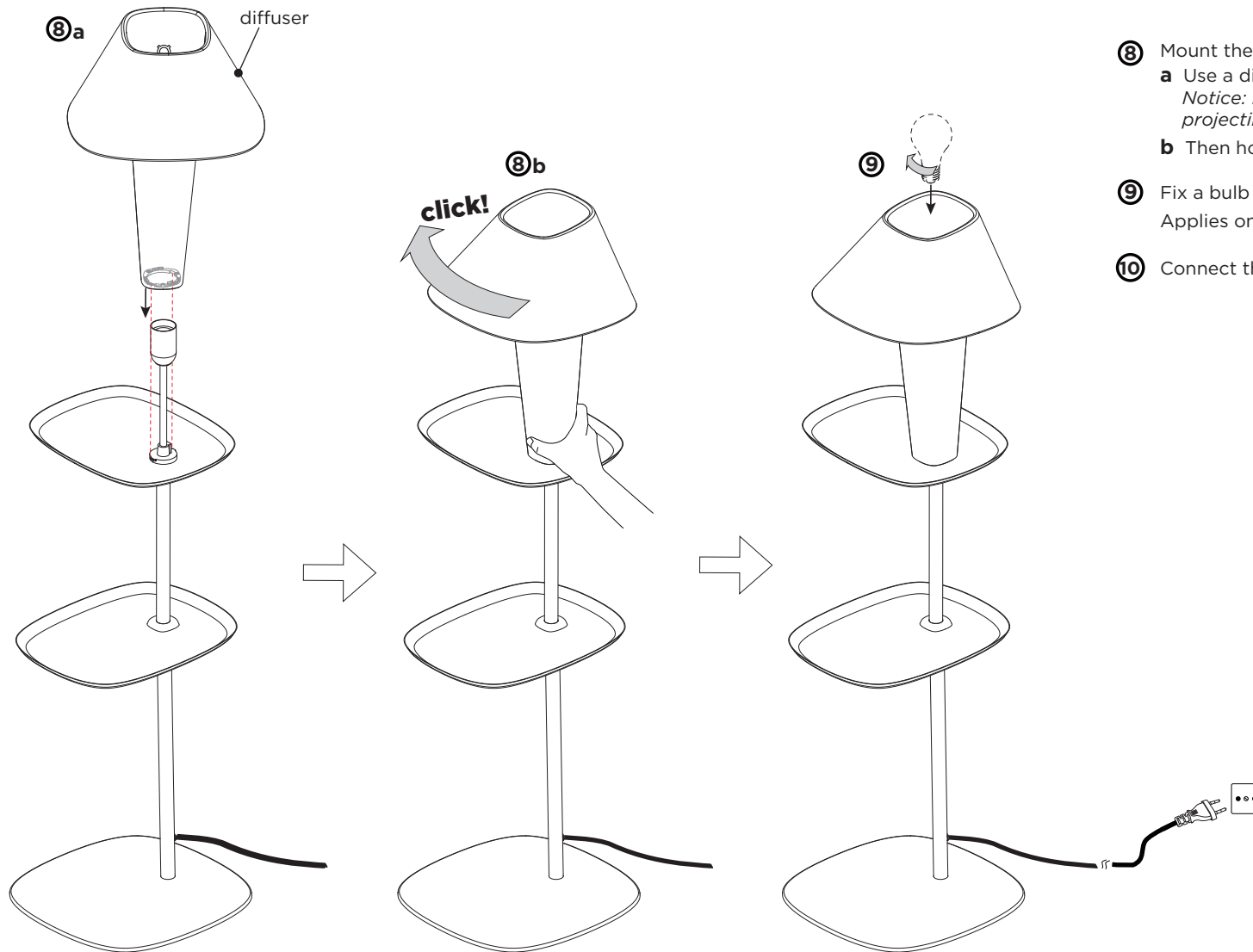
- ② Let the cable of the assembled tube extension through the tray2.
- ③ Connect the cable plugs.
- ④ Pull the cable down to the right length.
- ⑤ Select the direction of the tray. (There are three directions to choose.)
- ⑥ Put the tube extension upright on the tray in the right place.
- ⑦ Assemble the tube extension, the tray & the mounting together with 4 screws.

see the follow steps on page 3

REVER FLOOR 2.0

M/L

01-Aug.-2017



- ⑧ Mount the diffuser.
 - a Use a diffuser to cover the tube extension.
Notice: Keep the grooves of the diffuser aligned with the projecting positions of the pole base.
 - b Then hold the diffuser and clockwise rotating to click.
- ⑨ Fix a bulb into the diffuser, bulb is not included.
Applies only to **LEADING EDGE LED DIMMABLE BULB**.
- ⑩ Connect the power with plug.



WEVER & DUCRÉ
LIGHTING

www.weverducre.com

Wever & Ducré bvba Kwadestraat 153 bus 2.1 8800 Roeselare

**INSTALLATION
INSTRUCTIONS**

PAGE 3/3