

PLUXO ON TRACK

21-03-2016

1.0 PAR16

PAR16 max. 50W | GU10 | 220-240VAC | 50-60Hz

IP20 | 960° | 0,9m | 45°/45° | 10°

white texture	142620W0
black texture	142620B0

for PAR16 lamps see our catalogue
1-phase track accessories on second page

1.0 LED111

LED 13W | 220-240VAC | 50-60Hz | AC-COB 3-step | phase-cut dim

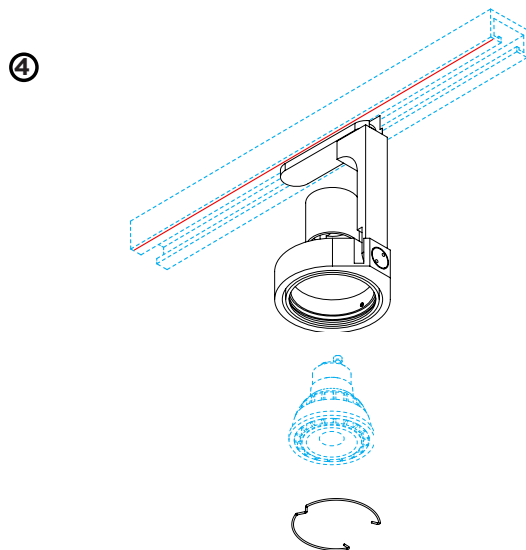
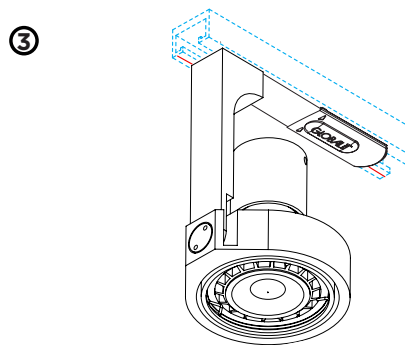
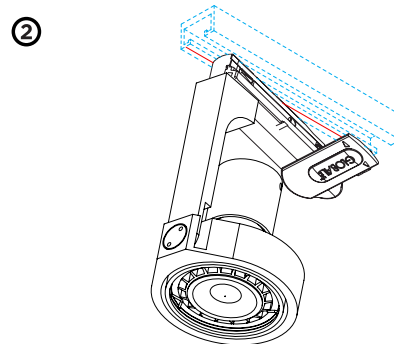
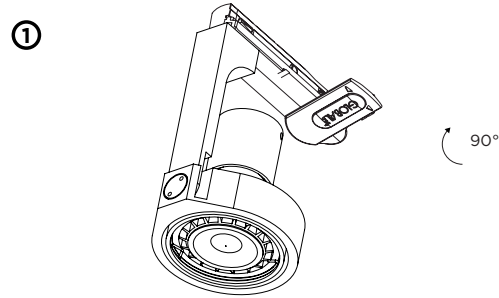
IP20 | 960° | 0,9m | 38° | 45°/45° | 45°/45°

white texture	143668W_
black texture	143668B_

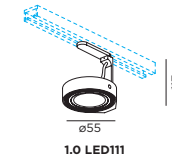
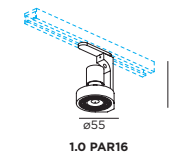
LIGHT COLOUR

2700K >80CRI 640lm	2
3000K >80CRI 680lm	4

1-phase track accessories on second page



DIMENSIONS



MOUNTING INSTRUCTION

- ① Turn the handle, which is mounted on the fixture, 90°.
- ② Push the fixture into the track. Make sure the ⊕ icon on the inside of the adaptor is faced towards the track side with the small line craved in it. (marked red in the drawing)
- ③ Turn the handle back into the original position.
- ④ For PAR16: mount the lamp into the fixture



WEVER & DUCRÉ
LIGHTING

www.weverducre.com

INSTALLATION
INSTRUCTIONS

PAGE 1/2

PLUXO ON TRACK

ACCESSORIES

TRACK PROFILE 1m | 1-phase

white
black

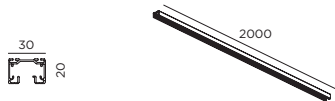
90014001
90014007



TRACK PROFILE 2m | 1-phase

white
black

90014002
90014008



TRACK PROFILE 3m | 1-phase

white
black

90014003
90014009



END FEED left

white
black

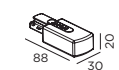
90014018
90014019



END FEED right

white
black

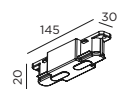
90014020
90014021



MIDDLE FEED

white
black

90014036
90014037



CONNECTOR straight

white
black

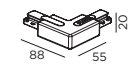
90014022
90014023



L-CONNECTOR left

white
black

90014024
90014025



L-CONNECTOR right

white
black

90014026
90014027



END CAP

white
black

90014028
90014029



WEVER & DUCRÉ
LIGHTING

www.weverducre.com

INSTALLATION
INSTRUCTIONS

PAGE 2/2