

OBOQ ROUND

06-07-2015

1.0 LED111

LED 13W | 220-240V | 50-60Hz | AC-COB 3-step | phase-cut dim

CE IP20 960°C 0,3m E 38° 25°/25° 365° DO NOT COVER

white texture + gold
white texture + black
black texture + gold

120168J_
120168E_
120168K_

LIGHT COLOUR

2700K | >80CRI | 640lm
3000K | >80CRI | 680lm

2
4

1.0 QR111

QR111 max. 75W | G53 | 12V | excl. transformer

CE IP20 960°C 0,9m E 25°/25° 365° DO NOT COVER

white texture + gold
white texture + black
black texture + gold

120130J0
120130E0
120130K0

ALWAYS USE

for transformers see our catalogue

1.0 HIR111

HIR-CE111 35/70W | GX8.5 | 220-240VAC | 50-60Hz | excl. ballast

CE IP20 960°C 0,7m E 25°/25° 365° DO NOT COVER

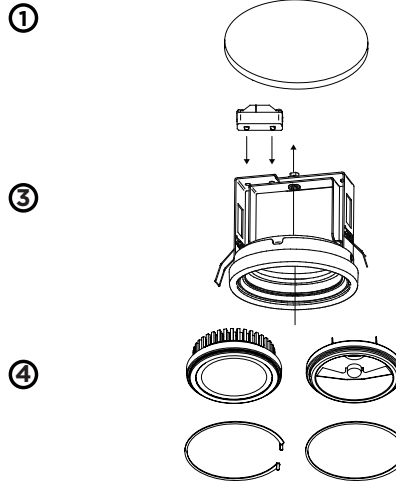
white texture + gold
white texture + black
black texture + gold

1201HOJ0
1201HOE0
1201HOK0

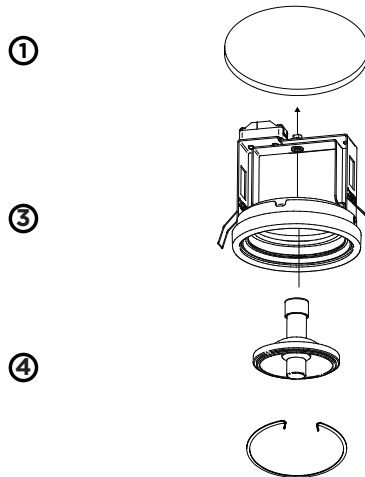
ALWAYS USE

for electronic ballasts see our catalogue

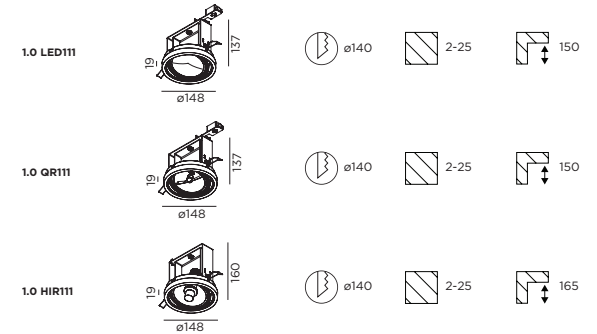
1.0 LED111 | 1.0 QR111



1.0 HIR111



DIMENSIONS



MOUNTING INSTRUCTION

- 1 Make a hole in the ceiling according to the prescribed dimensions.

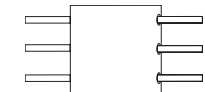
POWER CONNECTION

- 2 for LED111 | QR111



Click the connector set on the housing.
Put the cable through the middle hole (see indicated arrow), so that rotation is still possible, and connect to the connector.

for HIR111



Connector set is already on the housing

- 3 Turn the springs upwards and insert the fixture in the hole
- 4 Place the LED/LAMP and fix with spring



WEVER & DUCRÉ
LIGHTING

www.weverducre.com

INSTALLATION
INSTRUCTIONS