

# MILES

11-07-2016

## 2.0 CARRÉ

LED 8W | 220-240VAC | 50-60Hz | COB 3-step | incl. PS | phase-cut dim

CE IP20 0.3m

3000K | >80CRI | 420lm

White texture		317474W4
Gold	not suitable for outdoor use	317474G4
Bronze	not suitable for outdoor use	317474Q4
Copper	not suitable for outdoor use	317474P4
Black texture		317474B4

## 2.0 ROUND

LED 8W | 220-240VAC | 50-60Hz | COB 3-step | incl. PS | phase-cut dim

CE IP20 0.3m

3000K | >80CRI | 420lm

White texture		317574W4
Gold	not suitable for outdoor use	317574G4
Bronze	not suitable for outdoor use	317574Q4
Copper	not suitable for outdoor use	317574P4
Black texture		317574B4

## 3.0 CARRÉ

LED 8W | 220-240VAC | 50-60Hz | COB 3-step | incl. PS | phase-cut dim

CE IP20 0.3m

3000K | >80CRI | 420lm

White texture		317674W4
Gold	not suitable for outdoor use	317674G4
Bronze	not suitable for outdoor use	317674Q4
Copper	not suitable for outdoor use	317674P4
Black texture		317674B4

## 3.0 ROUND

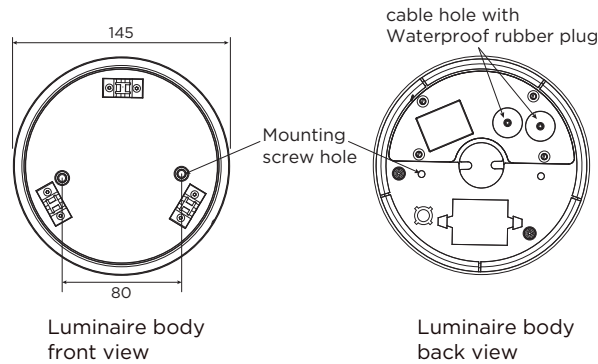
LED 8W | 220-240VAC | 50-60Hz | COB 3-step | incl. PS | phase-cut dim

CE IP20 0.3m

3000K | >80CRI | 420lm

White texture		317774W4
Gold	not suitable for outdoor use	317774G4
Bronze	not suitable for outdoor use	317774Q4
Copper	not suitable for outdoor use	317774P4
Black texture		317774B4

Covers could be purchased separately.



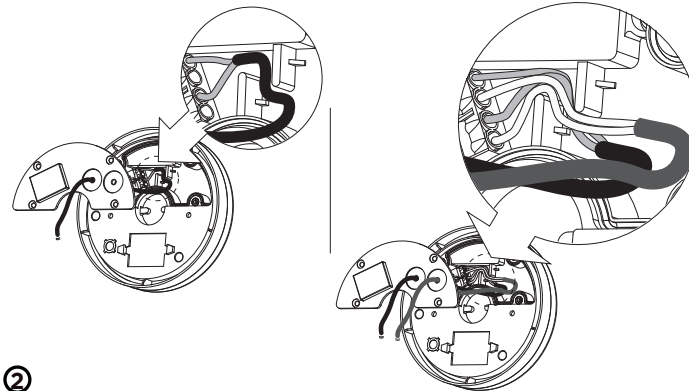
Luminaire body front view

Luminaire body back view

①

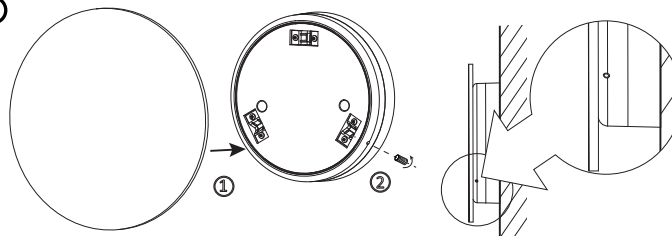
For single luminaire

For series two luminaires

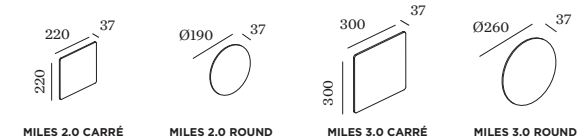


②

③



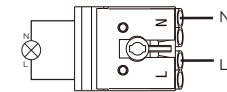
## DIMENSIONS



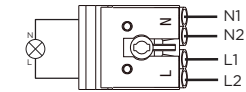
## MOUNTING INSTRUCTION

### ① POWER CONNECTION

For single luminaire



For series two luminaires



② Fix the Luminaire body on the wall with screws.

③ Mount the Light cover on the Luminaire body by pressing. Lock the cover with the hex-socket screw on the side.

The shape and size of cover is selectable.



WEVER & DUCRÉ  
LIGHTING

www.weverducre.com

INSTALLATION  
INSTRUCTIONS