

# METRO

09-Nov.-2016

LED 6W | 220-240VAC | 50-60Hz | COB 3-step | incl. PS | phase-cut dim

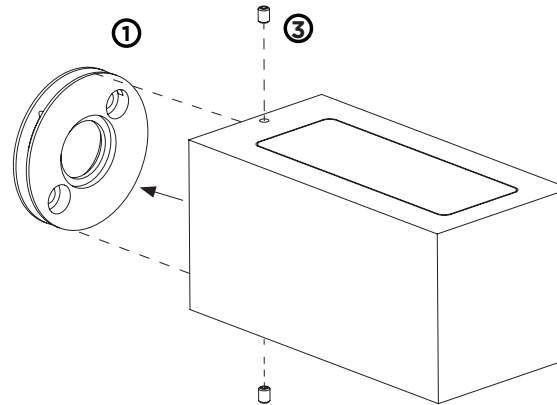
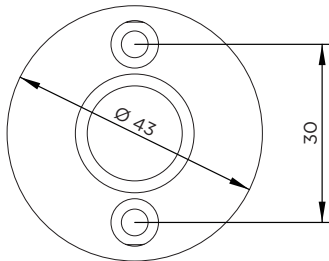
CE IP20 0.3m

3000K | >80CRI | 390lm

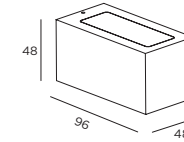
white texture  
aluminium brushed

315174W4  
315174L4

Mounting Base:



## DIMENSIONS



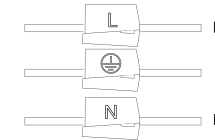
## MOUNTING INSTRUCTION

- 1 Fix the Mounting Base on the wall with screws.

## POWER CONNECTION

- 2 Connect the power supply.

Interior: STANDARD version



- 3 Attach the luminaire to the Mounting Base with the side screws.



WEVER & DUCRÉ  
LIGHTING

[www.weverducre.com](http://www.weverducre.com)

Wever & Ducre bvba Kwadestraat 153 bus 2.1 8800 Roeselare

INSTALLATION  
INSTRUCTIONS