

LEENS

02-11-2015

1.0

LED 8W | 220-240VAC | 50-60Hz | COB 2-step | incl. PS | phase-cut dim

CE IP20 960°C 0.3m

3000K | >80CRI | 480lm

white texture
aluminium brushed
black texture

311174W4
311174L4
311174B4

2.0

LED 2x4W | 220-240VAC | 50-60Hz | COB 2-step | incl. PS | phase-cut dim

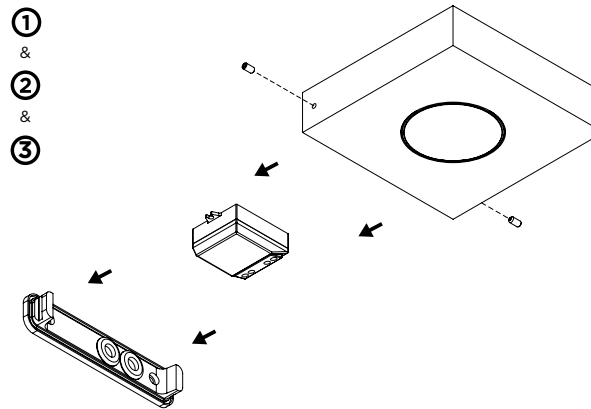
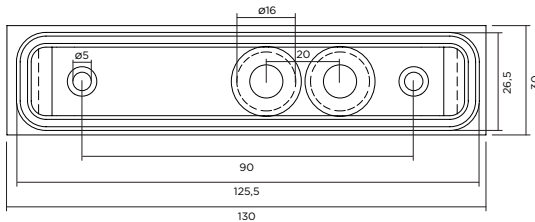
CE IP20 960°C 0.3m

3000K | >80CRI | 2x240lm

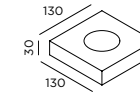
white texture
aluminium brushed
black texture

311274W4
311274L4
311274B4

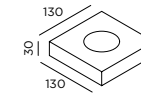
back plate dimensions



DIMENSIONS



LEENS 1.0



LEENS 2.0

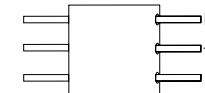
MOUNTING INSTRUCTION

- 1 Attach the wall base on the ceiling with screws

POWER CONNECTION

- 2 Make connection with the power supply

Interior: STANDARD version



- 3 Attach the LEENS on the wall base with the side screws



WEVER & DUCRÉ
LIGHTING

www.weverducre.com

INSTALLATION
INSTRUCTIONS