

GO-ON

08-06-2015

2.0 LED111

LED 2x13W | 220-240V | 50-60Hz | AC-COB 3-step | phase-cut dim

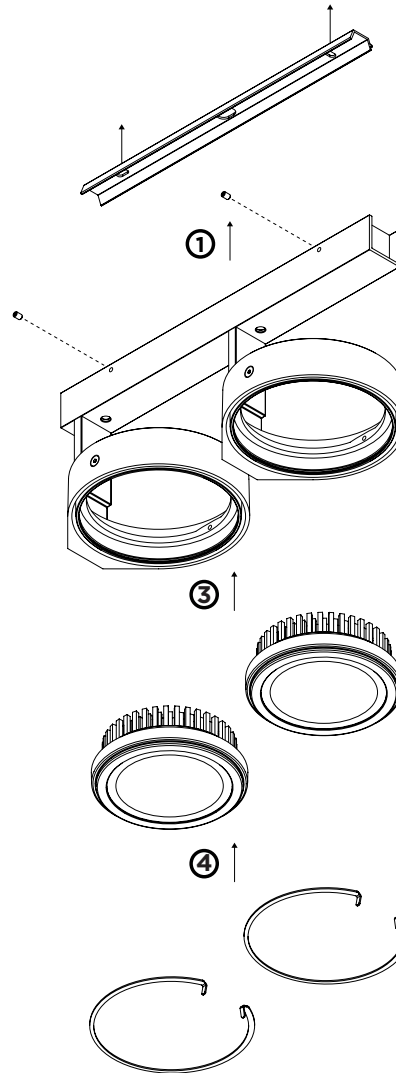
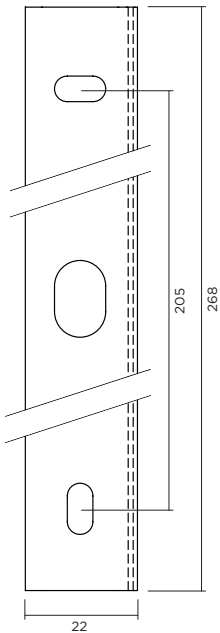
CE IP20 960° 0,3m 38° 45°/45° 45°/45°

white texture 116268W_
silver / grey 116268S_

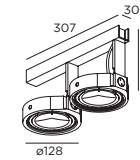
LIGHT COLOUR

2700K | >80CRI | 2x640lm 2
3000K | >80CRI | 2x680lm 4

base plate dimensions



DIMENSIONS

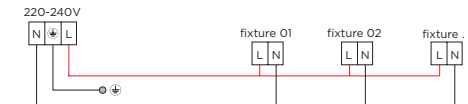


MOUNTING INSTRUCTION

- 1 Attach the base plate to the ceiling with screws

POWER CONNECTION

- 2 PARALLEL CONNECTION
driver is included



- 3 Attach the fixture to the base plate with the side screws
- 4 Insert the lamps and fix with spring



WEVER & DUCRÉ
LIGHTING

www.weverducre.com

INSTALLATION
INSTRUCTIONS