

DOCUS

17-Jun.-2016

2.0 | 3.0 LED

LED 8W | 220-240VAC | 50-60Hz | COB 2-step | incl. PS | phase-cut dim

CE IP20 0,9m 36°

2.0

200mm

white texture	207564W_
aluminium brushed	207564L_
gold	207564G_
copper	207564P_
black texture	207564B_

3.0

300mm

white texture	207664W_
aluminium brushed	207664L_
gold	207664G_
copper	207664P_
black texture	207664B_

LIGHT COLOUR

2700K >80CRI 480lm	2
3000K >80CRI 480lm	4
1800-2850K >90CRI 410lm	9

2.0 | 3.0 PAR16

max. 35W | GU10 | 220-240VAC | 50-60Hz

CE IP20 0,9m

2.0

200mm

white texture	207520W0
aluminium brushed	207520L0
gold	207520G0
copper	207520P0
black texture	207520B0

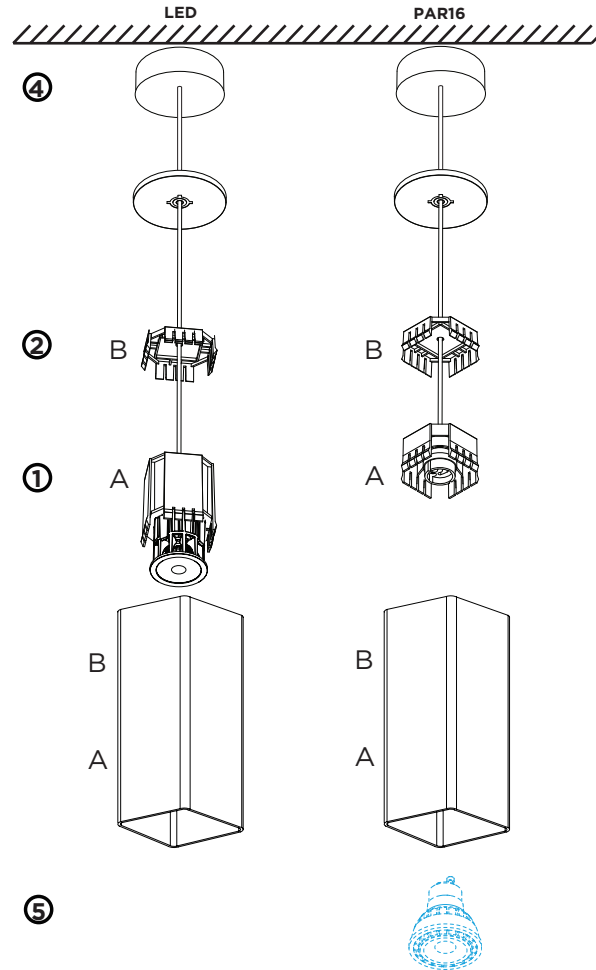
3.0

300mm

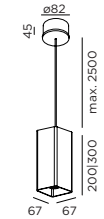
white texture	207620W0
aluminium brushed	207620L0
gold	207620G0
copper	207620P0
black texture	207620B0

OPTIONAL

for PAR16 lamps see our catalogue



DIMENSIONS

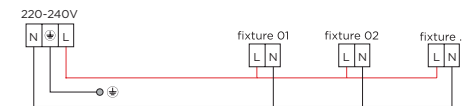


MOUNTING INSTRUCTION

- ① Insert part A until it clicks in the lower part of the cover
- ② Insert part B until it clicks in the higher part of the cover
- ③ **POWER CONNECTION**

Connect wiring to the power supply (for LED)
or to terminal block (for PAR16)

PARALLEL CONNECTION



- ④ Mount the ceiling base on the ceiling
- ⑤ **ONLY FOR PAR16**
Insert the lamp



WEVER & DUCRÉ
LIGHTING

www.weverducre.com

Wever & Ducre bvba Kwadestraat 153 bus 2.1 8800 Roeselare

INSTALLATION
INSTRUCTIONS