

COCOZ SQUARE

06-07-2015

1.0 LED111

LED 13W | 220-240V | 50-60Hz | AC-COB 3-step | phase-cut dim

CE IP20 960°C 0,3m E 38° 25°/25° 365°

white texture + gold
black texture + chrome

119268J_
119268U_

LIGHT COLOUR

2700K | >80CRI | 640lm
3000K | >80CRI | 680lm

2
4

1.0 QR111

QR111 max. 75W | G53 | 12V | excl. transformer

CE IP20 960°C 0,9m E 25°/25° 365° DO NOT COVER

white texture + gold
black texture + chrome

119230J0
119230U0

ALWAYS USE

for transformers see our catalogue

1.0 HIR111

HIR-CE111 35/70W | GX8.5 | 220-240VAC | 50-60Hz | excl. ballast

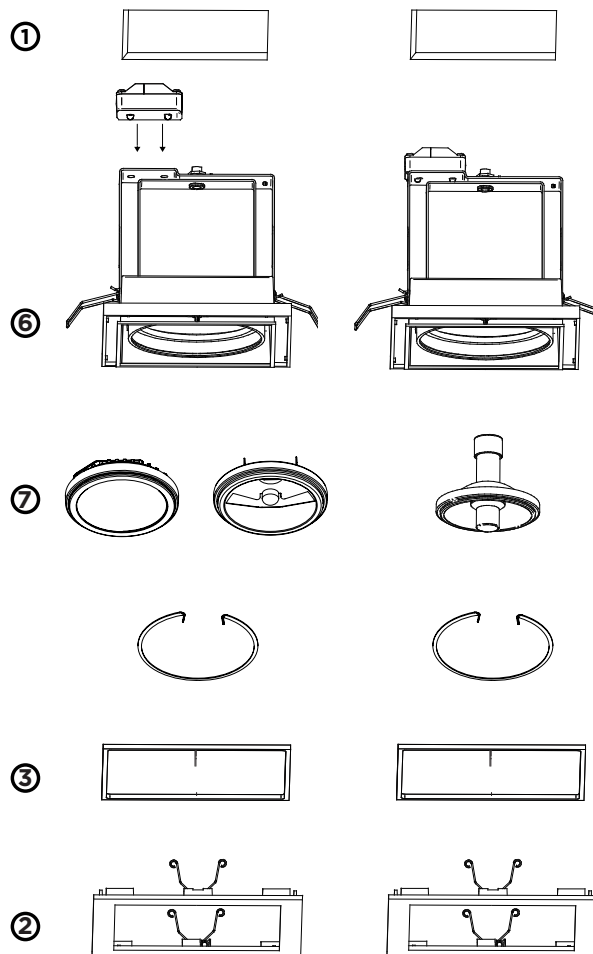
CE IP20 960°C 0,7m E 25°/25° 365° DO NOT COVER

white texture + gold
black texture + chrome

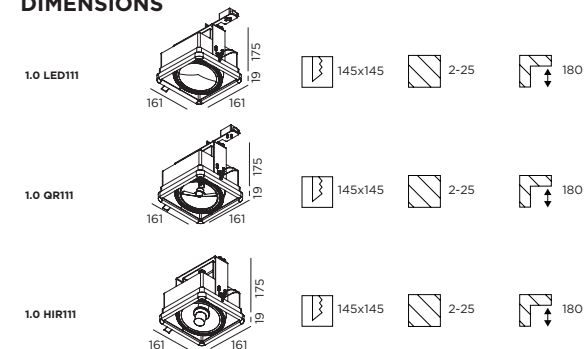
1192H0J0
1192H0U0

ALWAYS USE

for electronic ballasts see our catalogue



DIMENSIONS



MOUNTING INSTRUCTION

- ① Make a hole in the ceiling according to the prescribed dimensions.
- ② Remove the top plate
- ③ Insert the colour frame
- ④ Reposition the top plate and colour frame with the springs

POWER CONNECTION

⑤ for LED111 | QR111



Click the connector set on the housing.

Put the cable through the middle hole (see indicated arrow), so that rotation is still possible, and connect to the connector.

for HIR111



Connector set is already on the housing

- ⑥ Insert the fixture in the hole
- ⑦ Place the LED/LAMP into the fixture and fix with spring



WEVER & DUCRÉ
LIGHTING

www.weverducre.com

INSTALLATION
INSTRUCTIONS