

# COCOZ ROUND

06-07-2015

## 1.0 LED111

LED 13W | 220-240V | 50-60Hz | AC-COB 3-step | phase-cut dim

CE IP20 960°C 0,3m E 38° 25°/25° 365°

white texture + gold  
black texture + chrome

119168J  
119168U

### LIGHT COLOUR

2700K | >80CRI | 640lm  
3000K | >80CRI | 680lm

2  
4

## 1.0 QR111

QR111 max. 75W | G53 | 12V | excl. transformer

CE IP20 960°C 0,9m E 25°/25° 365° DO NOT COVER

white texture + gold  
black texture + chrome

119130J0  
119130U0

### ALWAYS USE

for transformers see our catalogue

## 1.0 HIR111

HIR-CE111 35/70W | GX8.5 | 220-240VAC | 50-60Hz | excl. ballast

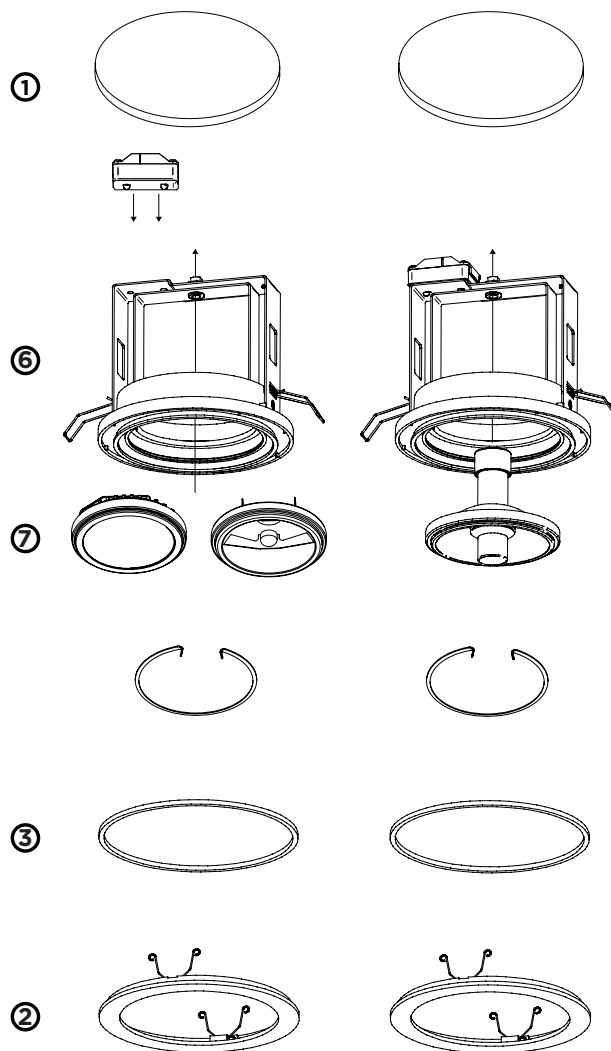
CE IP20 960°C 0,7m E 25°/25° 365° DO NOT COVER

white texture + gold  
black texture + chrome

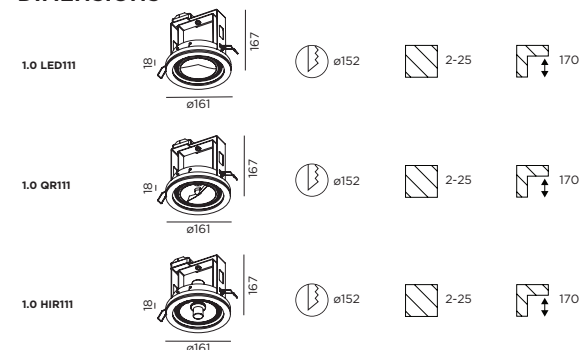
1191H0J0  
1191H0U0

### ALWAYS USE

for electronic ballasts see our catalogue



## DIMENSIONS



## MOUNTING INSTRUCTION

- ① Make a hole in the ceiling according to the prescribed dimensions.
- ② Remove the top plate
- ③ Insert the colour frame
- ④ Reposition the top plate and colour frame with the springs

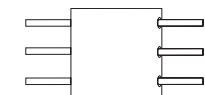
## POWER CONNECTION

- ⑤ for LED111 | QR111



Click the connector set on the housing.  
Put the cable through the middle hole (see indicated arrow), so that rotation is still possible, and connect to the connector.

### for HIR111



Connector set is already on the housing

- ⑥ Insert the fixture in the hole
- ⑦ Place the LED/LAMP into the fixture and fix with spring



WEVER & DUCRÉ  
LIGHTING

www.weverducre.com

INSTALLATION  
INSTRUCTIONS