

CHART

25-Sep.-2017

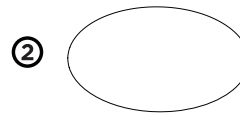
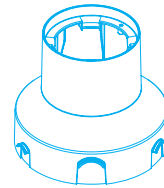
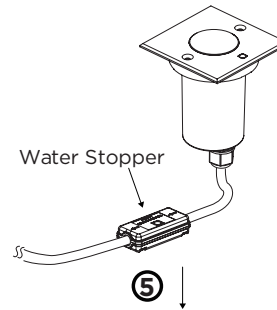
0.6	
LED 5W 220-240VAC 50-60Hz COB 3-step incl. power supply	
CE IP67 0.3m 38°	
3000K >80CRI 150lm	
inox	75216314
OPTIONAL	
recessed housing	90012201

0.9	
LED 8W 220-240VAC 50-60Hz COB 3-step incl. PS phase-cut dim	
CE IP67 0.3m 38°	
3000K >80CRI 480lm	
inox	75226414
OPTIONAL	
recessed housing	90012202

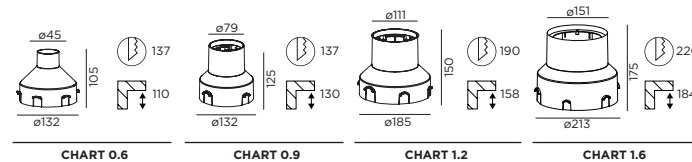
1.2	
LED 12W 220-240VAC 50-60Hz COB 3-step incl. PS phase-cut dim	
CE IP67 0.3m 38°	
3000K >80CRI 750lm	
beam angle 38°	
inox	75236414
OPTIONAL	
recessed housing	90012203

1.6	
LED 15W 220-240VAC 50-60Hz COB 3-step incl. PS phase-cut dim	
CE IP67 0.3m 38°	
3000K >80CRI 950lm	
beam angle 38°	
inox	75246414
OPTIONAL	
recessed housing	90012204

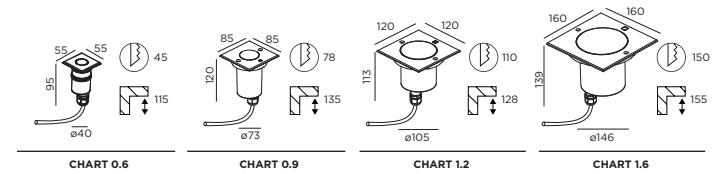
with recessed housing



OPTIONAL, (ORDER SEPARATELY)
recessed housing

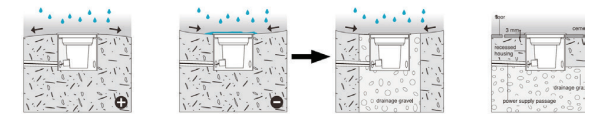


DIMENSIONS



MOUNTING INSTRUCTION

- Remove the protective foam inside of the CHART. Make sure to screw the screws back on, crosswise, to ensure IP67.
- Make a hole in the ground according to the prescribed dimensions (of the recessed housing).
- Drainage: we recommend that all exterior groundspots should be installed with a drainage level even when using a recessed housing.



POWER CONNECTION

- Exterior: WATERPROOF Connection



Remark: Do not open or cut off the Water Stopper on cable.

- MOUNTING WITH RECESSED HOUSING**

Use the bolts and the nuts to attach the CHART to the recessed housing



Caution, risk of electric shock

The light source of the integrated LED is not replaceable; When the light source reaches its end of life the whole luminaire shall be replaced.

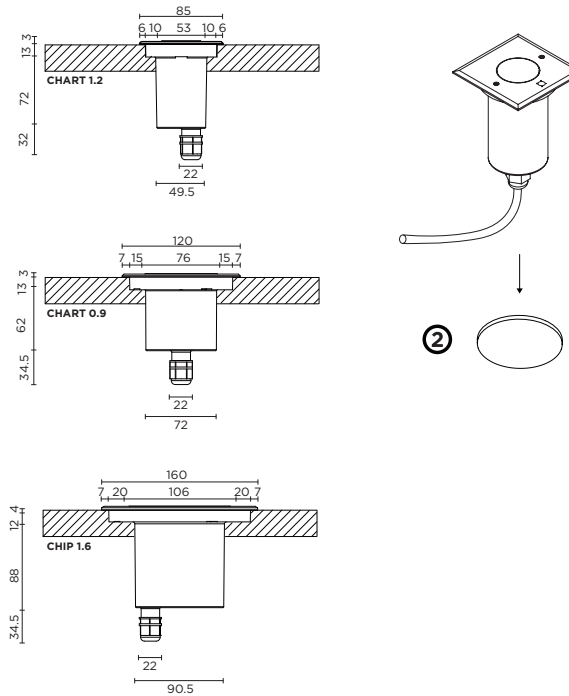
85 The CHART 0.6 has an auto-recovery thermal fuse. In order to avoid product early failure in some extreme condition; if the internal components reach a temperature of 85 C, the product will switch off and then restart when cooling down.

CHART

25-Sep.-2017

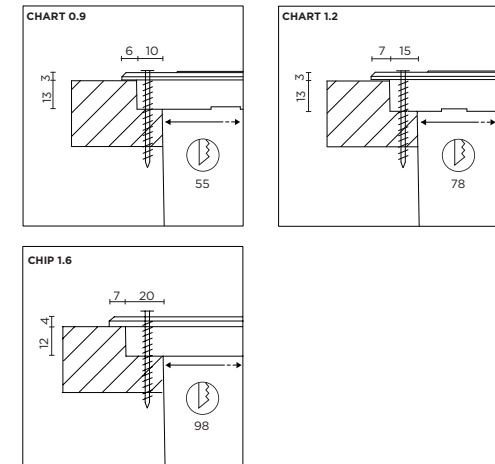
without recessed housing

A. Attached to the floor (or wall, for wall mounting)



A. Attached to the floor (or wall, for wall mounting)

- ⑤ Use the screws to attach the CHART to the floor or wall. Make sure to measure correctly so that you can screw onto a hard material. This type of installation is not possible for CHART 0.6



- ⑤ The CHART 0.6 has an auto-recovery thermal fuse. In order to avoid product early failure in some extreme condition; If the internal components reach a temperature of 85°C, the product will switch off and then restart when cooling down.

85 The light source of the integrated LED is not replaceable; When the light source reaches its end of life the whole luminaire shall be replaced.

Caution, risk of electric shock

0.6

LED 5W | 220-240VAC | 50-60Hz | COB 3-step | incl. power supply

CE IP67 0.3m 38°

3000K | >80CRI | 150lm
inox

75216314

OPTIONAL

recessed housing

90012201

0.9

LED 8W | 220-240VAC | 50-60Hz | COB 3-step | incl. PS | phase-cut dim

CE IP67 0.3m 38°

3000K | >80CRI | 480lm
inox

75226414

OPTIONAL

recessed housing

90012202

1.2

LED 12W | 220-240VAC | 50-60Hz | COB 3-step | incl. PS | phase-cut dim

CE IP67 0.3m 38°

3000K | >80CRI | 750lm
beam angle 38°
inox

75236414

OPTIONAL

recessed housing

90012203

1.6

LED 15W | 220-240VAC | 50-60Hz | COB 3-step | incl. PS | phase-cut dim

CE IP67 0.3m 38°

3000K | >80CRI | 950lm
beam angle 38°
inox

75246414

OPTIONAL

recessed housing

90012204



WEVER & DUCRÉ
LIGHTING

www.weverducre.com

Wever & Ducre bvba Kwadestraat 153 bus 2.1 8800 Roeselare

INSTALLATION
INSTRUCTIONS

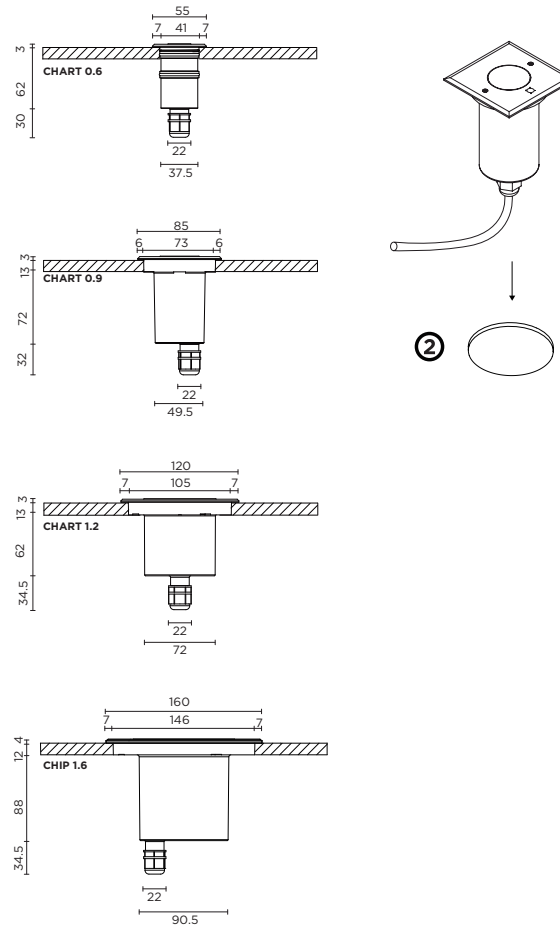
PAGE 2/3

CHART

25-Sep.-2017

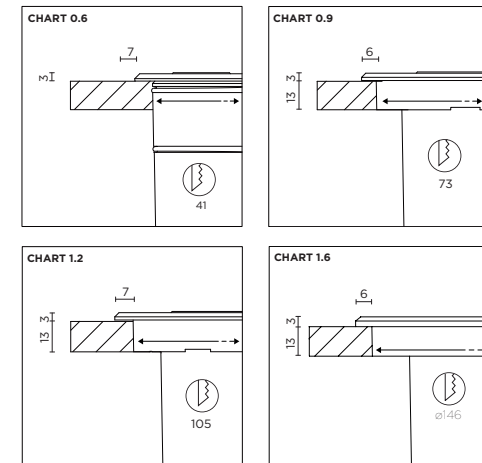
without recessed housing

B. Rests on the stainless steel borders of the fixture



B. Rests on the stainless steel borders of the fixture

- ⑤ Place the CHART into the hole, no tools needed to fix it into the hole. Just let it rest on the stainless steel borders of the fixture



85 The CHART 0.6 has an auto-recovery thermal fuse. In order to avoid product early failure in some extreme condition; If the internal components reach a temperature of 85°C, the product will switch off and then restart when cooling down.



Caution, risk of electric shock

The light source of the integrated LED is not replaceable; When the light source reaches its end of life the whole luminaire shall be replaced.

0.6

LED 5W | 220-240VAC | 50-60Hz | COB 3-step | incl. power supply

CE IP67 0.3m 38°

3000K | >80CRI | 150lm
inox

75216314

OPTIONAL

recessed housing

90012201

0.9

LED 8W | 220-240VAC | 50-60Hz | COB 3-step | incl. PS | phase-cut dim

CE IP67 0.3m 38°

3000K | >80CRI | 480lm
inox

75226414

OPTIONAL

recessed housing

90012202

1.2

LED 12W | 220-240VAC | 50-60Hz | COB 3-step | incl. PS | phase-cut dim

CE IP67 0.3m 38°

3000K | >80CRI | 750lm
beam angle 38°
inox

75236414

OPTIONAL

recessed housing

90012203

1.6

LED 15W | 220-240VAC | 50-60Hz | COB 3-step | incl. PS | phase-cut dim

CE IP67 0.3m 38°

3000K | >80CRI | 950lm
beam angle 38°
inox

75246414

OPTIONAL

recessed housing

90012204



WEVER & DUCRÉ
LIGHTING

www.weverducre.com

Wever & Ducre bvba Kwadestraat 153 bus 2.1 8800 Roeselare

INSTALLATION
INSTRUCTIONS

PAGE 3/3