

BOX

11-Jul.-2017

1.0 LED INTERIOR

LED 6W | 220-240VAC | 50-60Hz | PCB 3-step | incl. PS | phase-cut dim

CE IP20 $\leq 0.3m$

white texture	331168W_
aluminium brushed	331168L_
gold	331168G_
bronze	331168Q_
copper	331168P_
black texture	331168B_

LIGHT COLOUR

2700K >80CRI 400lm	2
3000K >80CRI 440lm	4
1800-2850K >80CRI 400lm	9

1.0 QT14

QT14 max. 75W | G9 | 220-240VAC | 50-60Hz

CE IP20 $\leq 0.9m$

white texture	3211G0W0
aluminium brushed	3211G0L0
gold	3211G0G0
bronze	3211G0Q0
copper	3211G0P0
black texture	3211G0B0

OPTIONAL
for QT14 lamps see our catalogue
flaps for adjustable beam angle

900401W0

1.0 LED EXTERIOR

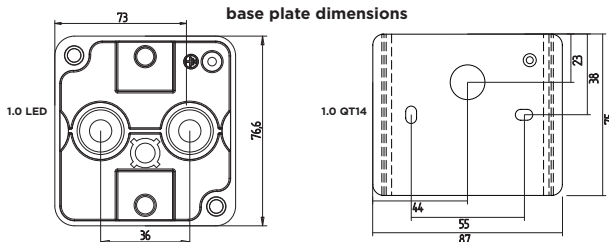
LED 6W | 220-240VAC | 50-60Hz | PCB 3-step | incl. PS | phase-cut dim

CE IP65 $\leq 0.3m$

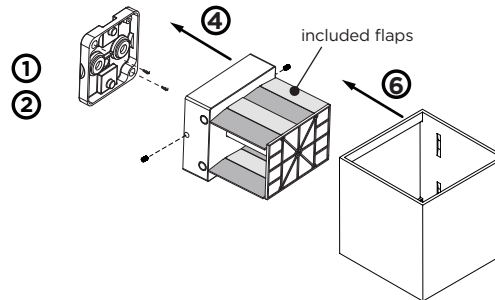
white texture	740168W_
dark grey texture	740168D_
black texture	740168B_

LIGHT COLOUR

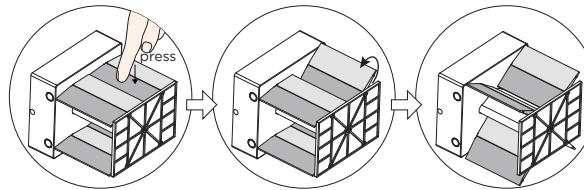
2700K >80CRI 400lm	2
3000K >80CRI 440lm	4



1.0 LED INTERIOR EXTERIOR



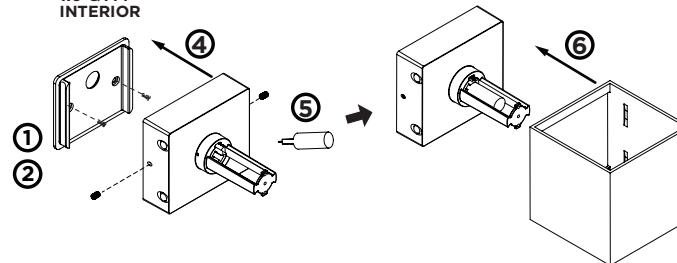
with flaps, the beam angle is adjustable:



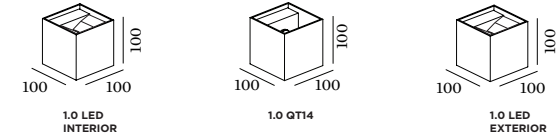
The light source of the integrated LED is not replaceable;
When the light source reaches its end of life the whole luminaire should be replaced.

Caution, risk of electric shock

1.0 QT14 INTERIOR



DIMENSIONS

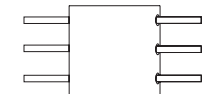


MOUNTING INSTRUCTION

- Remove the lamp base
- Fixate the back plate to the wall with screws
- POWER CONNECTION**

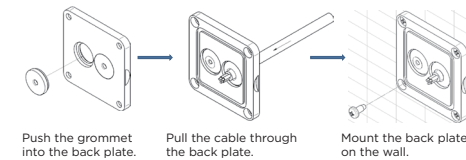
Connect the power supply.

Interior: STANDARD version



Exterior: WATERPROOF Connection

IP-rated connections for wall fixtures: cable isolation for round cables \varnothing 4.5-7.5 mm, should be in the grommet. For cable use \varnothing 7.0-9.5 mm: replace the grommet with the other grommet in the bag.



- Fixate the lamp base to the back plate.
- For QT14:** insert the lamp
- Fixate the lamp cover to the back base.



WEVER & DUCRÉ
LIGHTING

www.weverducre.com

Wever & Ducre bvba Kwadestraat 153 bus 2.1 8800 Roeselare

INSTALLATION
INSTRUCTIONS

PAGE 1/2

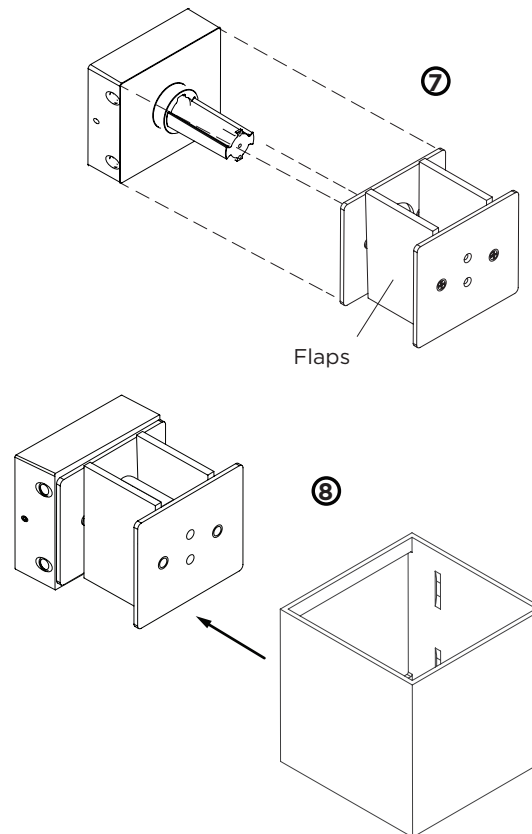
BOX

11-Jul.-2017

OPTIONAL (for QT14):

BOX flaps for adjustable beam angle
900401W0

	A	B	C
CABLE			
TYPE	ROUND H05RN-F H07RN8-F H07RN-F	ROUND H05RN-F	ROUND
OUTSIDE Ø	min 6.8mm max 8.9mm	min 5mm max 6.8mm	min 1.5mm max 2.6mm
CONDUCTION SECTION	2or3x 0.75mm ² 2or3x 1.0mm ² 2or3x 1.5mm ²	2or3x 0.75mm ² 2x 1.0mm ²	0.75mm ² 1.5mm ²



- ⑦ Before fixate the light cover to the back base, mount the BOX flap over the fixture base and fixate it with screws.
- ⑧ Fixate the lamp cover to the back base.

EXPLANATION BOX FLAPS:

By rotating the arms of the BOX flaps separately, you can adjust the light beam angle. Below you can see some examples:

