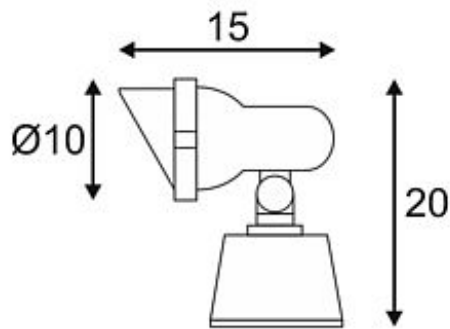


## EASYLITE SPOT GU10

stonegrey, max. 50W, IP44

Article number	230525
Catalogue	BIG WHITE 2015, Page 553
Type of lamp	Conventional lamp
Lamp	GU10 230V max. 50W
Lampholder / Socket	GU10
Number of light sources	1
Lamp included	No
Tilt range	160 Degree
Height	20 cm
Net weight	0.732 kg
Gross weight	2.472 kg
Voltage	230 Volt
Max. wattage	50 Watt
Protection class	I
Material	aluminium
Colour	grey
Way of mounting	surface wall mounting / surface floor mounting / surface ceiling mounting
Remark 1	Base (Ø / H): 10 / 55 cm. Head (Ø / L): 10 / 15 cm
Remark 2	Maximum cable diameter 12 mm
Remark 3	Energy labels in your language are available in the Service Area sub point Download
Suitable for lamps from EEC	E
Suitable for lamps up to EEC	A++
Light distribution type 1	direct



Aluminum luminaire of the EASYLITE SPOT series for floor, wall or ceiling mounting. Mounted to the junction box the lamp head is adjustable for individual illumination. Rated IP44 it is suitable for outdoor use. The electrical connection is made directly to 230V mains supply via the incorporated transformer. The EASYLITE SPOT series further includes versions for discharge, high-voltage halogen and energy-saving lamps. We additionally offer a suitable earth spike for simplified assembly. This luminaire is compatible with bulbs of the energy classes: E - A++