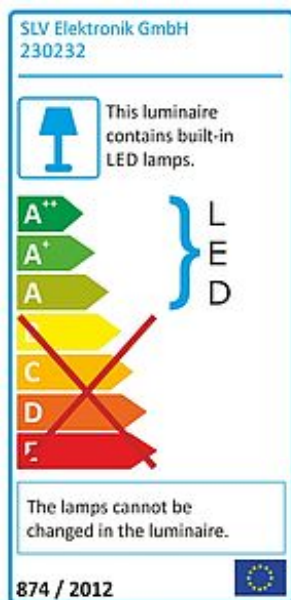
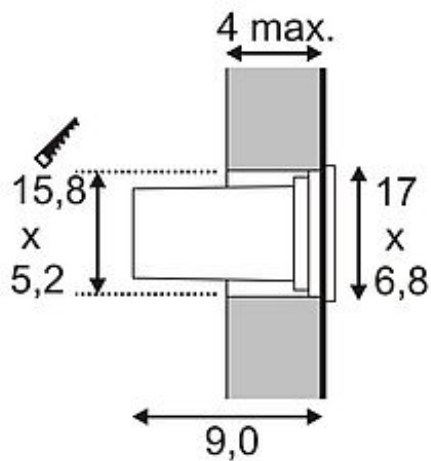


BRICK LED 16 stainless steel 305 wall lamp

brushed, 1W, warmwhite, IP44



Article number	230232
Catalogue	BIG WHITE 2015, Page 653
Type of lamp	LED lamp
Lamp	LED
Number of light sources	16
Lamp included	Yes
Installation length	16 cm
Installation width	5.6 cm
Installation depth	9 cm
Width	17 cm
Height	6.8 cm
Depth	8 cm
Net weight	0.571 kg
Gross weight	0.889 kg
Voltage	230 Volt
Max. wattage	1 Watt
Protection class	I
Material	stainless steel 304
Colour	stainless steel brushed
Way of mounting	recessed wall mounting
Remark 1	Mounting pot included
Remark 2	Energy labels in your language are available in the Service Area sub point Download
Average lifespan	20000 Hours
Colour temperature	3000 Kelvin
Colour rendering index	>80
Luminous flux	60 lm
Suitable for lamps from EEC	A
Suitable for lamps up to EEC	A++
Light distribution type 1	direct



With the weather-resistant and stainless steel-made recessed luminaire BRICK LED 16, the incorporated SMD LED are covered by a satined glass pane. Available in different colour versions it is rated IP54 making it suitable for outdoor use. The electrical connection is made directly to 230V mains supply. An appropriate installation housing is included. This luminaire contains built-in LED lamps. EEK: A - A++. The lamps cannot be changed in the luminaire.