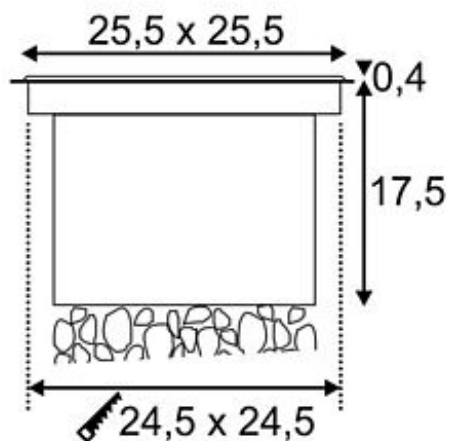


## DASAR LED SQUARE recessed ground spot

asymmetrically, stainless steel 316, 28W, 3.000K

Article number	229383
Catalogue	BIG WHITE 2015, Page 678
Type of lamp	LED lamp
Lamp	Philips Fortimo LED SLM Module
Number of light sources	1
Lamp included	Yes
Installation length	24.5 cm
Installation width	24.5 cm
Installation depth	17.5 cm
Length	25.5 cm
Width	25.5 cm
Height	14.5 cm
Net weight	6.003 kg
Gross weight	0.966 kg
Voltage	230 Volt
Max. wattage	34 Watt
Protection class	I
Beam angle	45 Degree
Material	aluminium / stainless steel 316
Colour	stainless steel
Way of mounting	recessed ground mounting
Remark 1	Asymmetrical reflector
Remark 2	Energy labels in your language are available in the Service Area sub point Download
Colour temperature	3000 Kelvin
Colour rendering index	80
Luminous flux	1620 lm
Suitable for lamps from EEC	A
Suitable for lamps up to EEC	A++
Light distribution type 1	direct



Light distribution  
type 2

indirect

Light distribution  
type 3

axisymmetric

The high-voltage LED recessed ground fitting DASAR LED SQUARE with a square stainless steel bezel and partly frosted glass cover is equipped with a high-performance LED module from Philips. Being rated IP67 and constructed for indirect light emission, DASAR is suitable for exterior use. The electrical connection is made directly to 230V mains via its incorporated LED driver. A mounting housing is included for simplified mounting. This luminaire contains built-in LED lamps. EEK: A - A++. The lamps cannot be changed in the luminaire.