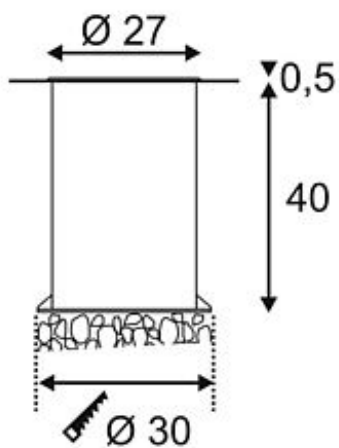


## DASAR 260 UNI recessed ground luminaire

round, stainless steel 316, E27, max. 24W, IP67

Article number	229210
Catalogue	BIG WHITE 2015, Page 676
Type of lamp	Conventional lamp
Lamp	Energy-saving bulb E27 max. 24W
Lampholder / Socket	E27
Number of light sources	1
Lamp included	No
Installation diameter	24.4 cm
Installation depth	40 mm
Diameter	27 cm
Net weight	6.08 kg
Gross weight	3.824 kg
Voltage	230 Volt
Max. wattage	24 Watt
Protection class	I
Material	aluminium / stainless steel 316
Colour	stainless steel
Way of mounting	recessed ground mounting
Remark 1	Mounting pot included. Maximum cable diameter 11 mm
Remark 2	Weight capacity 2 tons. Through-wiring is possible
Remark 3	Maximum measures energy saver (Ø / L): 5,2 / 17,3 cm
Remark 4	Energy labels in your language are available in the Service Area sub point Download
Suitable for lamps from EEC	A
Suitable for lamps up to EEC	A+
Light distribution type 1	direct
Light distribution type 3	asymmetric



The walkable high-voltage ground luminaire with a round stainless steel cover and clear glass. Rated IP67 it is suitable for outdoor use. The electrical connection is made directly to 230V mains supply. For simplified mounting, a suitable installation housing is included. Through-wiring is possible. We additionally offer a suitable diffuser insert. This luminaire is compatible with bulbs of the energy classes: A - A+