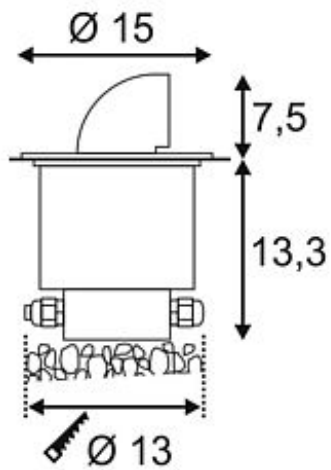


GIMBLE OUT 90 recessed ground luminaire

anthracite, MR16, max. 35W, IP67

Article number	228365
Catalogue	BIG WHITE 2015, Page 669
Type of lamp	Conventional lamp
Lamp	MR16 12V max. 35W
Lampholder / Socket	GX5,3
Number of light sources	1
Lamp included	No
Installation diameter	13 cm
Installation depth	13.5 cm
Tilt range	85 Degree
Rotation range	350 Degree
Height	21 cm
Diameter	15 cm
Net weight	0.868 kg
Gross weight	0.415 kg
Voltage	12 Volt
Max. wattage	35 Watt
Protection class	III
Material	aluminium / glass
Colour	anthracite
Way of mounting	recessed ground mounting
Remark 1	Maximum cable diameter 9 - 12 mm
Remark 2	Adjustable during the installation
Remark 3	Energy labels in your language are available in the Service Area sub point Download
Suitable for lamps from EEC	C
Suitable for lamps up to EEC	A+
Light distribution type 1	direct
Light distribution type 3	rotationally symmetric



The GIMBLE OUT 90 recessed ground luminaire in round shape with glass cover is equipped with a G5.3 lampholder for halogen lamps of the same type. The head of the lamp can be swivelled by 90° out of the housing. Rated IP67 it is suitable for outdoor use. Available in different colour versions a suitable transformer providing 12V alternating current is required for operation. The fitting is ready for through-wiring and includes a suitable installation housing. This luminaire is compatible with bulbs of the energy classes: C - A+