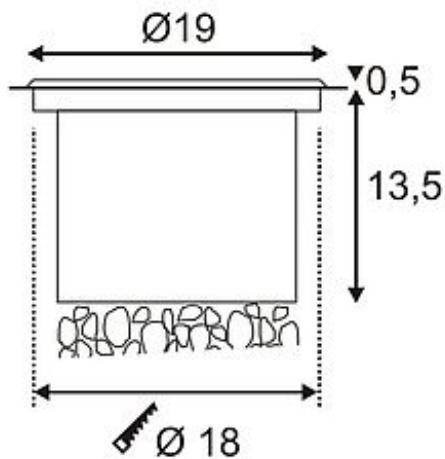


## ADJUST QRB111 recessed ground luminaire

square, stainless steel 304, max. 50W, IP67

Article number	227092
Catalogue	BIG WHITE 2015, Page 675
Type of lamp	Conventional lamp
Lamp	QRB 111 12V max. 50W
Lampholder / Socket	G53
Number of light sources	1
Lamp included	No
Installation diameter	18 cm
Installation depth	14 cm
Tilt range	40 Degree
Rotation range	90 Degree
Length	19 cm
Width	19 cm
Depth	13.5 cm
Net weight	2.402 kg
Gross weight	0.652 kg
Voltage	230 Volt
Max. wattage	50 Watt
Protection class	I
Material	aluminium / stainless steel 304
Colour	stainless steel
Way of mounting	recessed ground mounting
Remark 1	Conventional transformer incorporated. Mounting pot included
Remark 2	Weigth capacity 1,5 tons
Remark 3	Can be rotated at 90° and swivelled at 20°
Remark 4	Energy labels in your language are available in the Service Area sub point Download
Suitable for lamps from EEC	D
Suitable for lamps up to EEC	A+
Light distribution type 1	direct



Light distribution  
type 3

rotationally symmetric

Walkable, low-voltage recessed ground luminaire with square stainless steel cover and partially satined glass. Rated IP67, it is suitable for outdoor use. To ensure accurate illumination, the lamp is adjustable. The electrical connection is made directly to 230V mains supply via the incorporated transformer. For simplified mounting, an installation housing is included. This luminaire is compatible with bulbs of the energy classes: D - A+